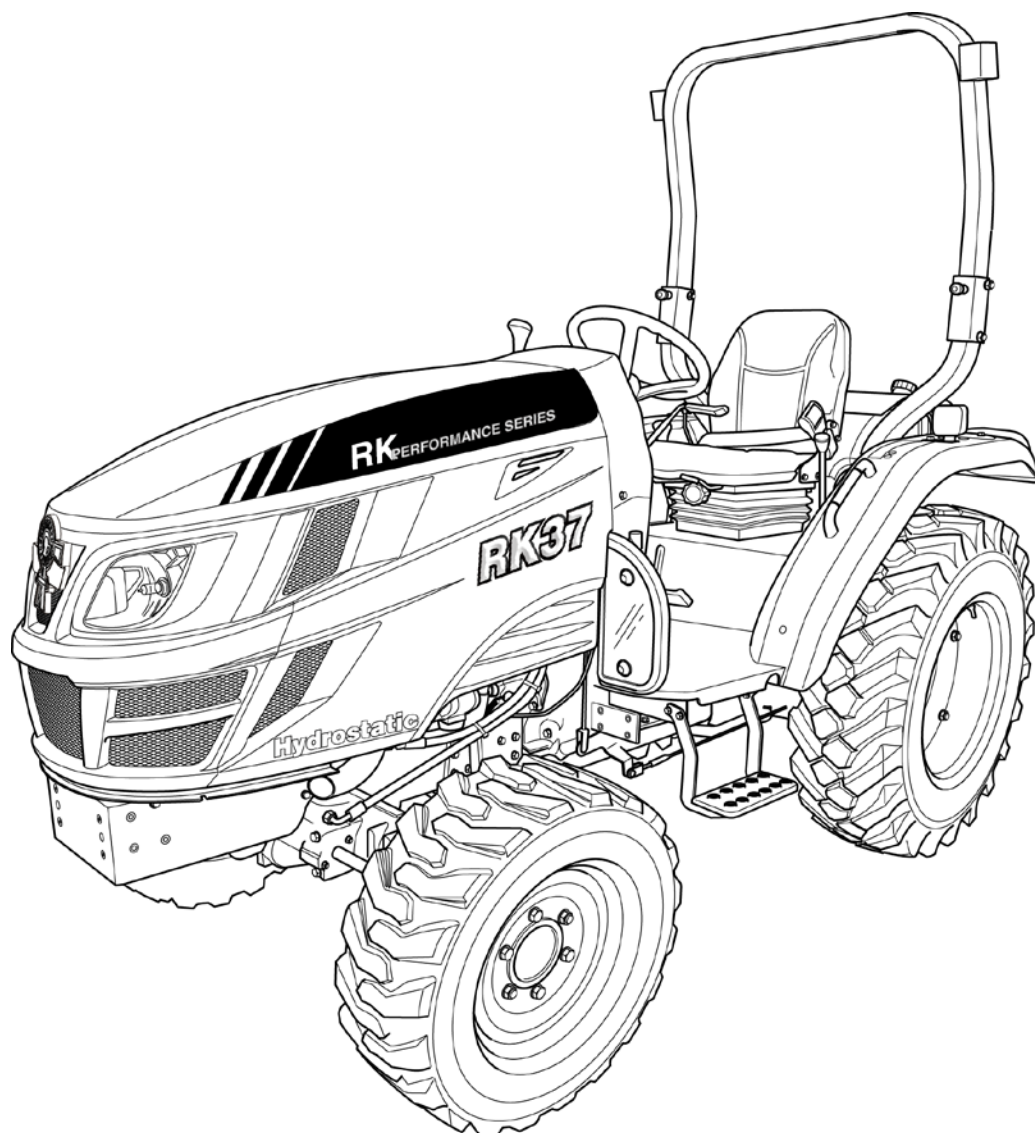


Parts Catalogue

RK37H



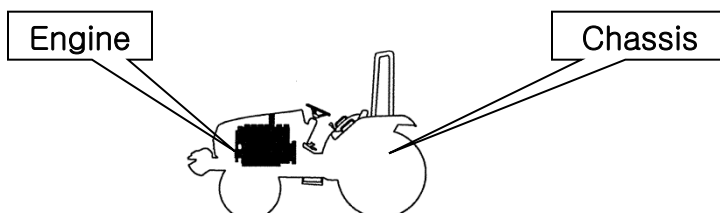
Important tips of Parts Catalogue

We thank you for your purchasing our product, manufactured under strict quality control, by gathering plenty of experiences and new technology, designed for a comfort and pleasant work.

1. Part Composition

This catalogue deals with engine and chassis.

Detailed classifications are listed in the following page.



2. For locating parts easily, Please Note:

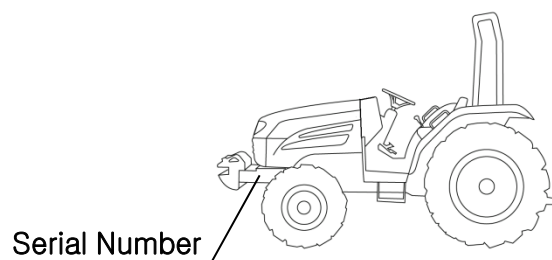
If you know the assembly where the part is used.

- Refer to the relevant figure from the identifying group symbol illustration,
- Locate the relevant chapter
- Refer to the particular chapter desired.

3. For ordering parts

To obtain spare parts please contact your nearest dealer and give him the details listed below.

- ①Tractor Model : Tractor
- ②Tractor Serial Number : JBP0331HT61170000
- ③Part Number : 13019400020
- ④Description : Air cleaner assembly
- ⑤Quantity required: 1



4. For ordering PARTS CATALOGUE

This is Priced item and one is to order the same on part No. 13019400020

This supersedes all our editions.

Note)When replacing parts, please use original spare parts to be sure of the performance and the longer life of the product

※The information in this catalogue may at any time be modified without a prior notice for the improvement of performance, please consult our spare parts dept. for the detailed inquiry.

5. How to use parts catalogue

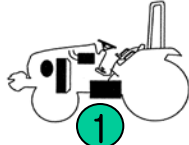
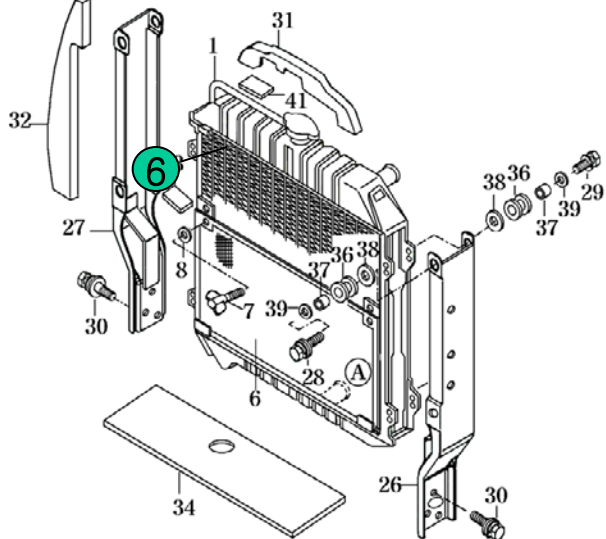
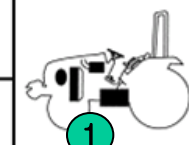
FIG 021 ②	RADIATOR ③	P1 ④	Year ⑤ 2016	
				
NOTE	⑬			

FIG 021 ②	RADIATOR ③	P1 ④	Year ⑤ 2016				
KEY NO ⑥	PART NO ⑦	PART NAME ⑧	SPEC ⑨	QTY ⑩	REPAIR ⑪	E/G SERIAL NO ⑫	REMARKS ⑭
023 001	14571042001	RADIATOR SET		1			
023 002	14571042101	RADIATOR SET		1			
023 003	14571042171	SHROUD		1			
023 006	1457104201HB	NET COMP					
023 007	V271042012	BOLT, WING	M6X12				
NOTE		⑬					

① Group Indication : Indicate the relevant location of the part with a symbol illustration.

② Figure Number: Indicate the relevant section of the machine with a figure number.

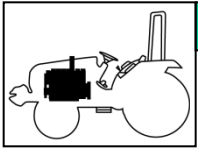
③ Section Name : Indicate the section name of the machine

④ Section Page : Page number of the section in this catalogue.

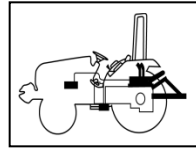
⑤ Date : Show the Year of the section made or updated

- ⑥ Key number : Indicating number of each parts in the illustration.
- ⑦ TYM Part Number : Unique part number maintained in our system
 The part number starting with V or W means it is TYM's standard part
 The alphabet at the end of part number means the status of material or the color of paint
 Legend : M:Machining, DG:Dark Gray, BR:Bright Red, SW:Summer White, DD:Heat proof Black, PB:Pure Black, TY: Tangerine Yellow, GB:Glossy Black, JY:JCB Yellow, MS:JCB Silver etc.
- ⑧ JCB Part Number : Unique part number maintained in JCB
- ⑨ Description : Description of a part, Abbreviation means as follows.
- Indicate the mixture condition of a part
 - ASSY : Assembly with a mixture of several parts, so can be broke up retaining their original form
 - COMP : Assembly with a mixture of several parts, but can not be broke up retaining their original form
 - SUB : mean the same as ASSY but used in lower level in aid.
 - SET : Part consist of ASSY, COMP, and part(s) as a group
 - Indicate the location of a part
 - LH : Left, RH : Right, FR : Front, RR : Rear, UPR : Upper, LOW : Lower
- ⑩ Type : Type of the standard items like bolt or nut
- ⑪ Quantity : Total quantity of the part referred to in the page.
 Symbol below indicate options. So, show the quantity of each option.
 Note) AR means as requested quantity.
- ⑫ Repair Parts consumption frequency class: indicate the level of a part in aid of stocking spares, anticipating the service requirements.
- A :Fast moving part (frequently required)
 - B :Medium moving part (sometimes required)
 - C :Slow moving part (rarely required)
- ⑬ Modification :
- Year/Month~ : From which the change starts
 - ~Year/Month : To which the part installed
- ⑭ Notes : explain some reference data
- ⑮ Remark : indicate reference data or abbreviation in the content.

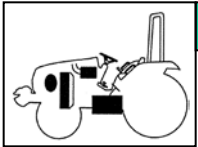
ENGINEERING GROUP INDEX



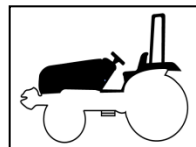
1 ENGINE



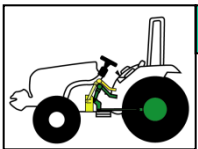
6 HYDRAULICS & 3-POINT LINK



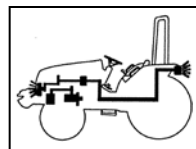
2 ENGINE ACCESSORIES & CONTROL



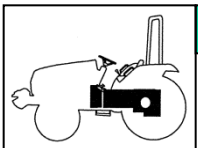
7 SHEET METAL & ROPS



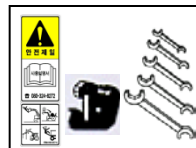
3 CLUTCH, BRAKE, STEERING



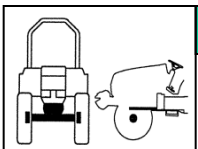
8 ELECTRICALS & HARNESS



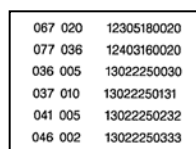
4 TRANSMISSION & REAR AXLE



9 WEIGHT, LABEL, TOOLS



5 FRONT AXLE, SUPPORTER & DRIVE SHAFT



10 NUMERICAL INDEX

067 020	12305180020
077 036	12403160020
036 005	13022250030
037 010	13022250131
041 005	13022250232
046 002	13022250333

CONTENTS

ENGINE

1 ENGINE

FIG 101 CYLINDER BLOCK-----	04
FIG 102 GEAR HOUSING-----	06
FIG 103 FLYWHEEL HOUSING & OIL SUMP-----	08
FIG 104 CYLINDER HEAD & BONNET-----	10
FIG 105 SUCTION MANIFOLD-----	14
FIG 106 EXHAUST MANIFOLD-----	16
FIG 107 DIESEL PARTICULATE FILTER(DPF)-----	18
FIG 108 CAMSHAFT & DRIVING GEAR-----	20
FIG 109 CRANKSHAFT & PISTON-----	22
FIG 110 LUB.OIL SYSTEM-----	24
FIG 111 COOLING WATER SYSTEM-----	26
FIG 112 FUEL SUPPLY PUMP-----	28
FIG 113 FUEL INJECTION VALVE-----	30
FIG 114 FUEL PIPE-----	32
FIG 115 STARTER MOTOR-----	34
FIG 116 GENERATOR-----	36
FIG 117 ELECTRONIC CONTROL UNIT(ECU)-----	38
FIG 118 ELECTRIC PARTS-----	40

CHASSIS

2 ENGINE ACCESSORIES & CONTROL

FIG 201 AIR CLEANER-----	48
FIG 202 RADIATOR-----	50
FIG 203 MUFFLER-----	52
FIG 204 FUEL TANK & HOSE -----	54
FIG 205 OIL COOLER-----	56

3 CLUTCH,BRAKE,STEERING

FIG 301 FLYWHEEL & CLUTCH-----	62
FIG 302 BRAKE PEDAL-----	64
FIG 303 BRAKE-----	66
FIG 304 FRONT WHEEL MOUNTING-----	68
FIG 305 REAR WHEEL MOUNTING-----	70
FIG 306 STEERING WHEEL & DASH COVER-----	72
FIG 307 STEERING VALVE & TILT-----	74
FIG 308 STEERING CYLINDER-----	76

4 TRANSMISSION & REAR AXLE

FIG 401 TRANSMISSION FRONT CASE-----	82
FIG 402 HST-----	84
FIG 403 MID CASE-----	86
FIG 404 4WD DRIVE GEAR-----	88
FIG 405 INPUT GEAR-----	90
FIG 406 SUB CHANGE GEARS-----	92

FIG 407 PINION GEARS-----	94
FIG 408 P.T.O DRIVE SHAFT-----	96
FIG 409 P.T.O CHANGE GEARS-----	98
FIG 410 DIFF LOCK-----	100
FIG 411 TRANSMISSION REAR CASE-----	102
FIG 412 REAR AXLE HOUSINGS(1)-----	104
FIG 413 REAR AXLE HOUSINGS(2)-----	106
FIG 414 MID P.T.O GEARS-----	108
FIG 415 SUB CHANGE LEVER-----	110
FIG 416 FORWARD & REVERSE CONTROL LINKAGE-----	112
FIG 417 CRUISE CONTROL KIT(OPTION)-----	114
FIG 418 4WD CHANGE LEVER-----	116

5 FRONT AXLE

FIG 501 FRONT AXLE BRACKET -----	122
FIG 502 FRONT DIFFERENTIAL GEARS -----	124
FIG 503 FRONT AXLE HOUSING-----	126
FIG 504 FRONT GEAR CASE (1)-----	128
FIG 505 FRONT GEAR CASE (2)-----	130

6 HYDRAULICS & 3-POINT LINK

FIG 601 GEAR PUMP-----	136
FIG 602 CYLINDER CASE -----	138
FIG 603 LIFT ARM-----	140
FIG 604 CYLINDER-----	142
FIG 605 POSITION LINK(1)-----	144
FIG 606 POSITION LINK(2)-----	146
FIG 607 CONTROL VALVE-----	148
FIG 608 POSITION LEVER-----	150
FIG 609 HYDRAULIC PIPE(1)-----	152
FIG 610 HYDRAULIC PIPE(2)-----	154
FIG 611 EXTERIOR HYD.VALVE-----	156
FIG 611-1 VALVE Kit-----	156
FIG 612 3-POINT LINK-----	158
FIG 613 HITCH & COVER-----	160

7

SHEET METAL & R.O.P.S

FIG 701 BONNET (1)	166
FIG 702 BONNET (2)	168
FIG 704 FENDER, REAR FRAME & MUDGUARD	170
FIG 705 ROPS	174
FIG 706 DASHPANEL	176
FIG 707 FLOOR	178
FIG 708 SEAT	180
FIG 709 FLOOR MOUNTING	182

8

ELECTRICALS & HARNESS

FIG 801 BATTERY & MOUNTING	188
FIG 802 LIGHTS	190
FIG 803 INSTRUMENT PANEL	192
FIG 804 ELECTRIC SYSTEM	194
FIG 805 HARNESS (1)	196
FIG 806 HARNESS (2)	198

9

WEIGHT, LABEL, TOOLS

FIG 901 TOOL & ACCESSORY	204
FIG 902 LABEL	206
FIG 903 WEIGHT	210

10

NUMERICAL INDEX

ENGINE	215
CHASSIS	219

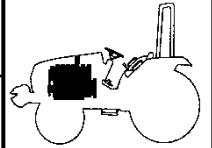
FIG 101

CYLINDER BLOCK

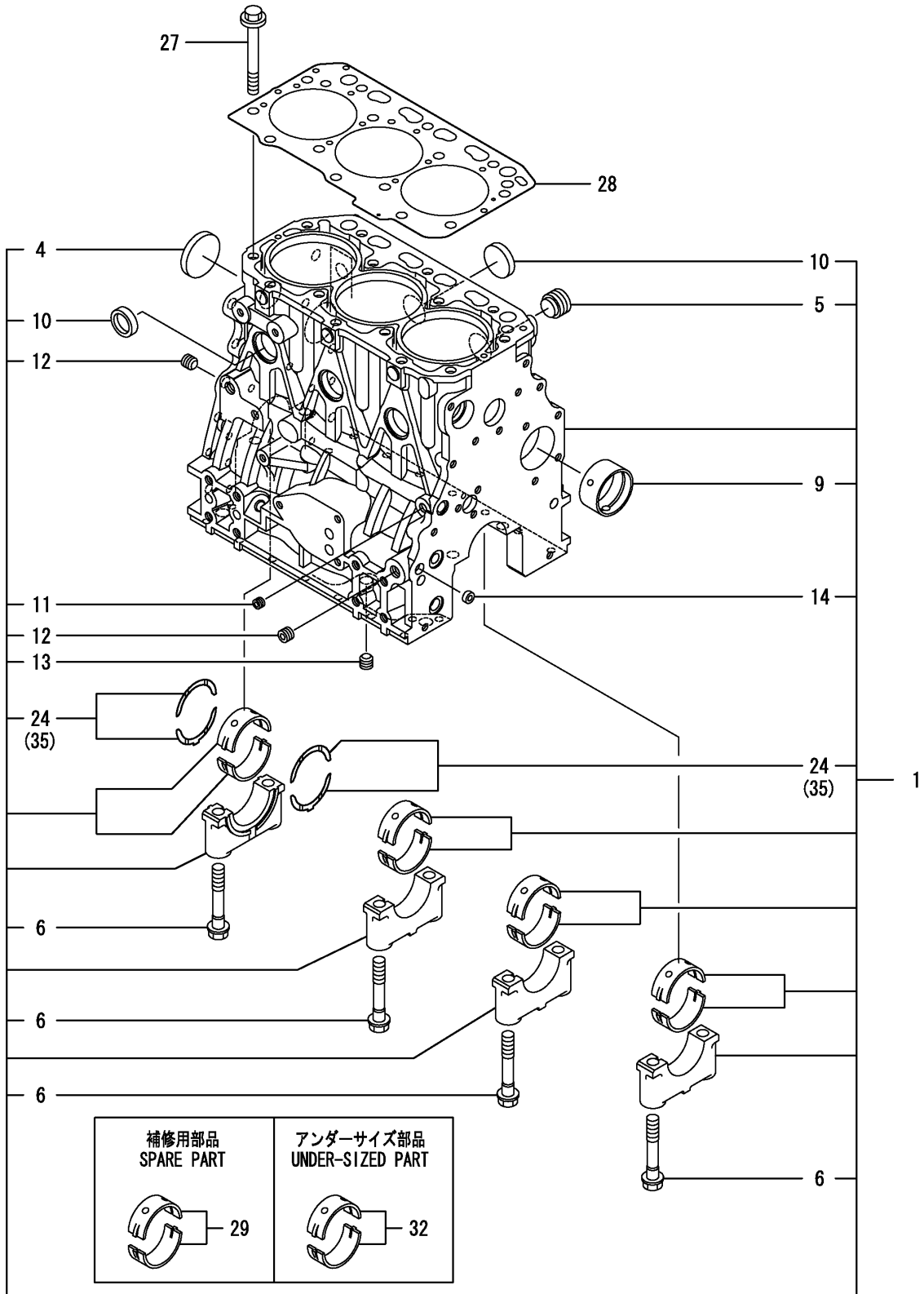
P1

Year

2017



RK37



NOTE

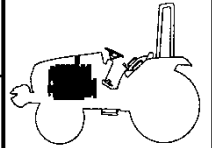
FIG 102

GEAR HOUSING

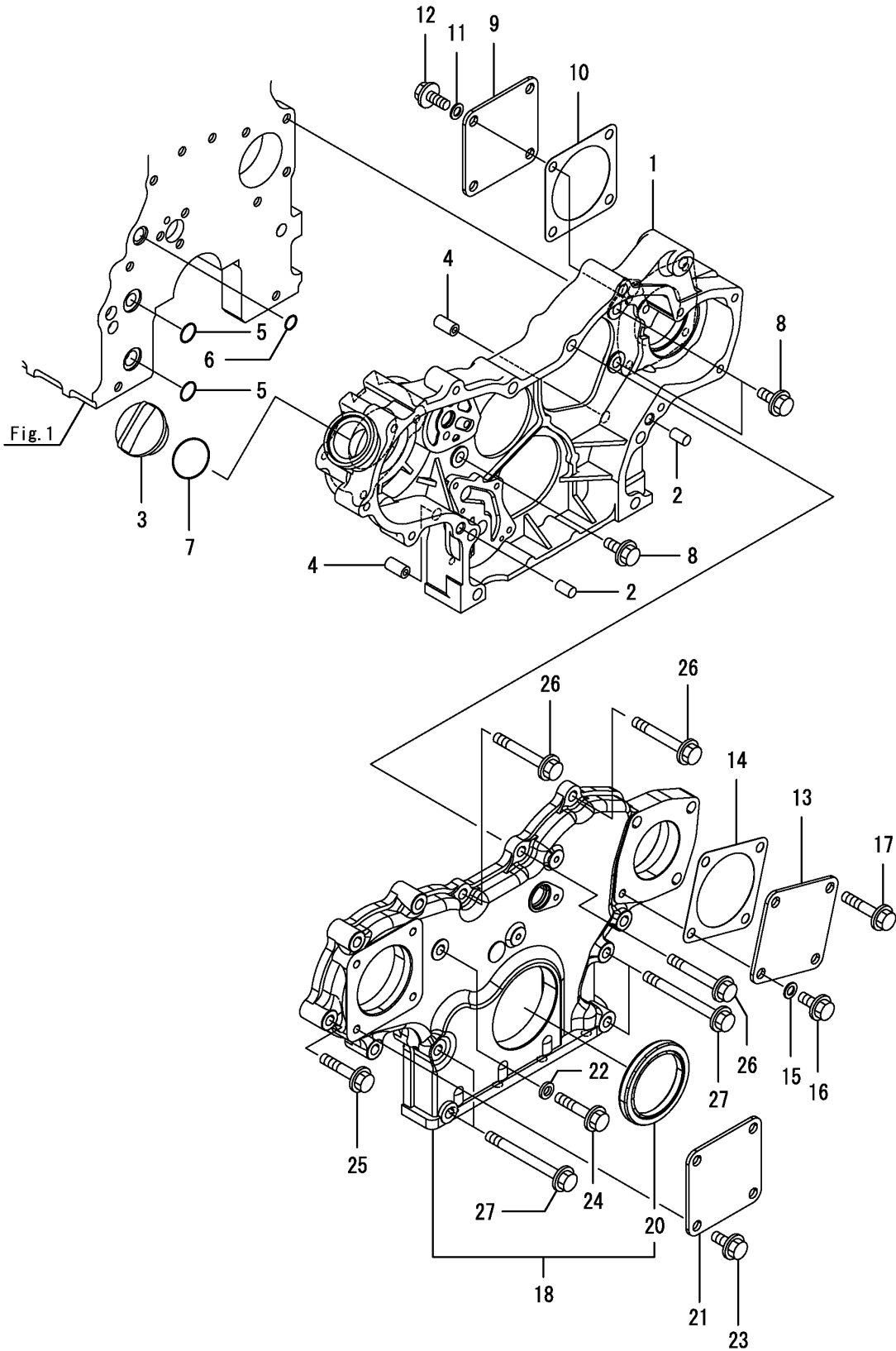
P1

Year

2017



RK37



NOTE

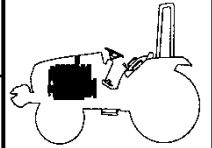
FIG 103

FLYWHEEL HOUSING & OIL SUMP

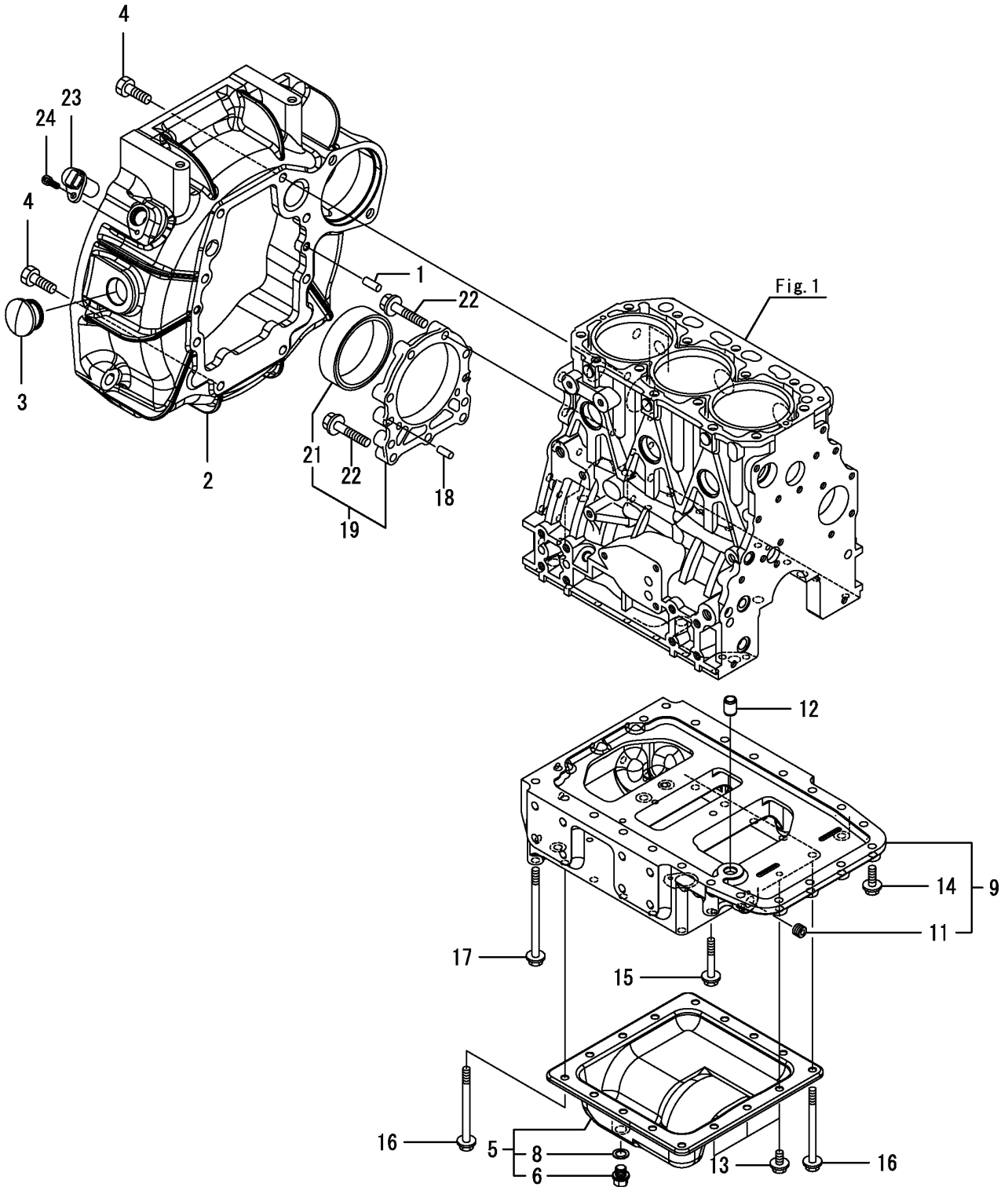
P1

Year

2017



RK37



NOTE

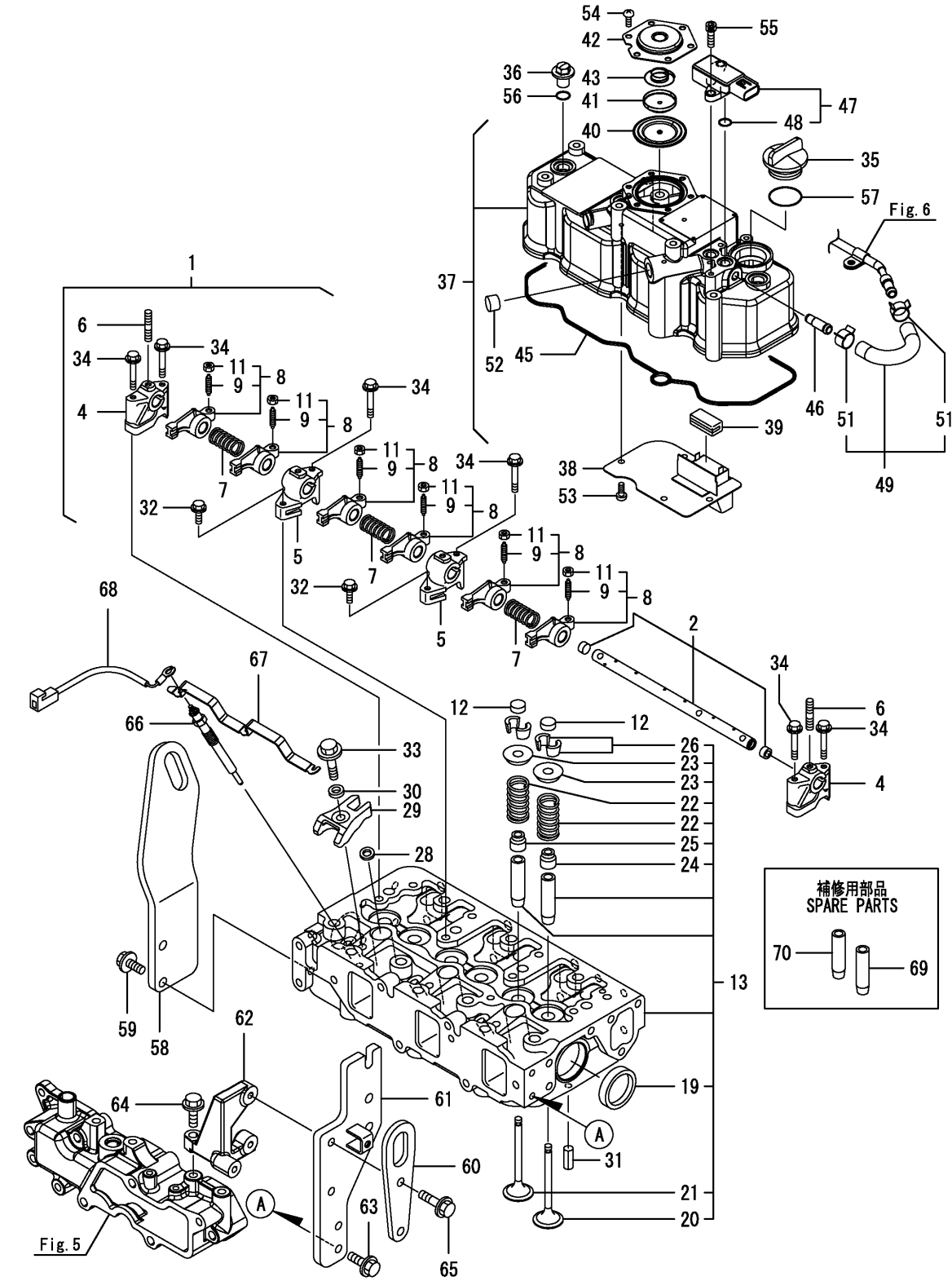
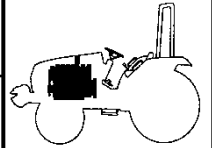
FIG 104

CYLINDER HEAD & BONNET

P1

Year

2017



補修用部品
SPARE PARTS

70 — 69

NOTE

FIG 104		CYLINDER HEAD & BONNET			P1	Year	
RK37						2017	
KEY NO.	PART NO.	DESCRIPTION	SPEC.	QTY.	REPAIR	ENG.SERIAL NO.	REMARKS
104	1	129004-11241	SHAFT ASSY, ROCKER				
104	2	129004-11251	SHAFT, ROCKER ARM				
104	4	119802-11260	SUPPORT, ROCKER ARM				
104	5	119802-11270	SUPPORT, ROCKER ARM				
104	6	119802-11280	BOLT, STUD				
104	7	129150-11280	SPRING, ROCKER				
104	8	129004-11650	ARM ASSY, ROCKER				
104	9	129150-11230	SCREW, VALVE ADJUST				
104	11	129150-11750	NUT, M8				
104	12	129150-11370	CAP, VALVE				
104	13	129A00-11710	HEAD ASSY, CYLINDER				
104	19	27241-400000	PLUG, 40				
104	20	129005-11100	VALVE, SUCTION				
104	21	129100-11112	VALVE, EXHAUST				
104	22	129795-11120	SPRING, VALVE				
104	23	129795-11180	RETAINER, SPRING				
104	24	124460-11340	SEAL, VALVE STEM				
104	25	129A00-11340	SEAL, VALVE STEM				
104	26	27310-080001	COTTER, 8				
104	28	129978-11871	GASKET,INJECTOR				
104	29	129A00-11900	RETAINER, INJECTOR				
104	30	120270-54410	WASHER, INJECTOR				
104	31	22351-060012	PIN, SPRING 6.0X12				
104	32	26106-080252	BOLT, M8X 25 PLATED				
104	33	26106-080352	BOLT, M8X 35 PLATED				
104	34	26106-080502	BOLT, M8X 50 PLATED				
104	35	124160-01751	CAP, FILLER				
104	36	124160-11360	KNOB				
104	37	129A00-11360	BONNET ASSY				
104	38	129004-03010	PLATE, BAFFLE				
104	39	129150-03070	BAFFLE, BREATHER				
104	40	123907-03100	DIAPHRAGM				
104	41	123907-03110	PLATE				
104	42	123907-03120	PLATE, BREATHER				
104	43	123907-03140	SPRING, DIAPHRAGM				
104	45	129A00-11310	GASKET, BONNET				
104	46	129A00-11330	JOINT				
104	47	129978-12700	SENSOR,PRESSURE				
104	48	129A00-12780	O-RING,PRES SENSOR				
104	49	129A00-13360	HOSE ASSY, PRES EXH				
104	51	129A00-13380	CLIP, HOSE 14				
104	52	119640-61400	PLUG				
104	53	22857-500100	SCREW, 5X10				
104	54	22857-500100	SCREW, 5X10				
104	55	26450-060162	BOLT, M6X 16				
104	56	24311-000120	O-RING, 1AP12.0				
104	57	24311-000320	O-RING, 1AP32.0				
104	58	129A00-07900	LIFTER, ENGINE				
NOTE							

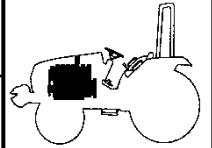
FIG 104

CYLINDER HEAD & BONNET

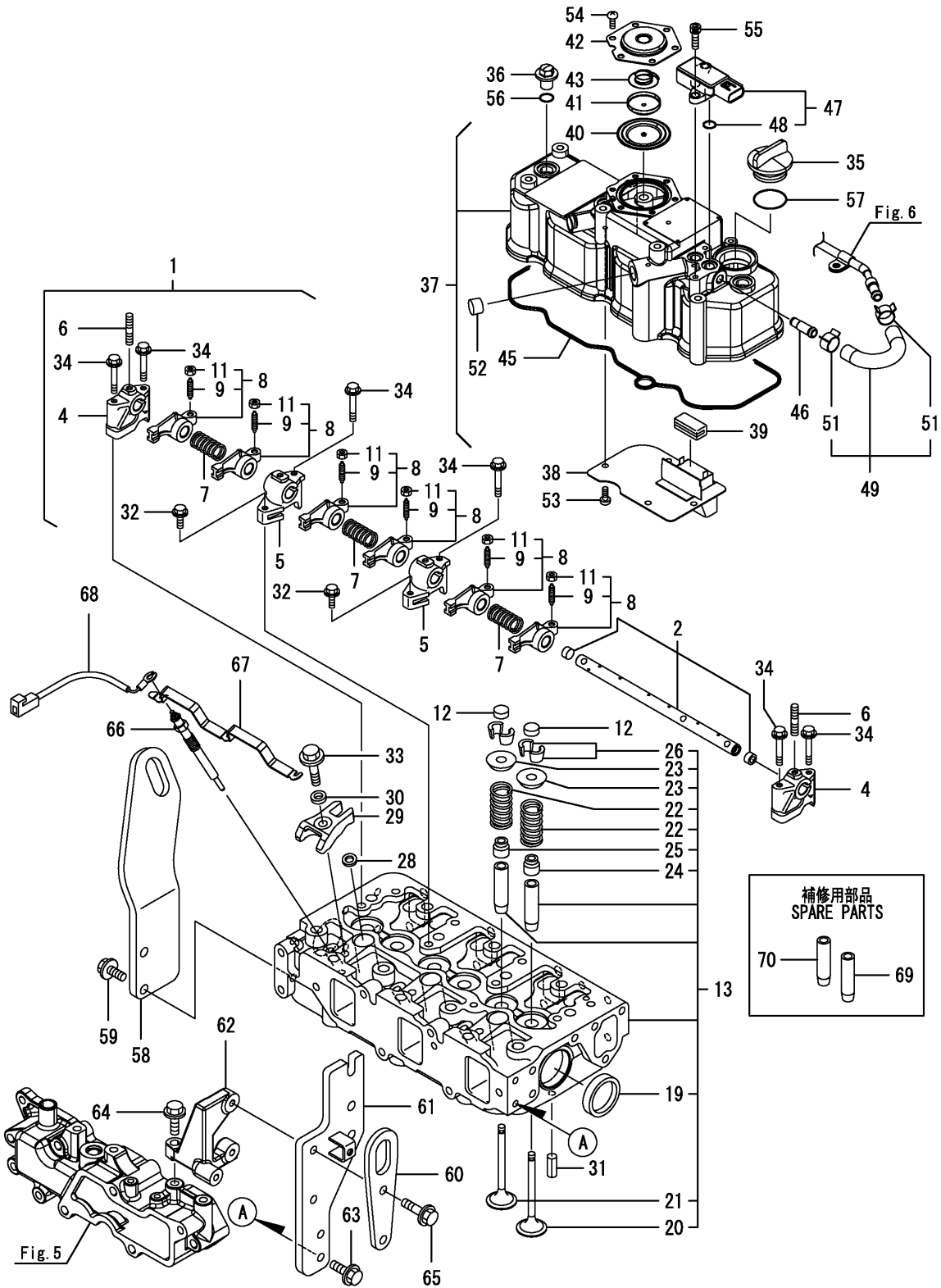
P2

Year

2017



RK37



NOTE

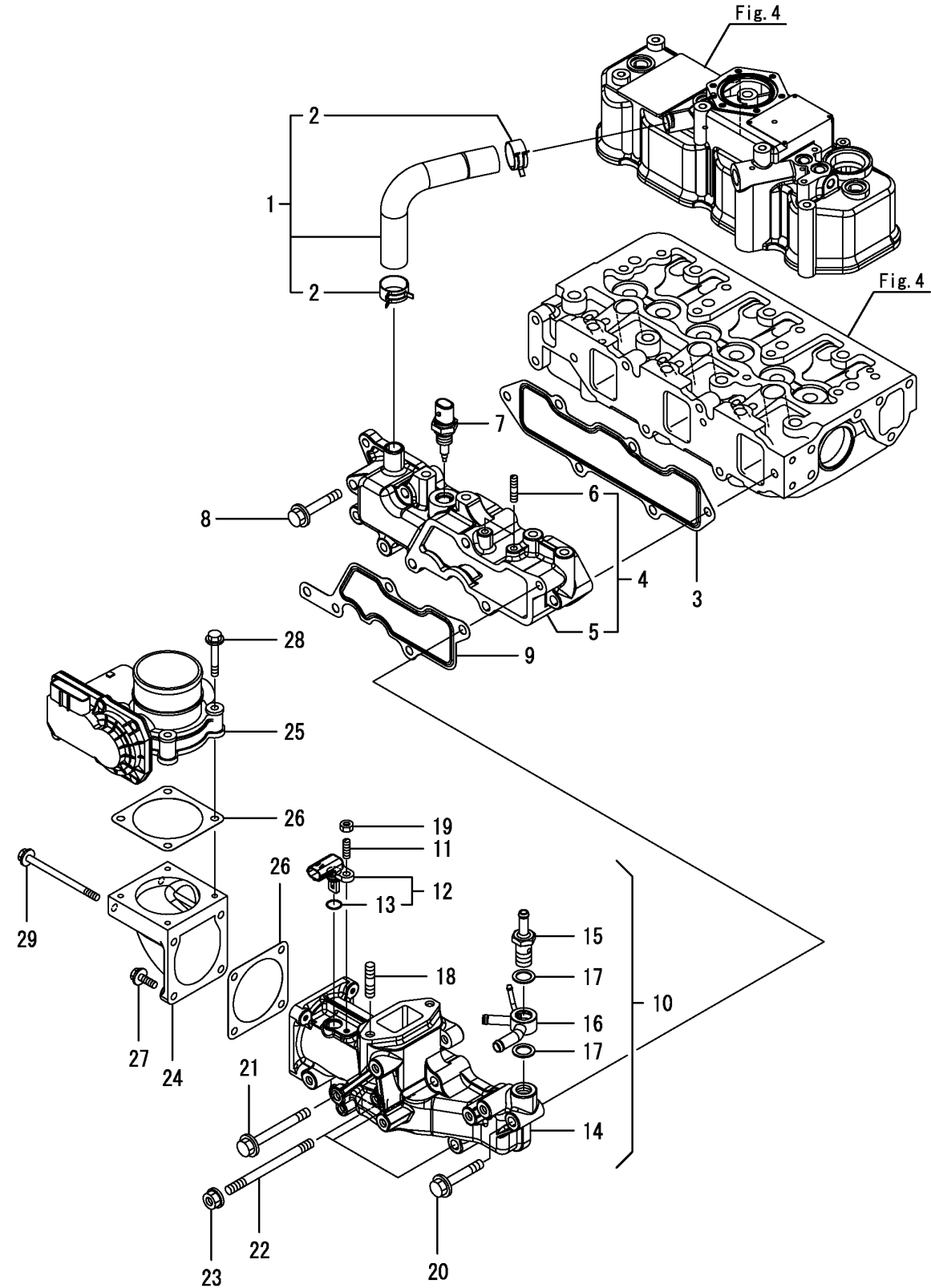
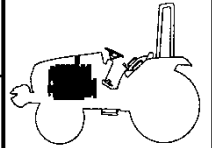
FIG 105

SUCTION MANIFOLD

P1

Year

2017



NOTE

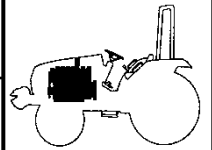
FIG 106

EXHAUST MANIFOLD

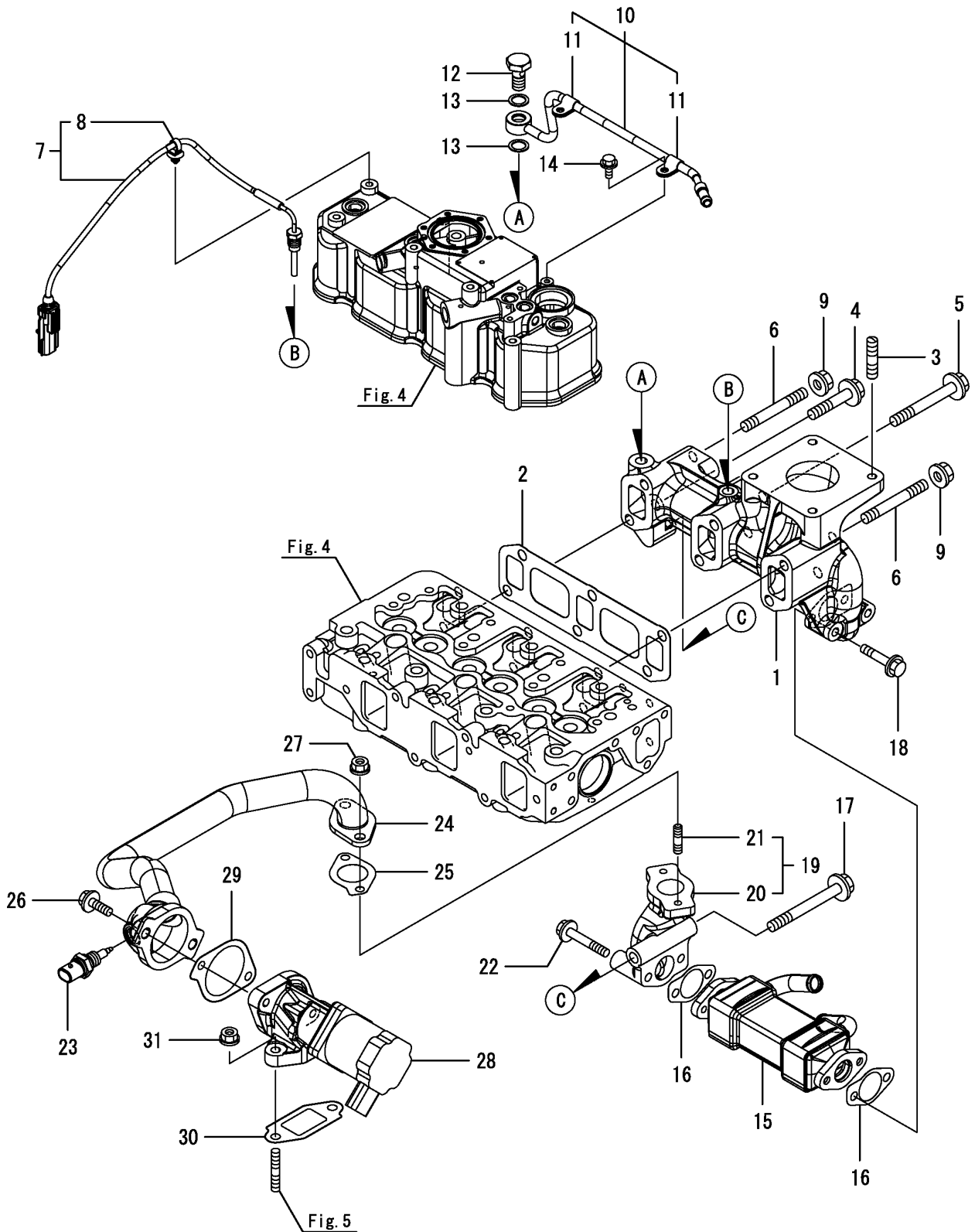
P1

Year

2017



RK37



NOTE

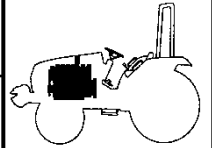
FIG 107

DIESEL PARTICULATE FILTER(DEF)

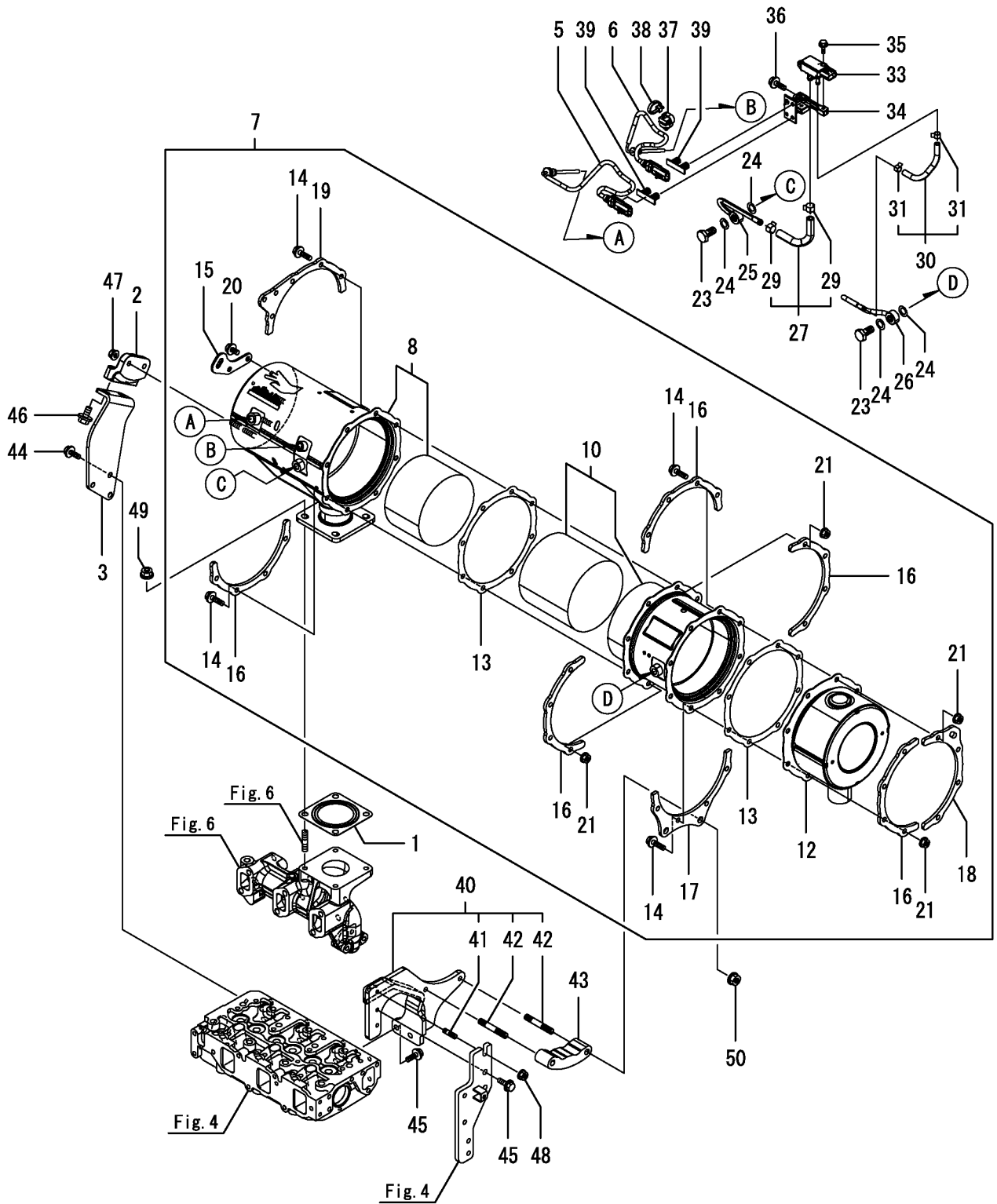
P1

Year

2017



RK37



NOTE


FIG 107		DIESEL PARTICULATE FILTER(DPF)				P1	Year	
RK37							2017	
KEY NO.	PART NO.	DESCRIPTION	SPEC.	QTY.	REPAIR	ENG.SERIAL NO.	REMARKS	
107	1	128300-13230	GASKET, SILENCER					
107	2	129A00-16820	STAY,DPF					
107	3	129A00-16830	STAY,DPF					
107	5	129C00-13940	SENSOR, EXH.TEMP					
107	6	129C00-13950	SENSOR, EXH.TEMP					
107	7	129A26-16000	DPF ASSY					
107	8	129A00-16210	CASE, DOC					
107	10	129A00-16410	CASE, SOOT FILTER					
107	12	129A00-16500	SILENCER, DPF					
107	13	129A00-16600	GASKET, DPF					
107	14	129A00-16610	BOLT, M8X28 10.9T					
107	15	129C01-16690	LIFTER, DPF					
107	16	129A00-16700	STIFFENER, DPF A					
107	17	129A00-16720	STIFFENER, DPF B					
107	18	129A00-16740	STIFFENER, DPF C					
107	19	129A00-16750	STIFFENER, DPF C					
107	20	26106-080142	BOLT, M8X 14 PLATED					
107	21	26306-080002	NUT, M8					
107	23	129A00-13350	BOLT, PIPE JOINT					
107	24	129A00-17311	GASKET,SENSOR					
107	25	129A00-17330	PIPE ASSY, SENSOR					
107	26	129A00-17360	PIPE ASSY, SENSOR					
107	27	129A00-17610	HOSE ASSY,PRES EXH					
107	29	129A00-17520	CLIP, HOSE					
107	30	129A00-17670	HOSE ASSY,PRES EXH					
107	31	129A00-17570	CLIP, HOSE					
107	33	129978-17700	SENSOR,PRESSURE					
107	34	129A00-17780	BRACKET, SENSOR					
107	35	26106-060162	BOLT, M6X 16 PLATED					
107	36	26106-080202	BOLT, M8X 20 PLATED					
107	37	129A00-91200	BAND CLIP					
107	38	129C00-91200	BAND					
107	39	129A00-91430	CLIP, CONNECTOR					
107	40	129A26-17360	STAY ASSY, DPF					
107	41	26216-080202	STUD, M8X 20					
107	42	26216-100552	STUD, M10X 55					
107	43	129A23-17370	SPACER, DPF					
107	44	26106-080162	BOLT, M8X 16 PLATED					
107	45	26106-080202	BOLT, M8X 20 PLATED					
107	46	26106-100202	BOLT, M10X 20 PLATED					
107	47	26306-080002	NUT, M8					
107	48	26306-080002	NUT, M8					
107	49	26306-100002	NUT, M10					
107	50	26306-100002	NUT, M10					
NOTE								

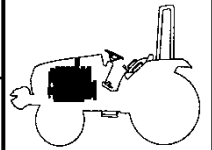
FIG 108

CAMSHAFT & DRIVING GEAR

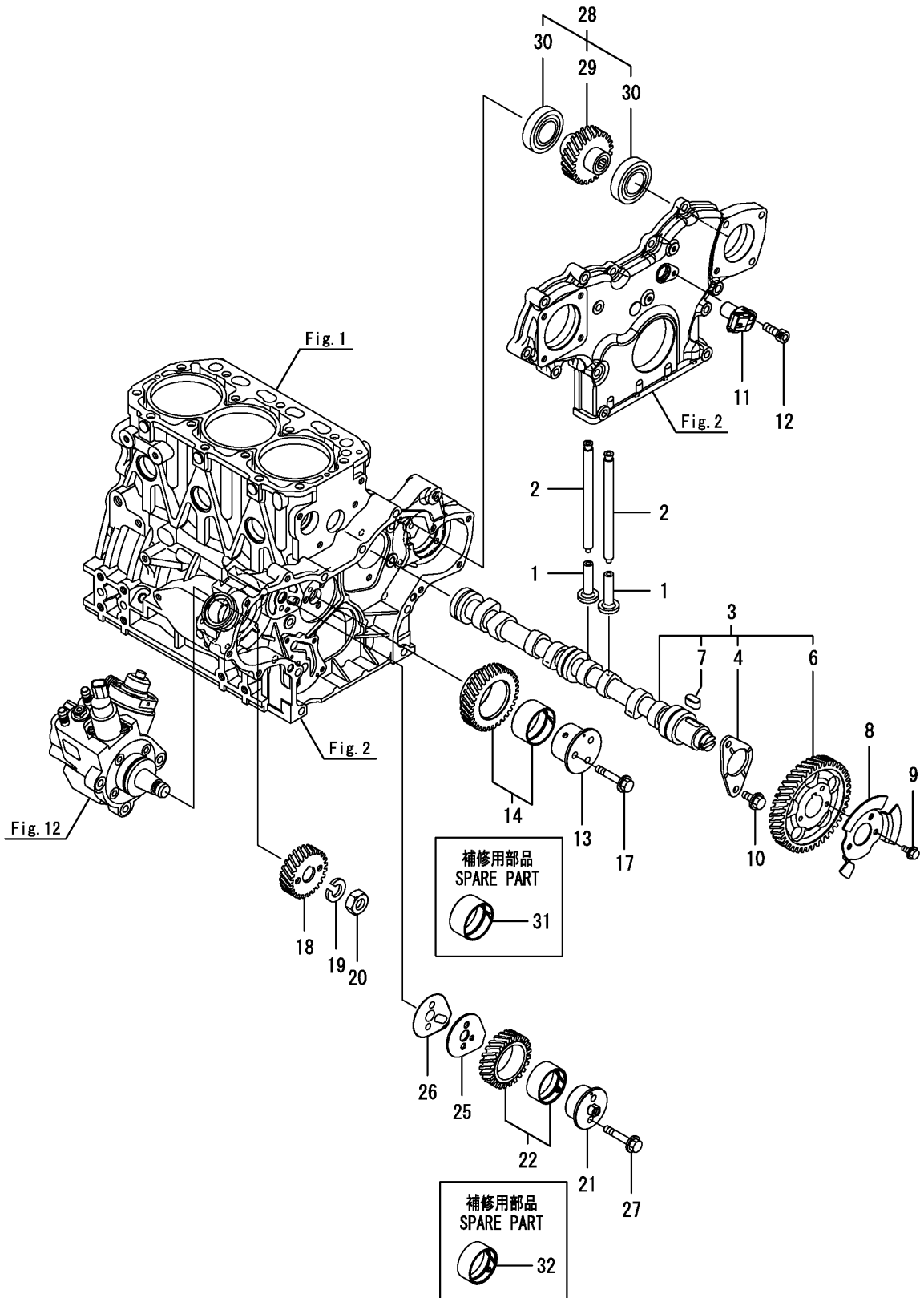
P1

Year

2017



RK37



NOTE

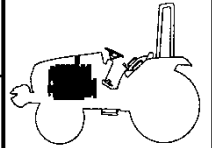
FIG 109

CRANKSHAFT & PISTON

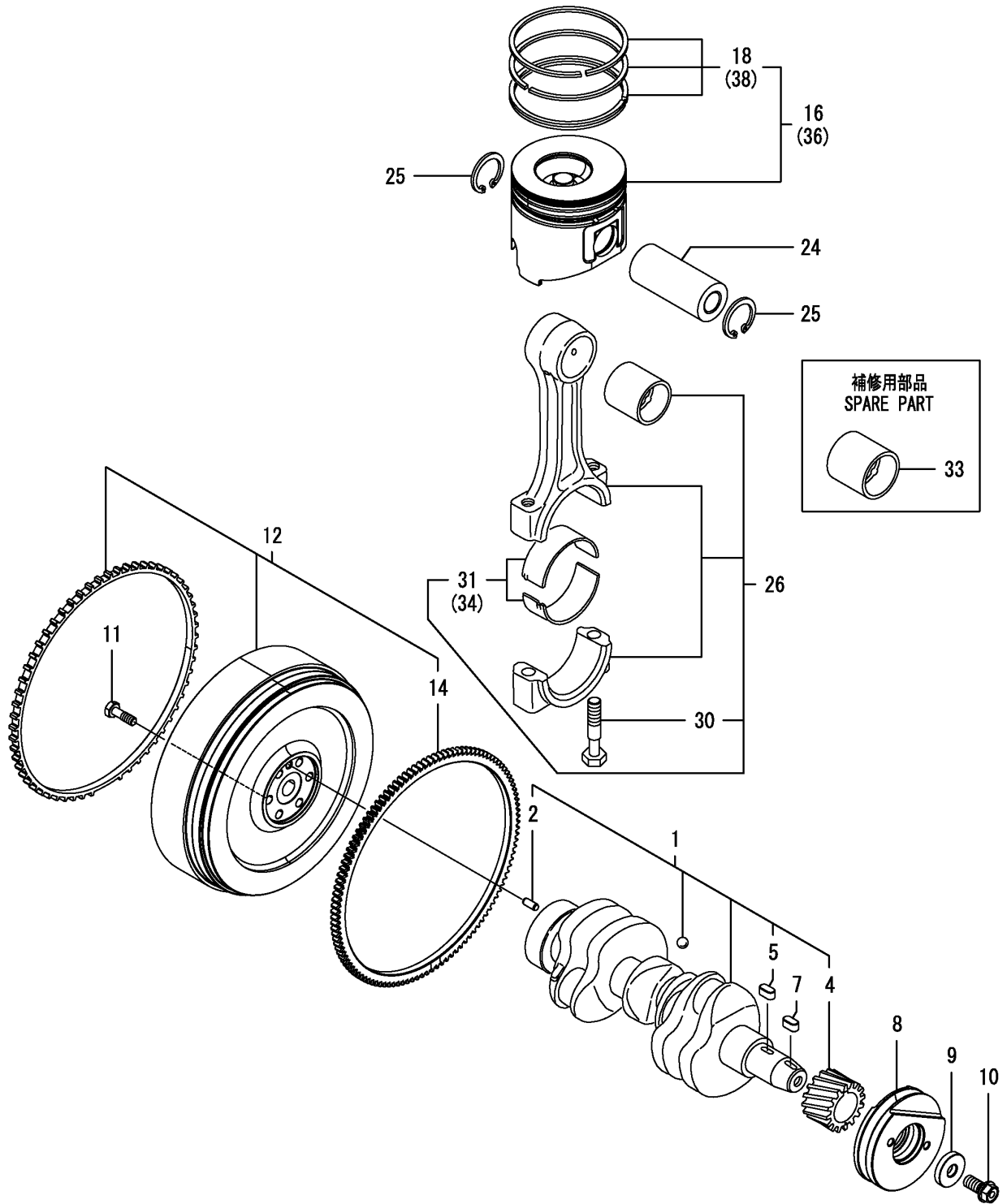
P1

Year

2017



RK37



NOTE

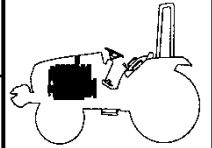
FIG 110

LUB. OIL SYSTEM

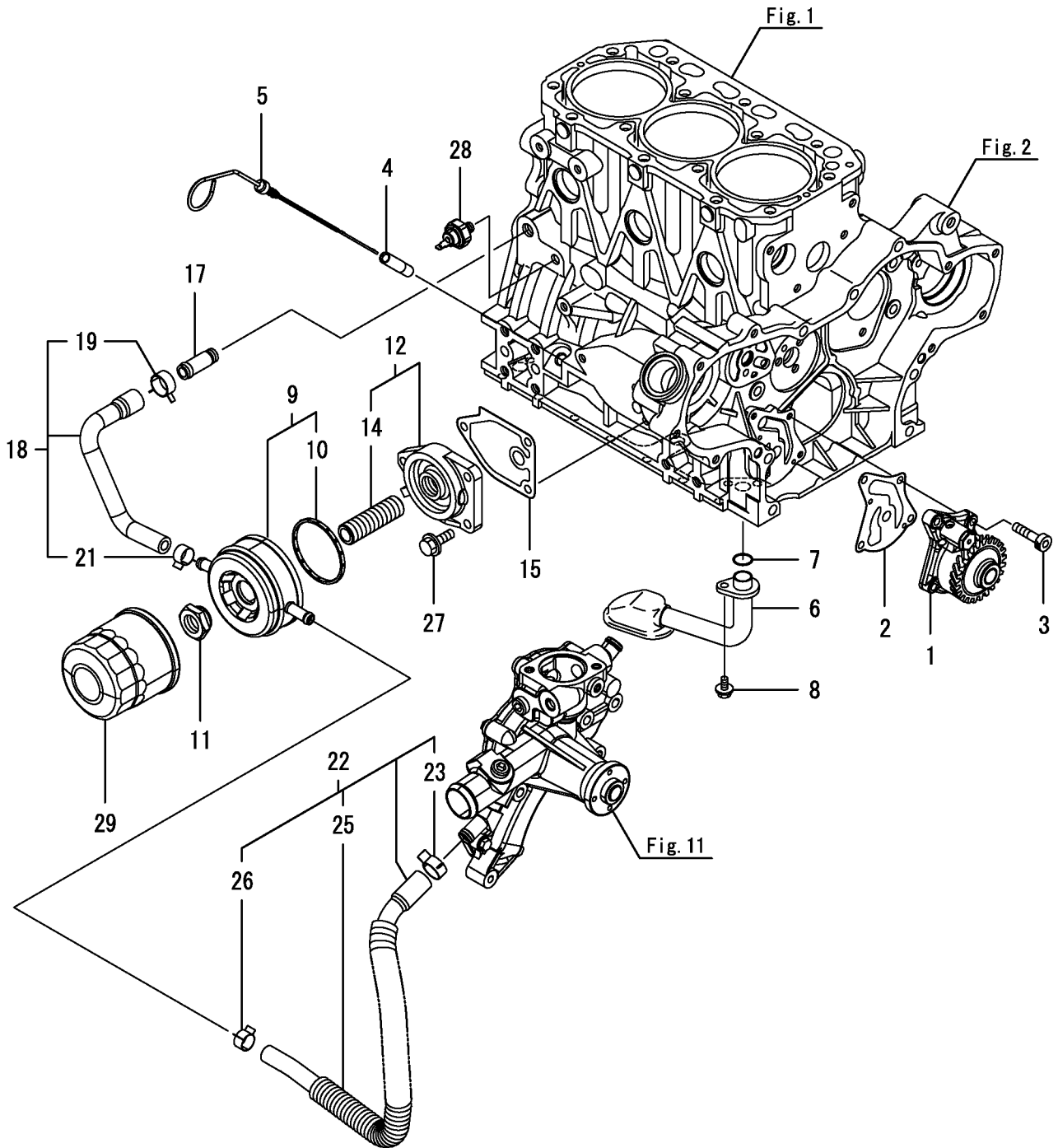
P1

Year

2017



RK37



NOTE

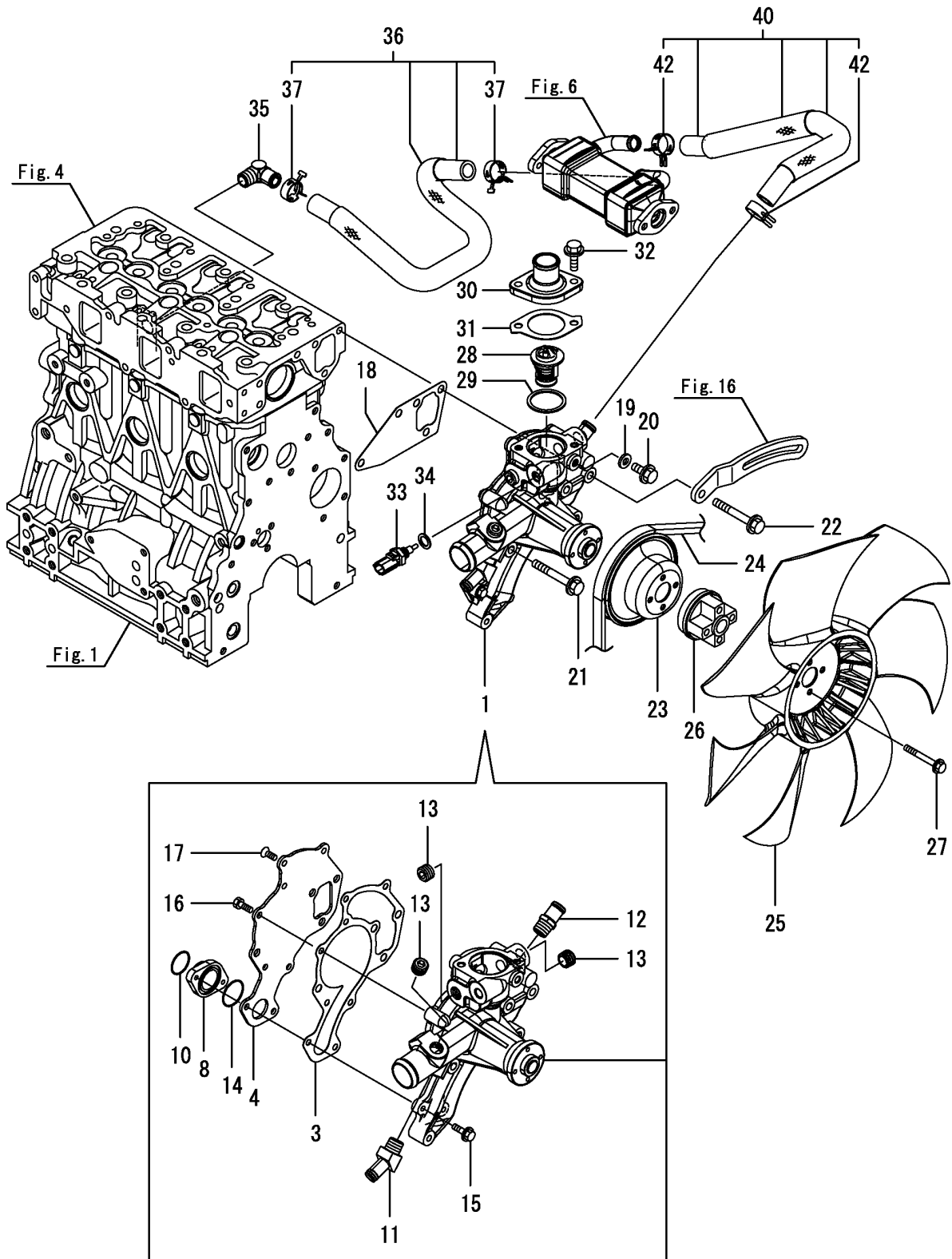
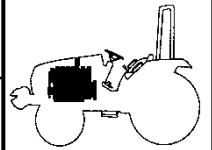
FIG 111

COOLING WATER SYSTEM

P1

Year

2017



NOTE

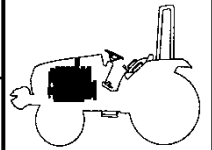
FIG 112

FUEL SUPPLY PUMP

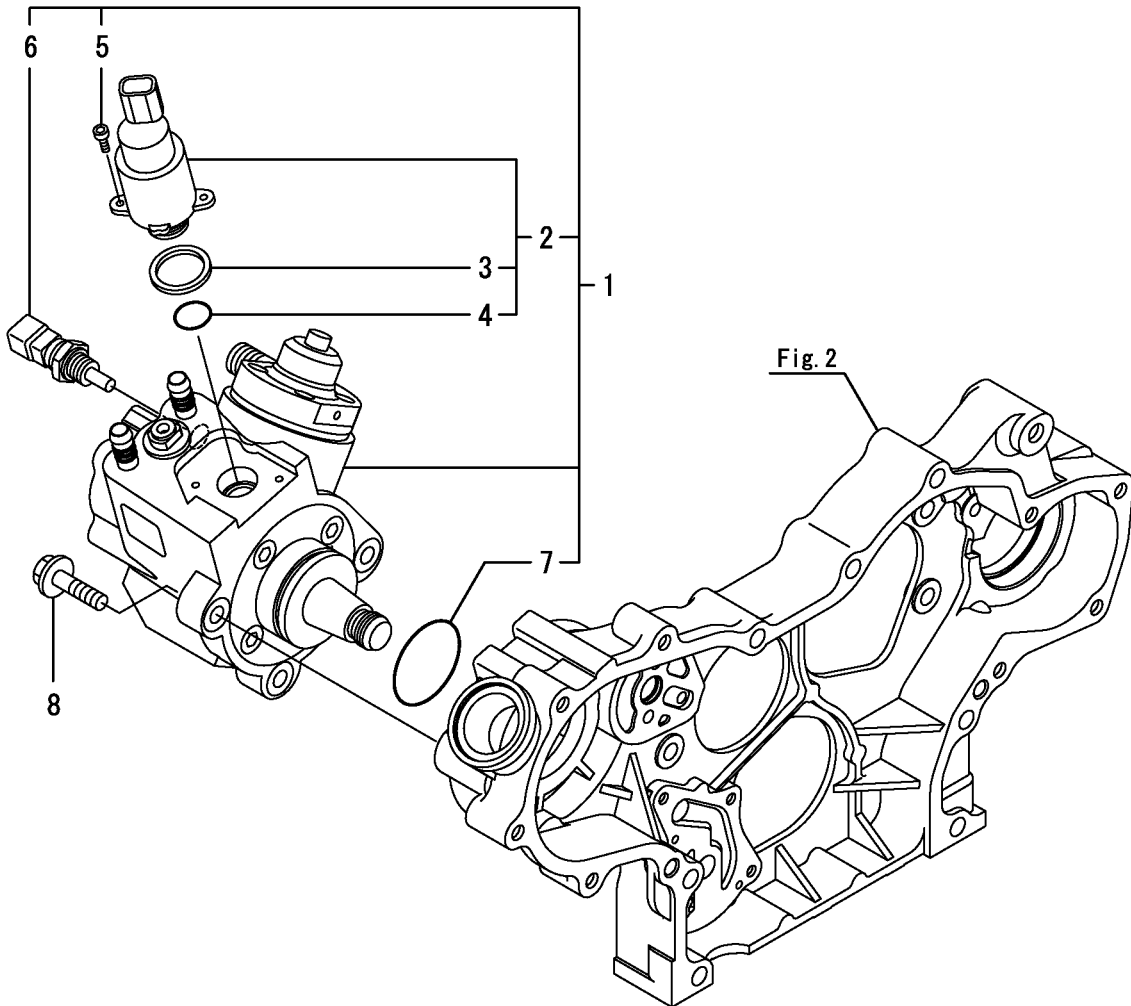
P1

Year

2017



RK37



NOTE

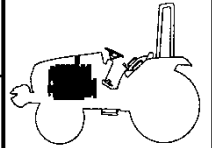
FIG 113

FUEL INJECTION VALVE

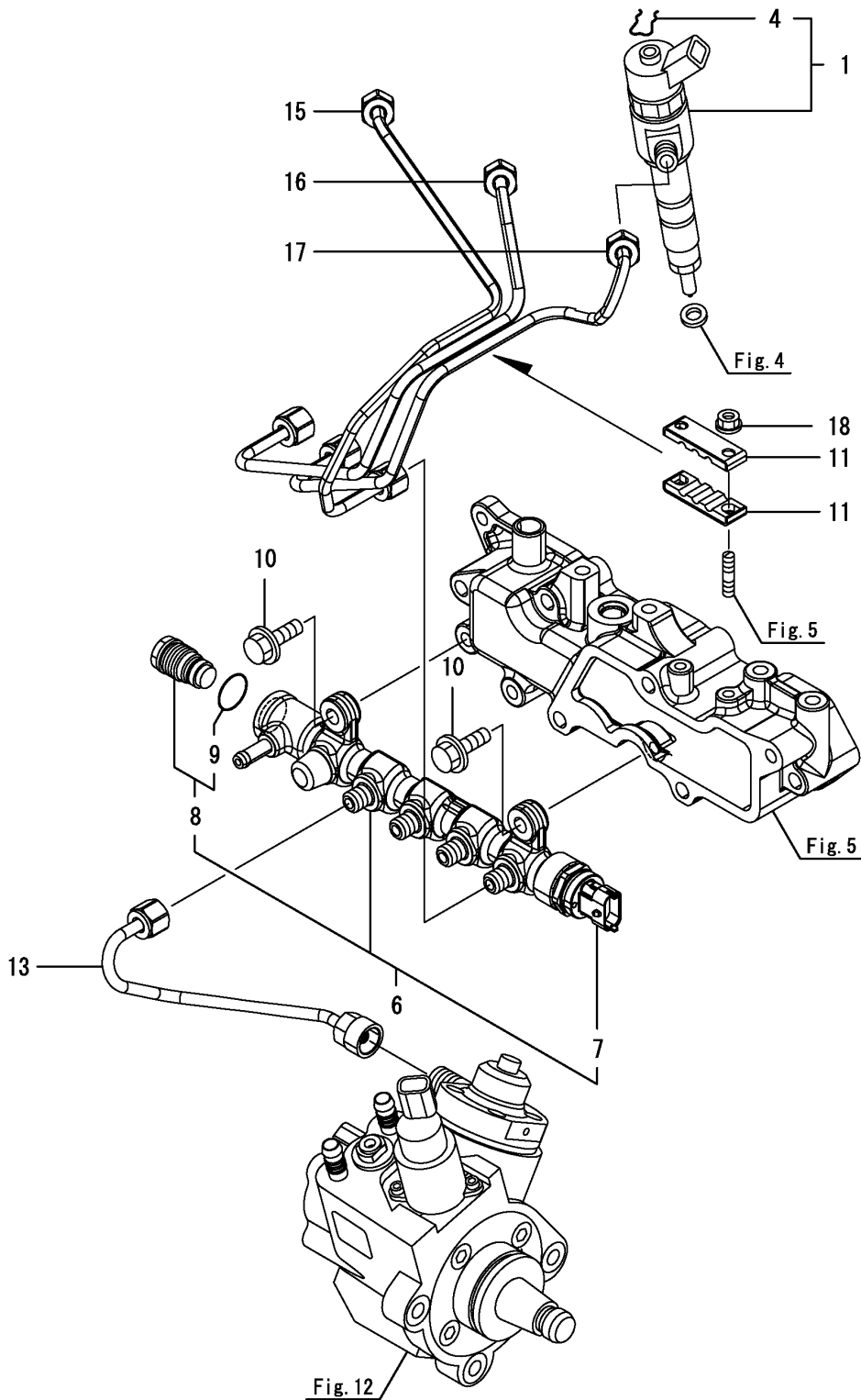
P1

Year

2017



RK37



NOTE

FIG 114

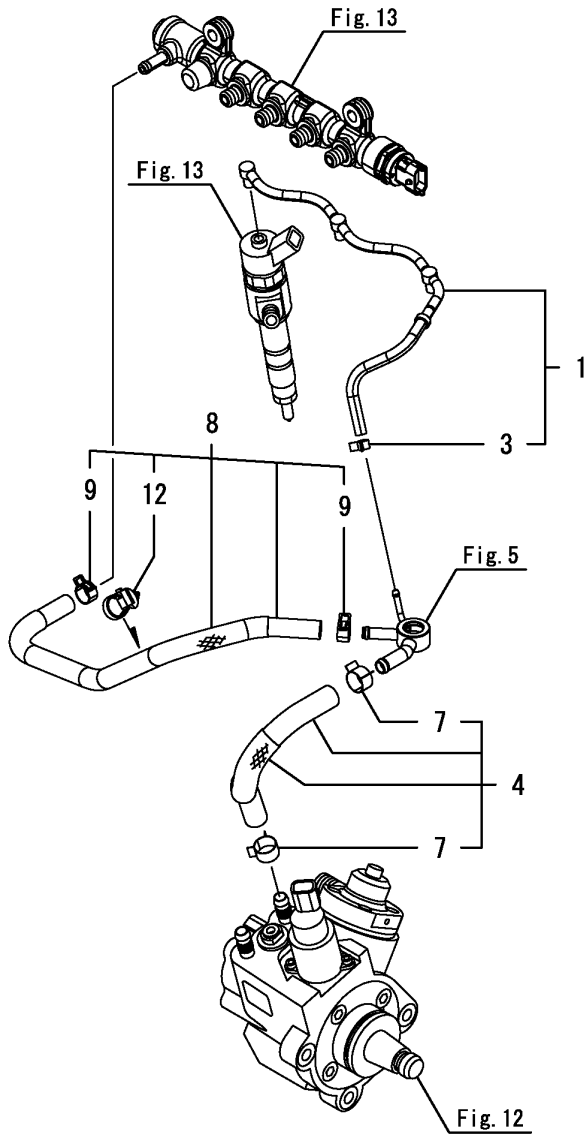
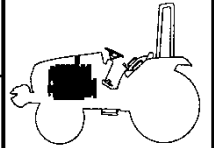
FUEL PIPE

RK37

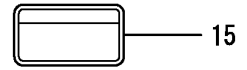
P1

Year

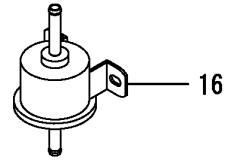
2017



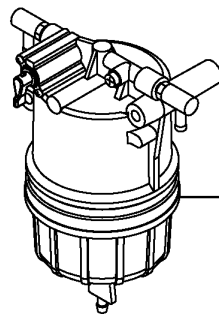
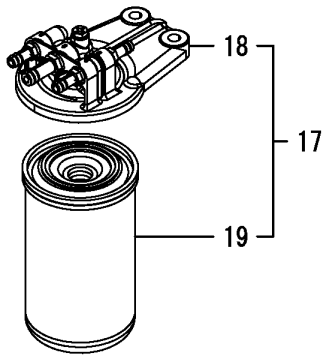
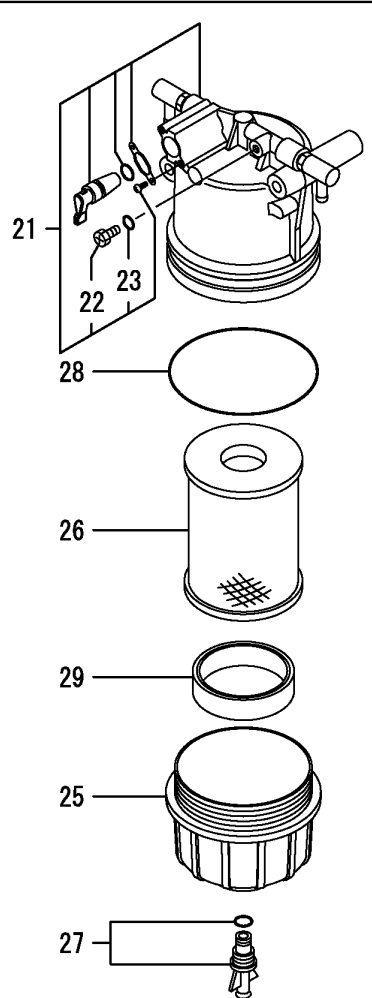
同梱品
LOOSE PARTS



15



16



NOTE

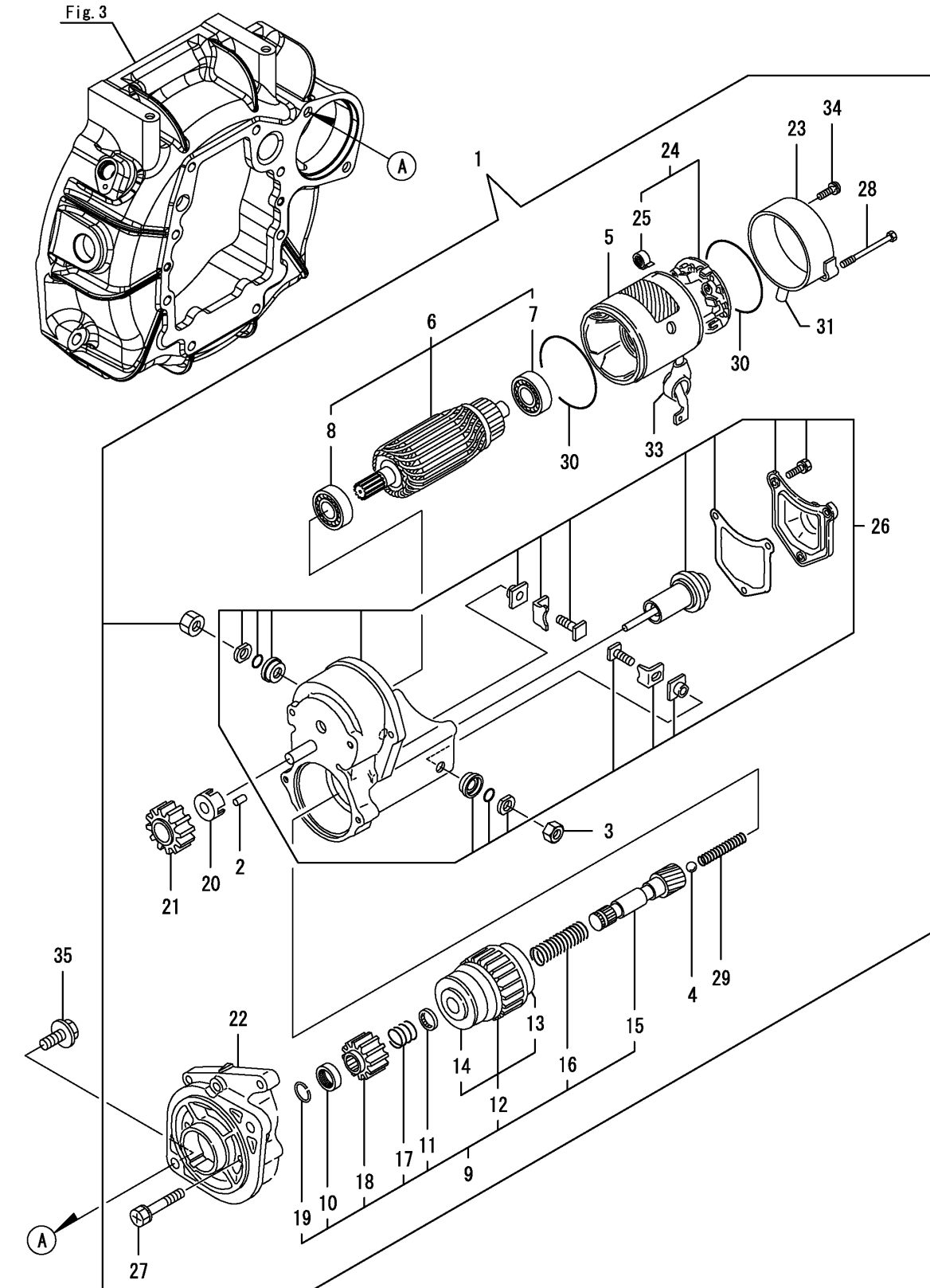
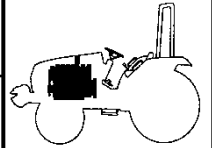
FIG 115

STARTER MOTOR

P1

Year

2017



NOTE

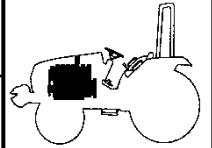
FIG 116

GENERATOR

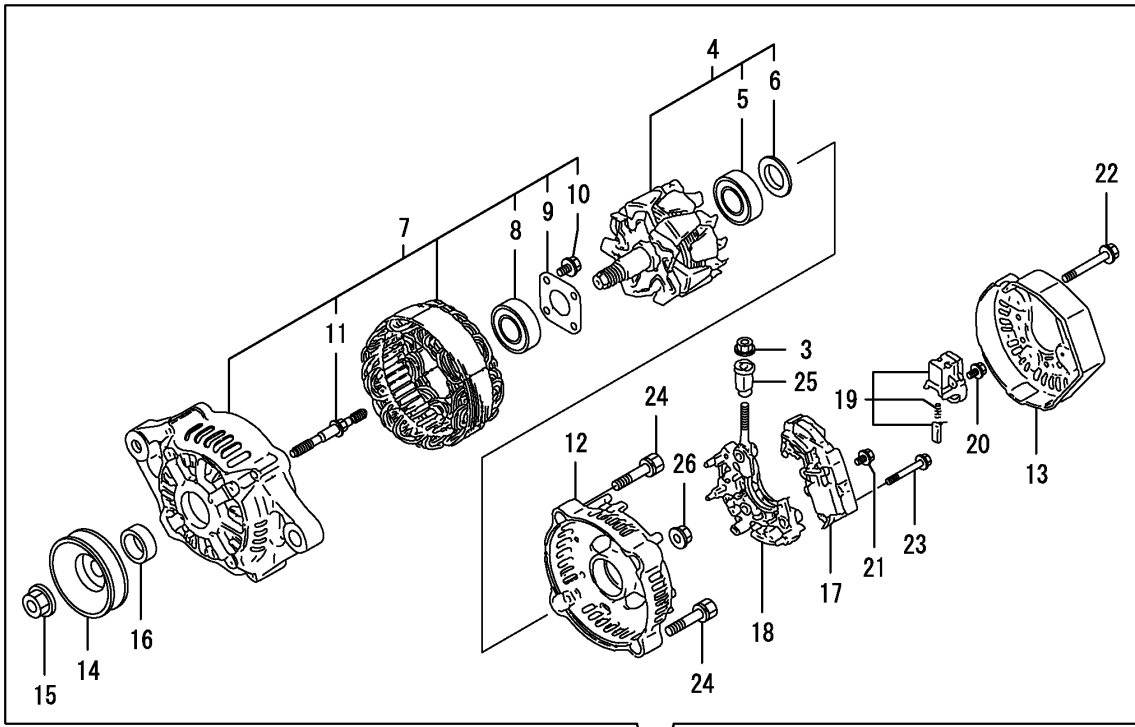
P1

Year

2017



RK37



2

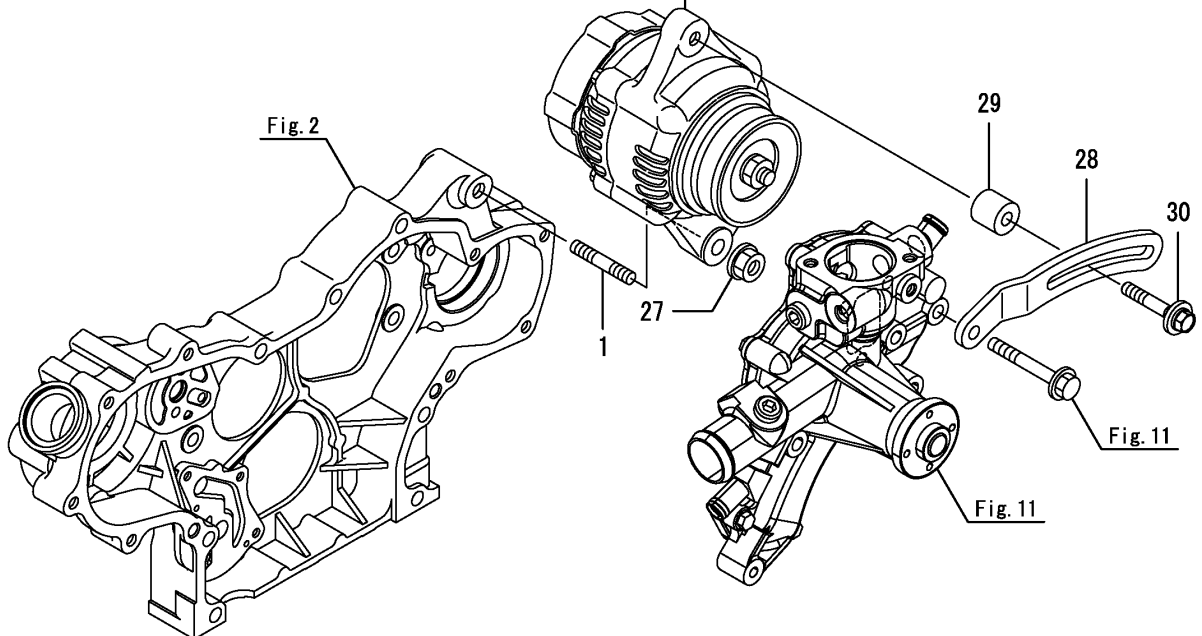


Fig. 2

Fig. 11

Fig. 11

NOTE

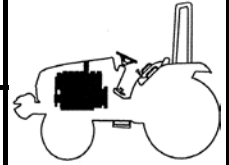
FIG 116

GENERATOR

P1

Year

2017



RK37

KEY NO.	PART NO.	DESCRIPTION	SPEC.	QTY.	REPAIR	ENG.SERIAL NO.	REMARKS
116	1	129795-01900	BOLT, STUD M10X33	1			
116	2	129052-77220	GENERATOR ASSY, 55A	1			
116	3	X9490561001	NUT	1			
116	4	129052-77380	ROTOR ASSY	1			
116	5	123501-79240	BEARING, BALL	1			
116	6	119620-79250	COVER, BEARING	1			
116	7	129052-77422	FRAME ASSY	1			
116	8	119620-79200	BEARING, BALL	1			
116	9	119620-79210	RETAINER	1			
116	10	119620-79220	SCREW	4			
116	11	119620-79230	BOLT, STUD	2			
116	12	128401-77440	FRAME	1			
116	13	128401-77450	COVER, GENERATOR	1			
116	14	119620-77461	PULLEY, GENERATOR	1			
116	15	119620-77471	NUT	1			
116	16	119620-77490	COLLAR	1			
116	17	119620-77710	REGULATOR ASSY	1			
116	18	129052-79260	HOLDER	1			
116	19	129052-79270	HOLDER, BRUSH	1			
116	20	119620-79290	SCREW	6			
116	21	119620-79300	SCREW	1			
116	22	119620-79310	BOLT	3			
116	23	119620-79320	SCREW	2			
116	24	119620-79330	BOLT	2			
116	25	119620-79340	BUSH, INSULATION	1			
116	26	119620-79350	NUT	2			
116	27	26306-100002	NUT, M10	1			
116	28	129602-77310	ADJUSTER	1			
116	29	124732-77340	SPACER	1			
116	30	129972-77341	BOLT, ADJUST L=50	1			

NOTE

FIG 117

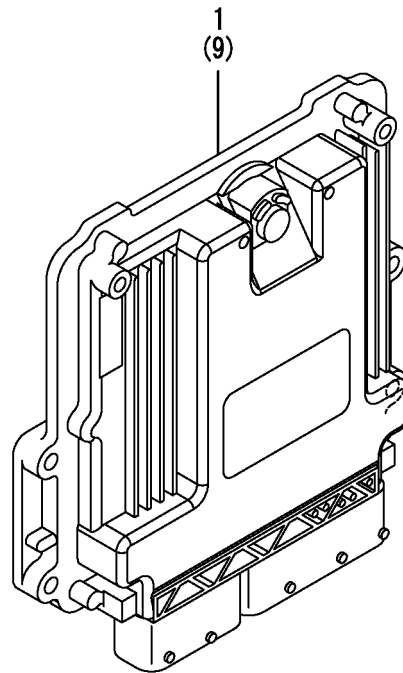
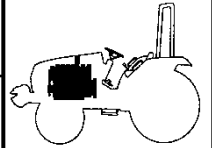
RK37

ELECTRONIC CONTROL
UNIT(ECU)

P1

Year

2017



NOTE

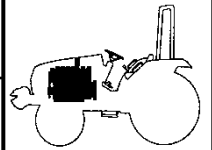
FIG 118

ELECTRIC PARTS

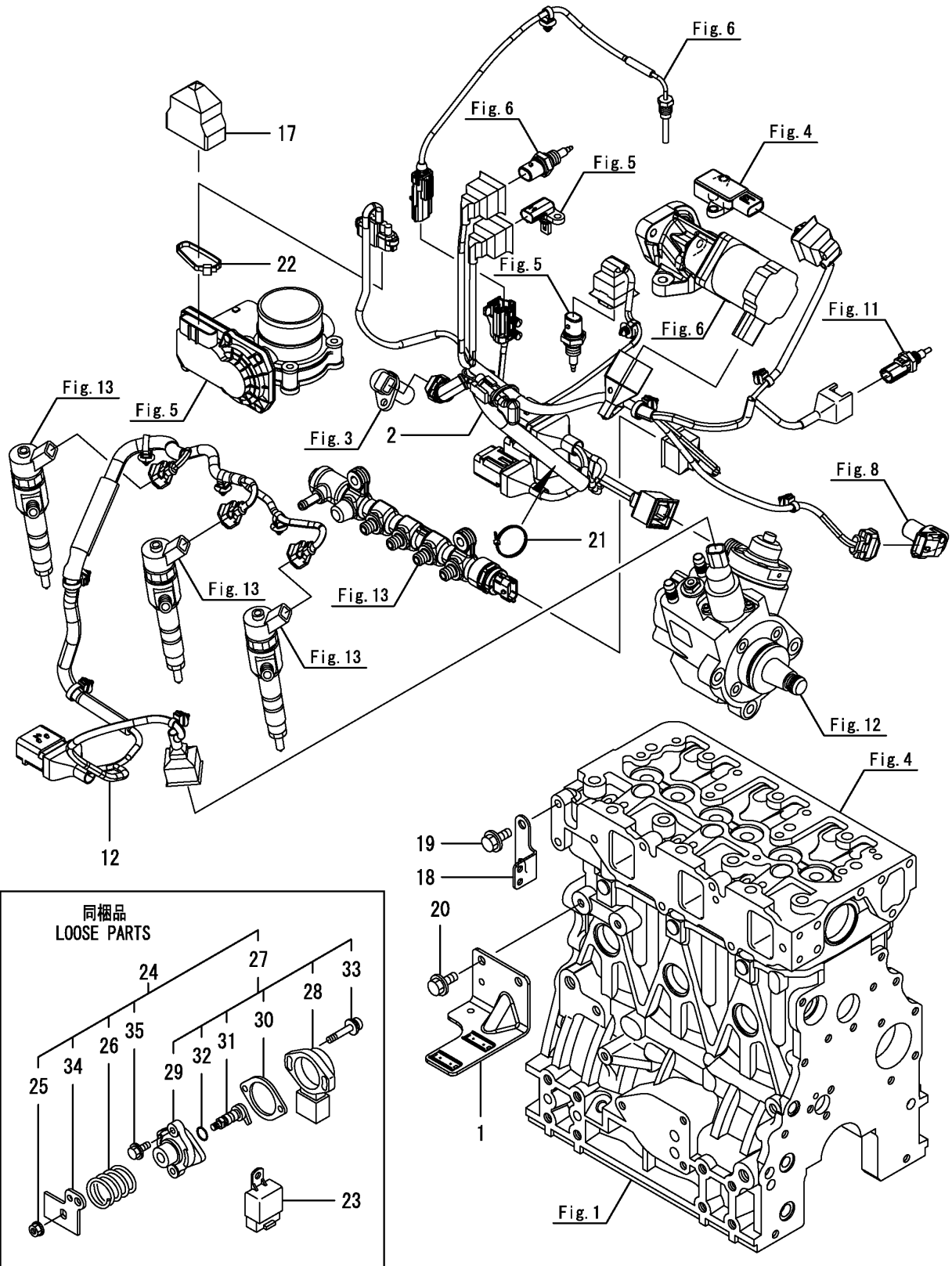
P1

Year

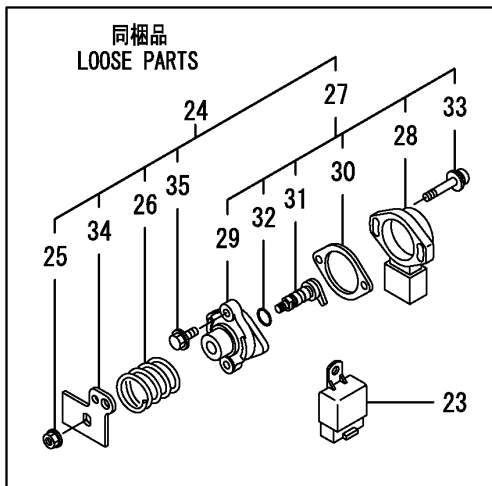
2017



RK37



同梱品
LOOSE PARTS



NOTE

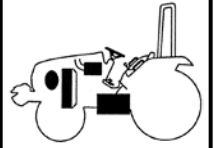
FIG 201

AIR CLEANER

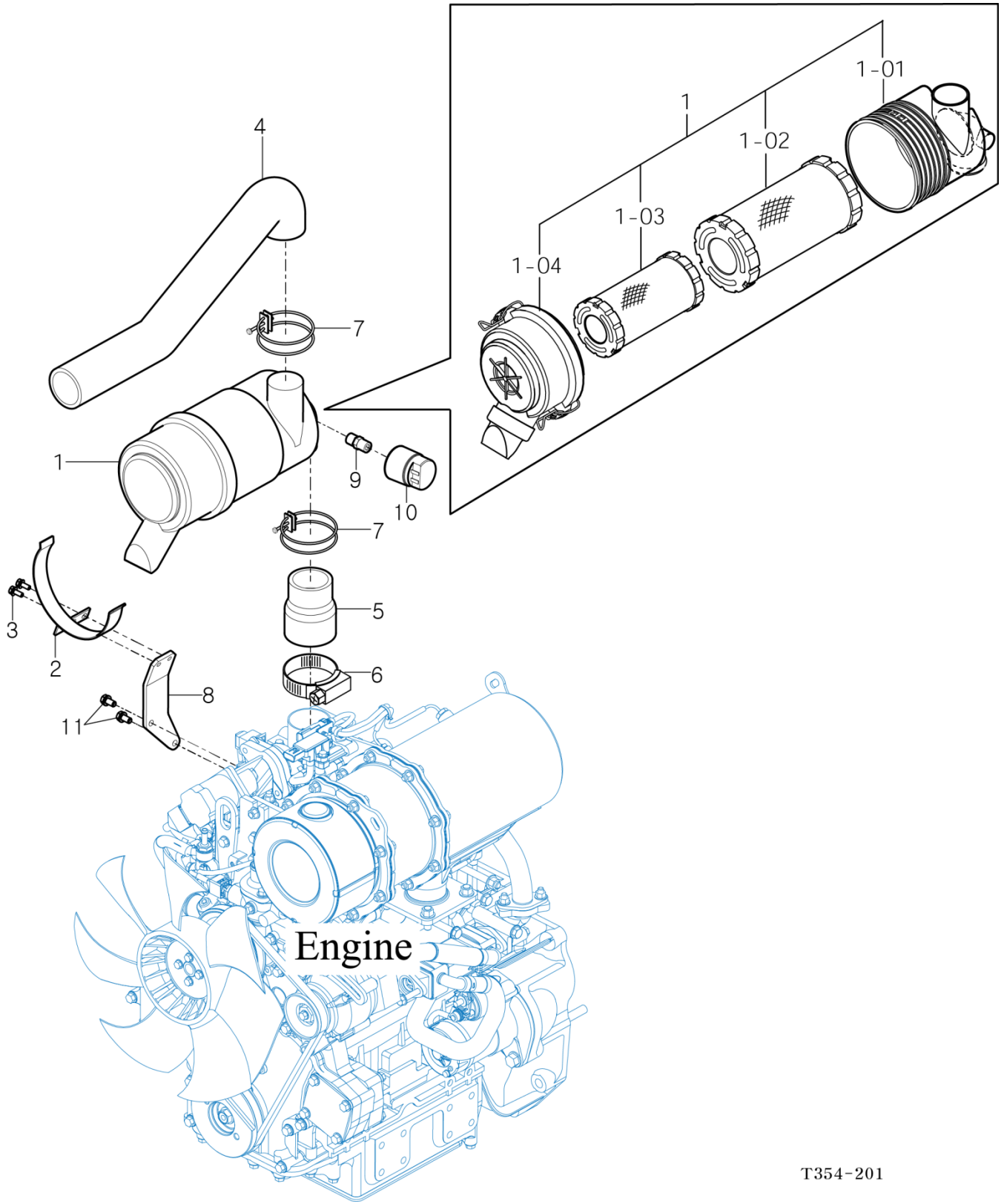
P1

Year

2017



RK37H



T354-201

NOTE

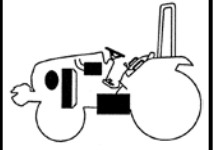
FIG 202

RADIATOR

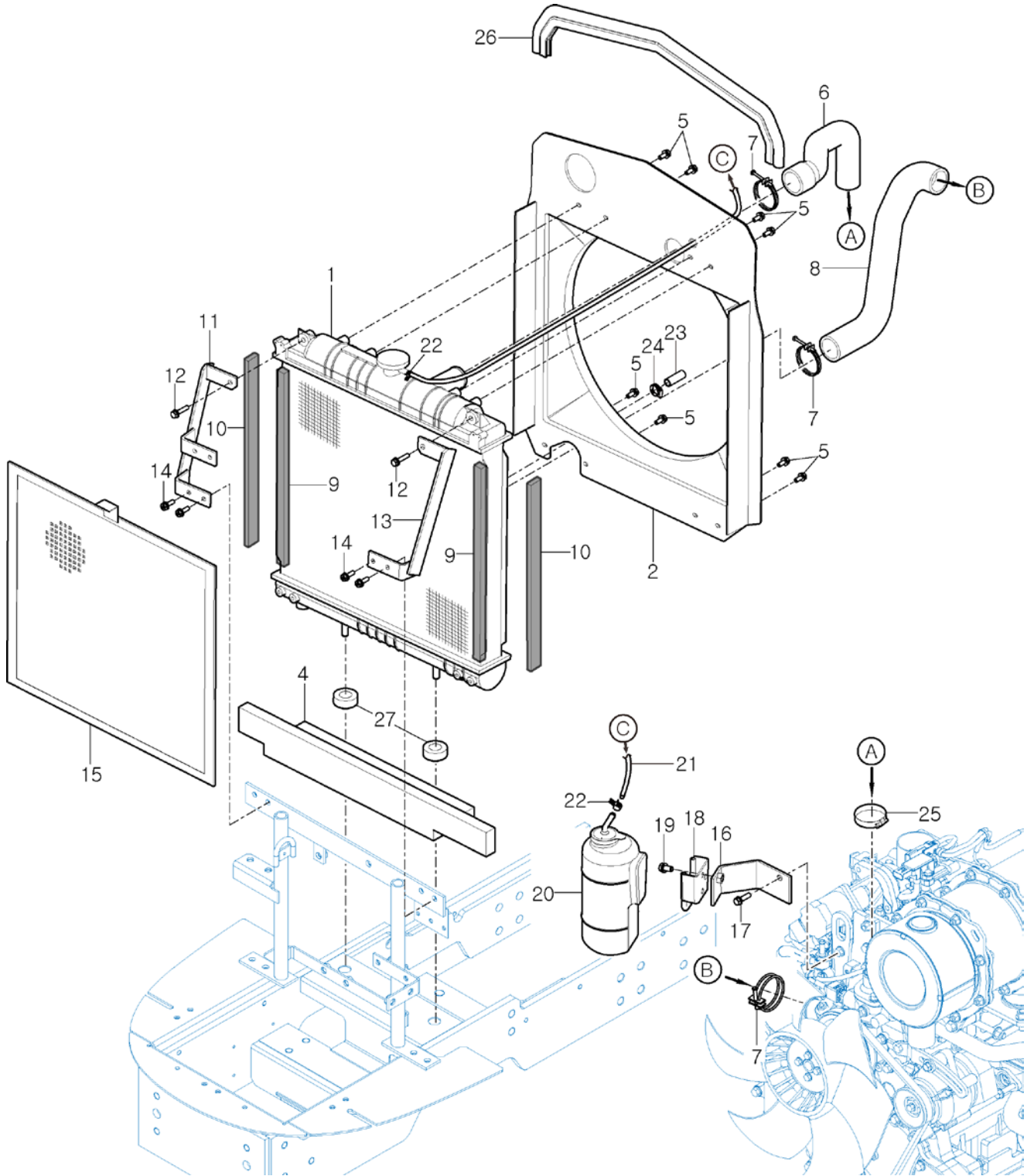
P1

Year

2017



RK37H



NOTE

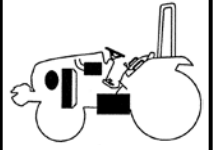
FIG 203

MUFFLER

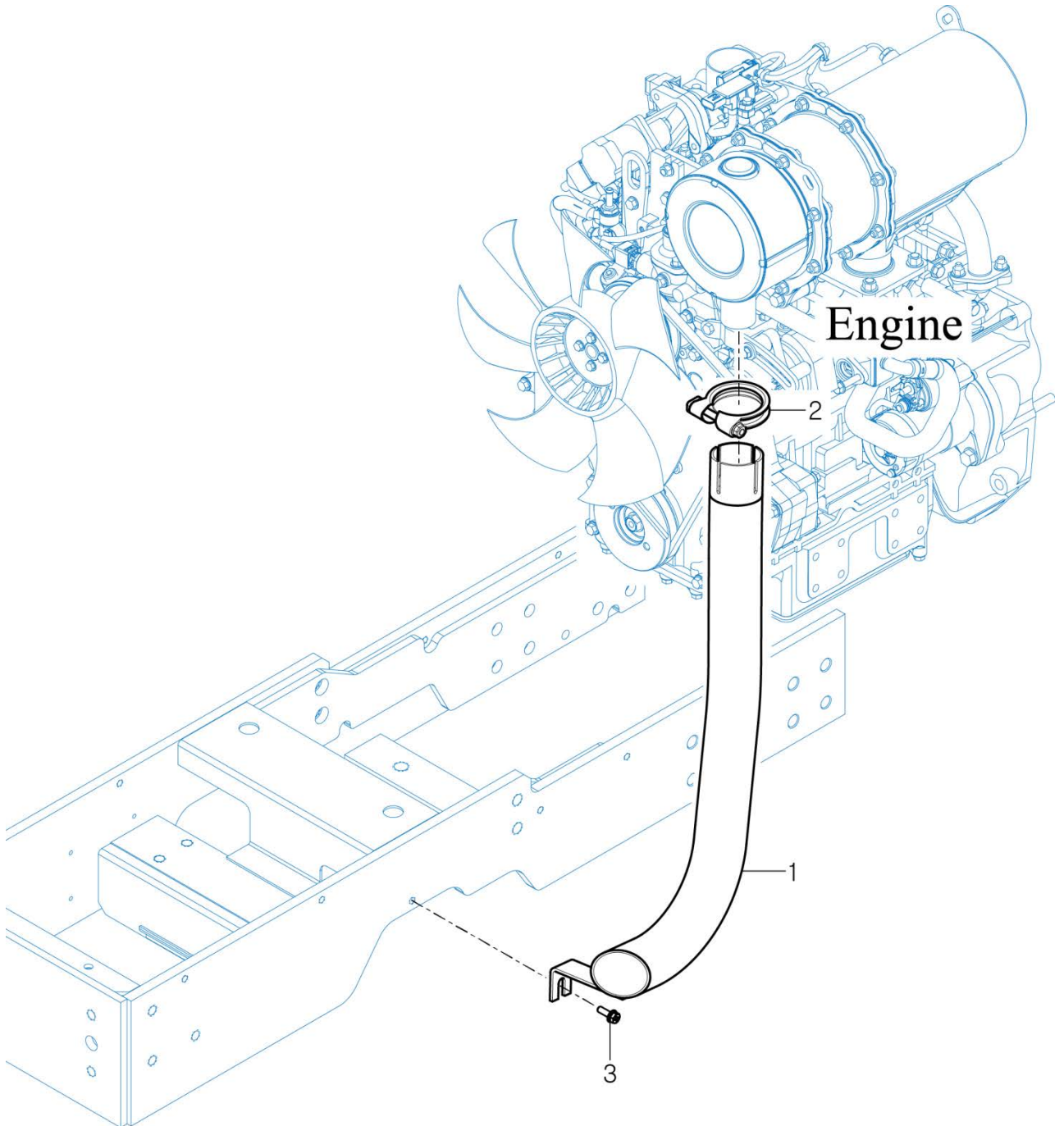
P1

Year

2017



RK37H



NOTE

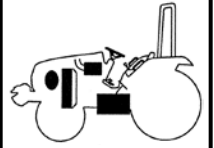
FIG 204

FUEL TANK & HOSE

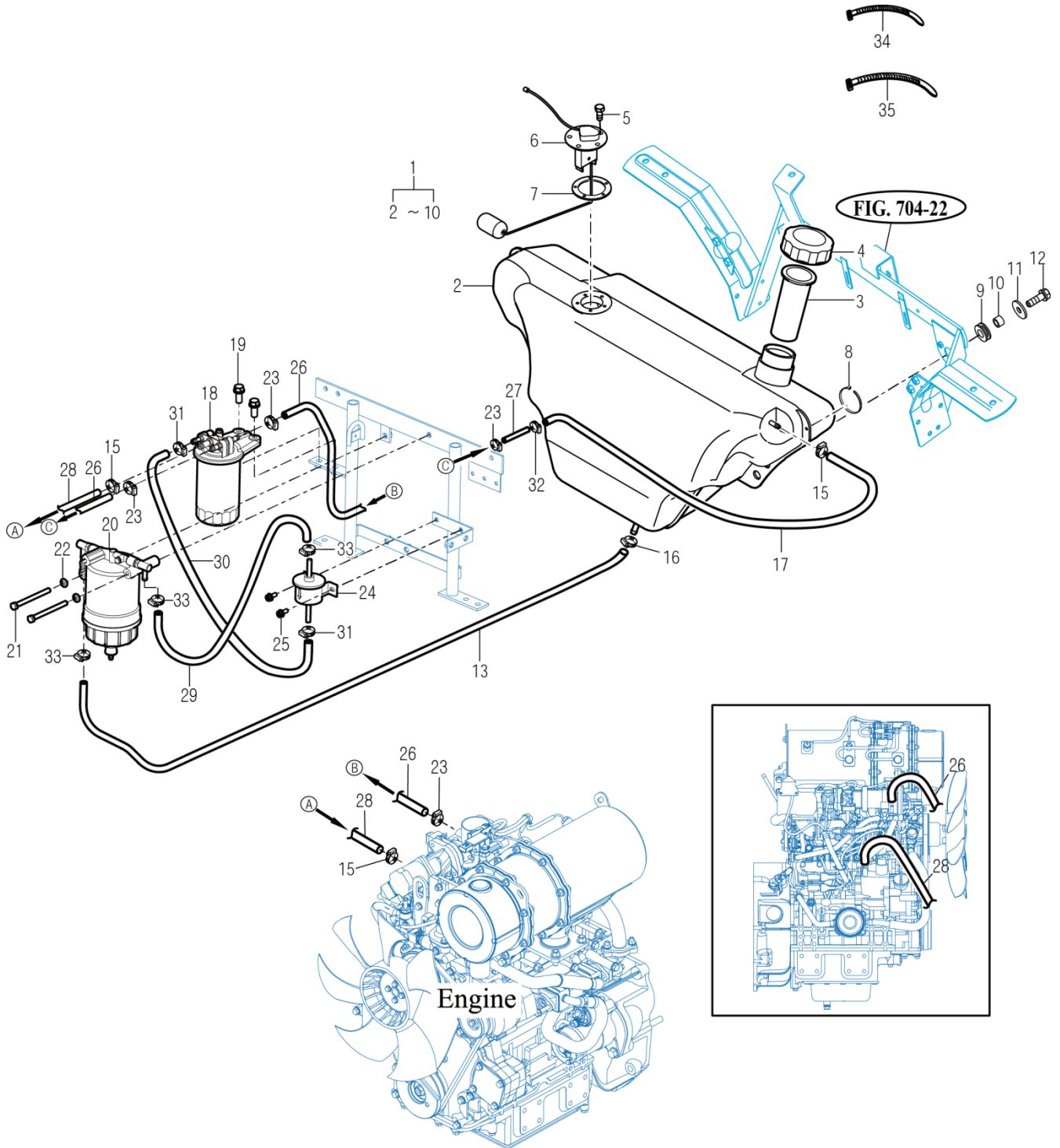
P1

Year

2017



RK37H



T354-E-204

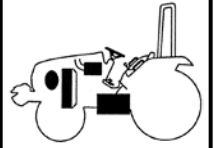
FIG 205

OIL COOLER

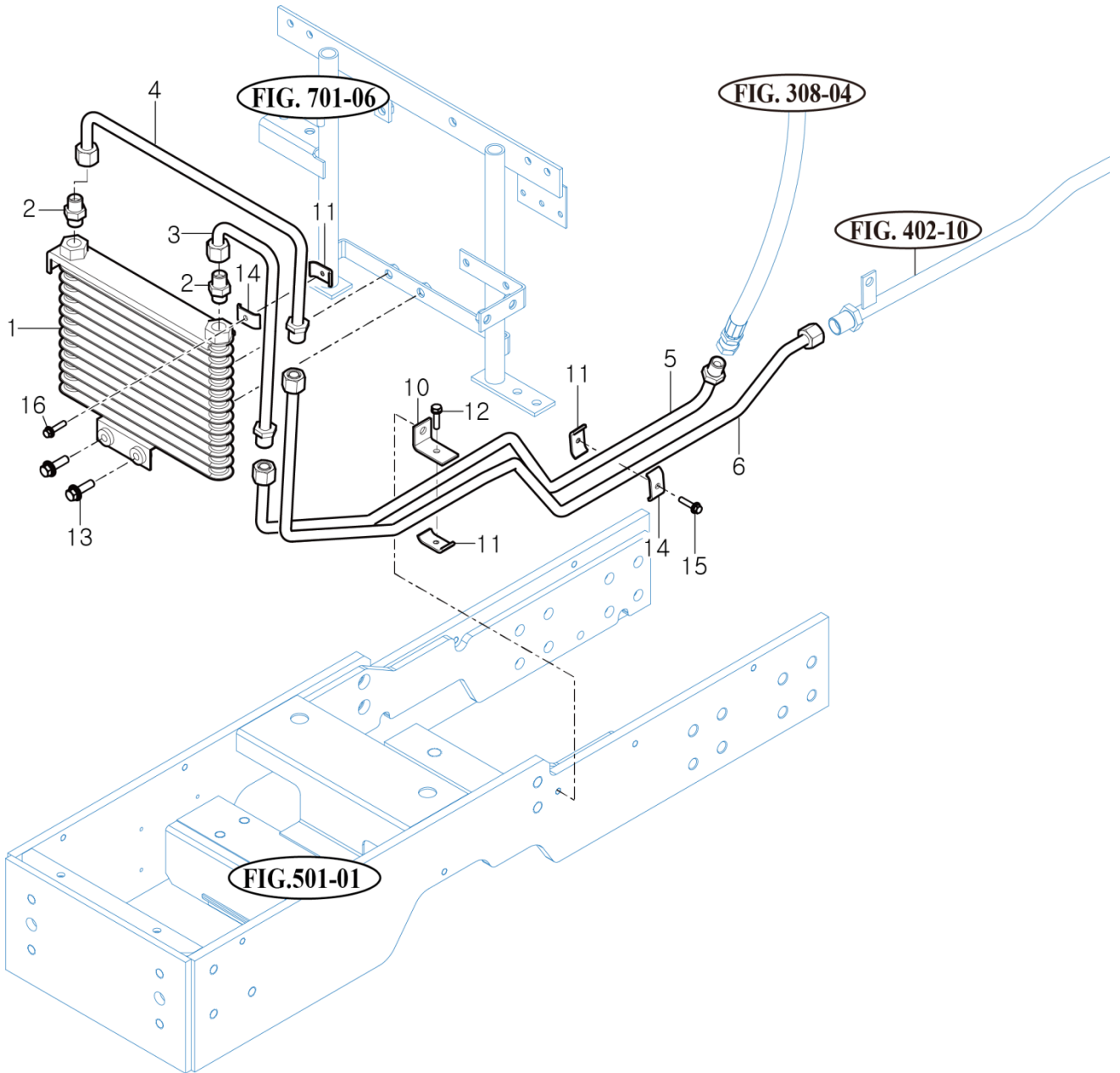
P1

Year

2017



RK37H



NOTE

FIG 301

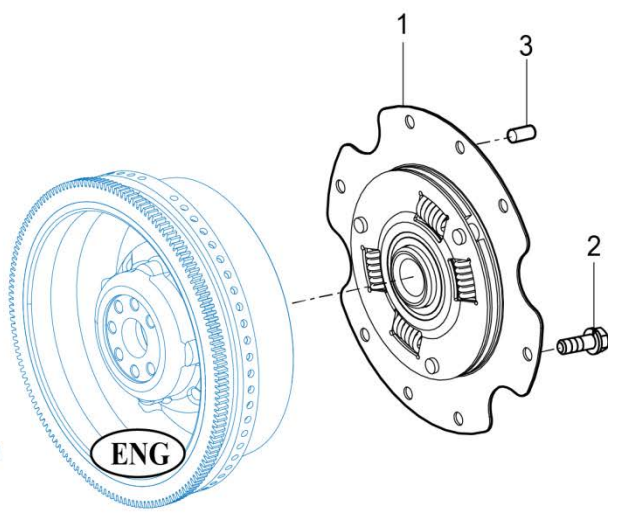
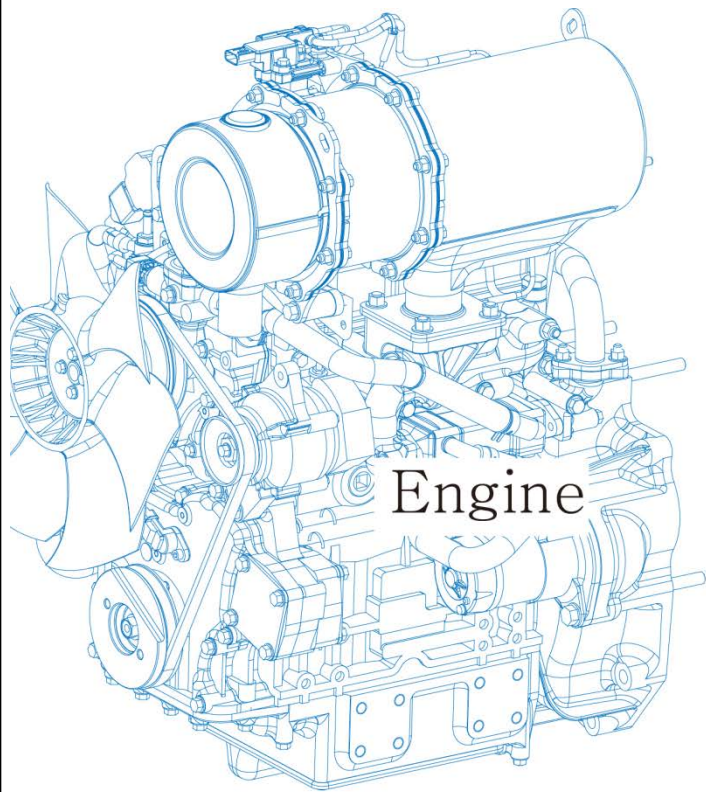
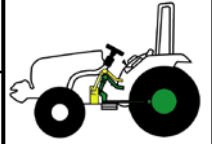
RK37H

FLYWHEEL & CLUTCH

P1

Year

2017



T384NH-E-301

NOTE

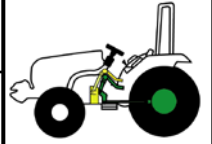
FIG 302

BRAKE PEDAL

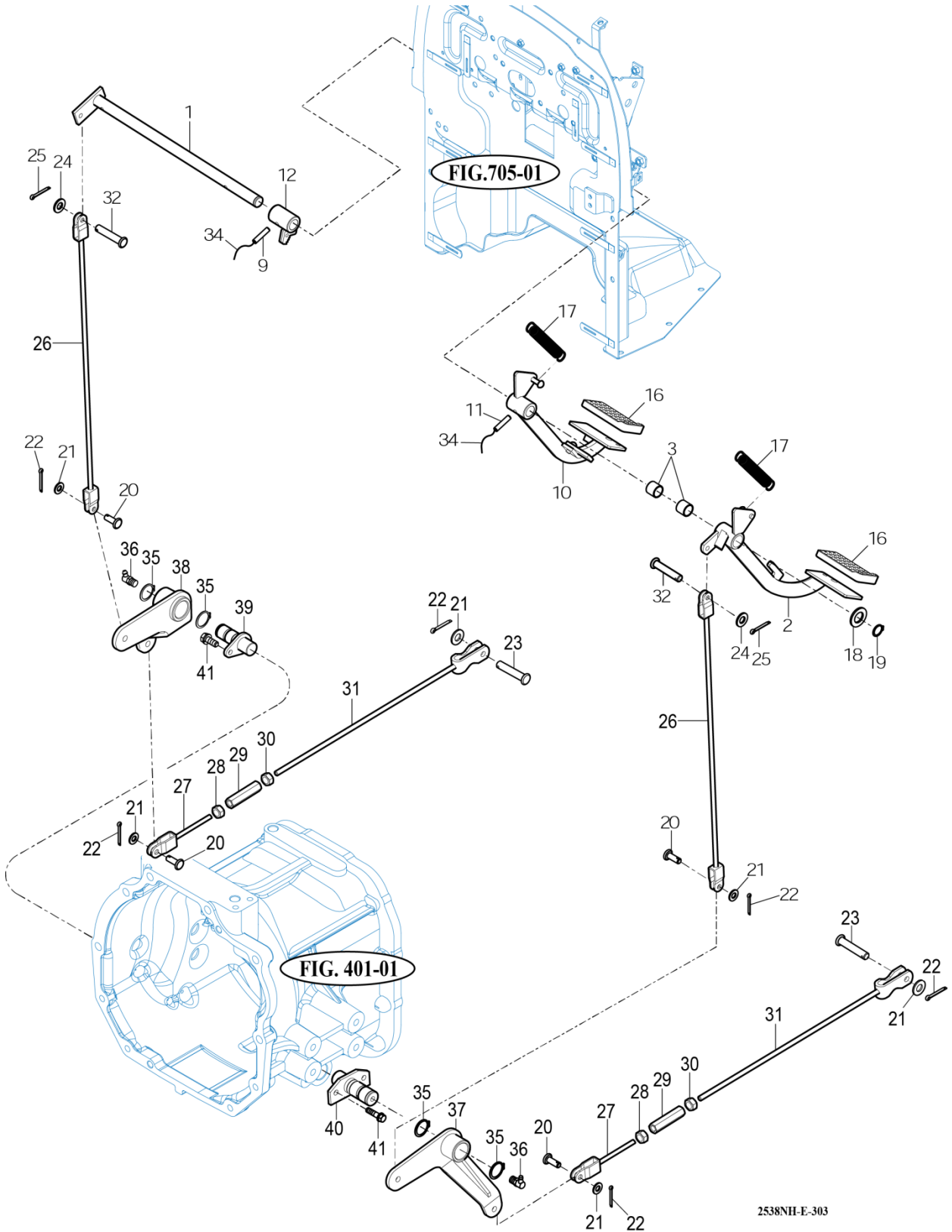
P1

Year

2017



RK37H



NOTE

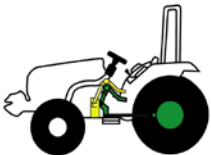
FIG 302		BRAKE PEDAL			P1	Year	
RK37H						2017	
KEY NO.	TYM PART NO.	DESCRIPTION	SPEC.	QTY.	REPAIR	EFFECTIVE DATE	REMARKS
302 001	12353292100GB	ARM COMP , BRAKE		1			
302 002	12383292202GB	PEDAL COMP , LH BRAKE		1			
302 003	35017030080	BUSH , 20X23X20		2			
302 009	V5801405036	SPRING PIN		1			
302 010	12383292302GB	PEDAL COMP , RH BRAKE		1			
302 011	V5801408036	SPRING PIN		1			
302 012	12353293100GB	ARM COMP , PARKING		1			
302 016	15241220010	PAD		2			
302 017	14041200081	SPRING , CLUTCH RETURN		2			
302 018	V4111600200	WASHER , PLAIN	M20	1			
302 019	V7041400200	C-RING , SHAFT	20	1			
302 020	14322420010	PIN		4			
302 021	V4111600080	WASHER , PLAIN	M8	6			
302 022	V5001920020	PIN , SPLIT	2X20	6			
302 023	14043120060	PIN , YOKE		2			
302 024	V4111600080	WASHER , PLAIN	M8	2			
302 025	V5001920020	PIN , SPLIT	3X20	2			
302 026	16703292501	ROD COMP , HOOK 504		2			
302 027	12383282201	ROD COMP , FR		2			
302 028	V3043600080	NUT , HEX/2	M8	2			
302 029	16601220020	TURNBUCKLE , M8 L60		2			
302 030	15601320073	NUT , HEX LH		2			
302 031	12383282301	ROD COMP , REAR		2			
302 032	14322420010	PIN		2			
302 034	V5901010150	WIRE, STEEL		2			
302 035	V7041400250	C-RING , SHAFT	25	4			
302 036	V7631500000	NIPPLE , GREASE/B-PT	B-PT1/8	2			
302 037	12623283300GB	ARM COMP , LH BRAKE		1			
302 038	12353283400GB	ARM COMP , RH BRAKE		1			
302 039	12623283100	PIN COMP		1			
302 040	14573283101	PIN COMP , 87		1			
302 041	V2173608020	BOLT , HEX/S	M8X20	2			
NOTE							

FIG 303

RK37H

BRAKE

P1

Year

2017

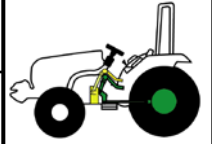


FIG. 413-01

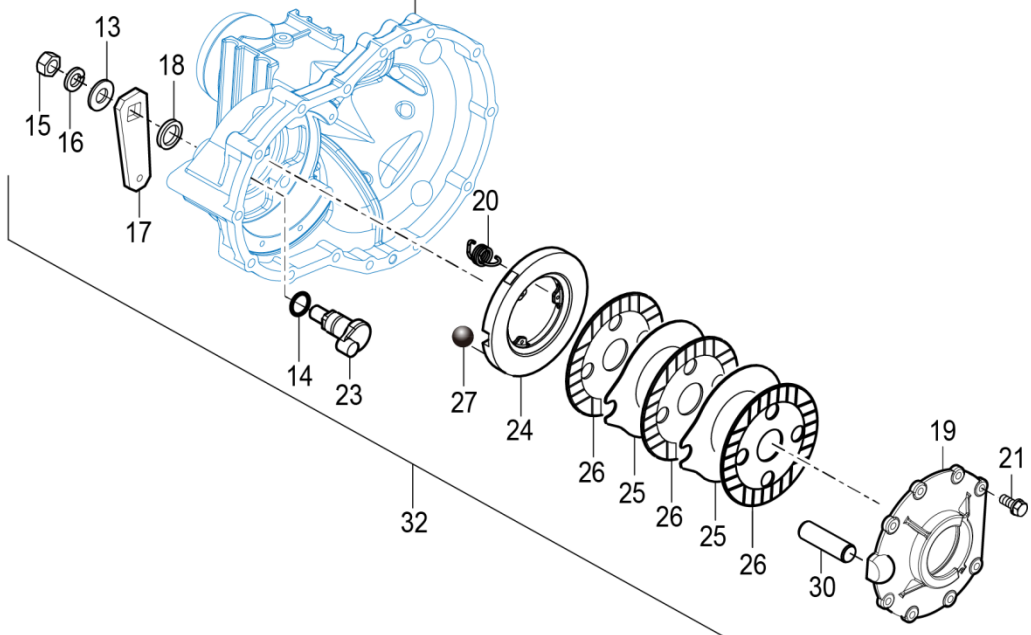
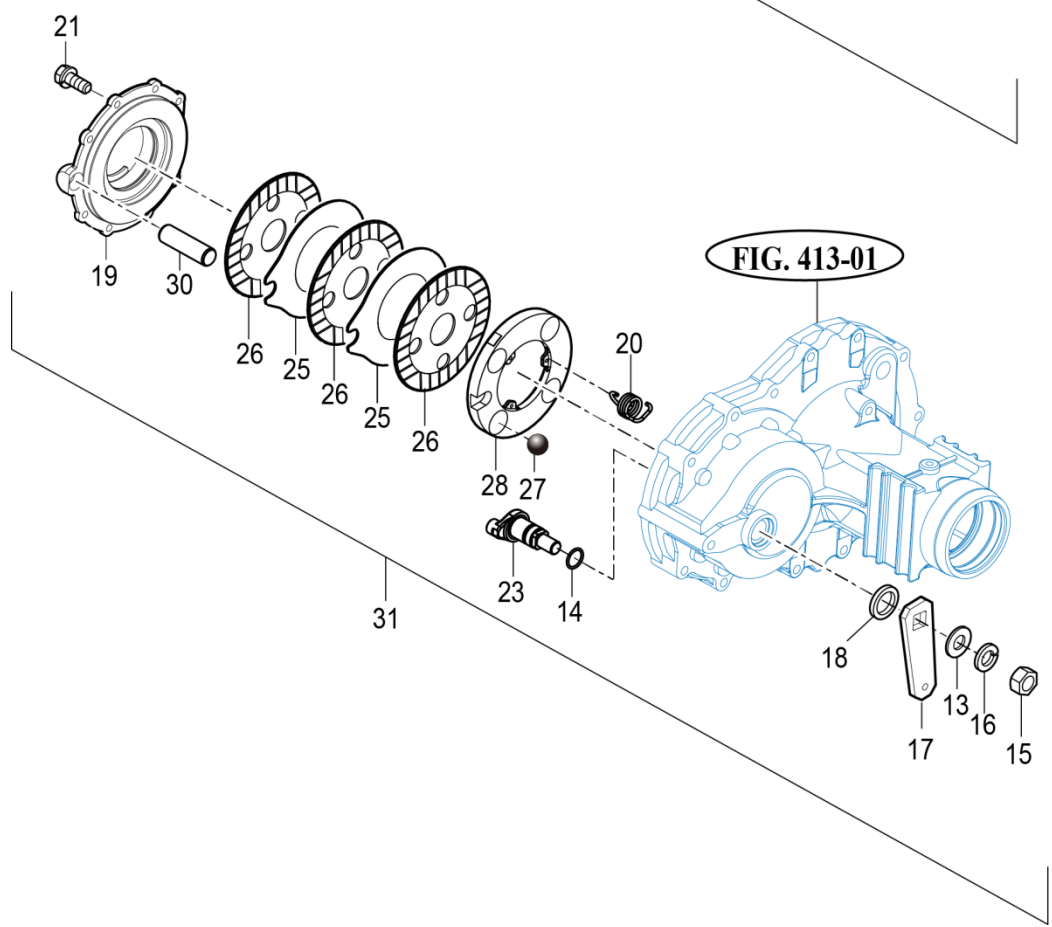


FIG. 413-01



NOTE

FIG 304

RK37H

FRONT WHEEL MOUNTING

P1

Year

2017

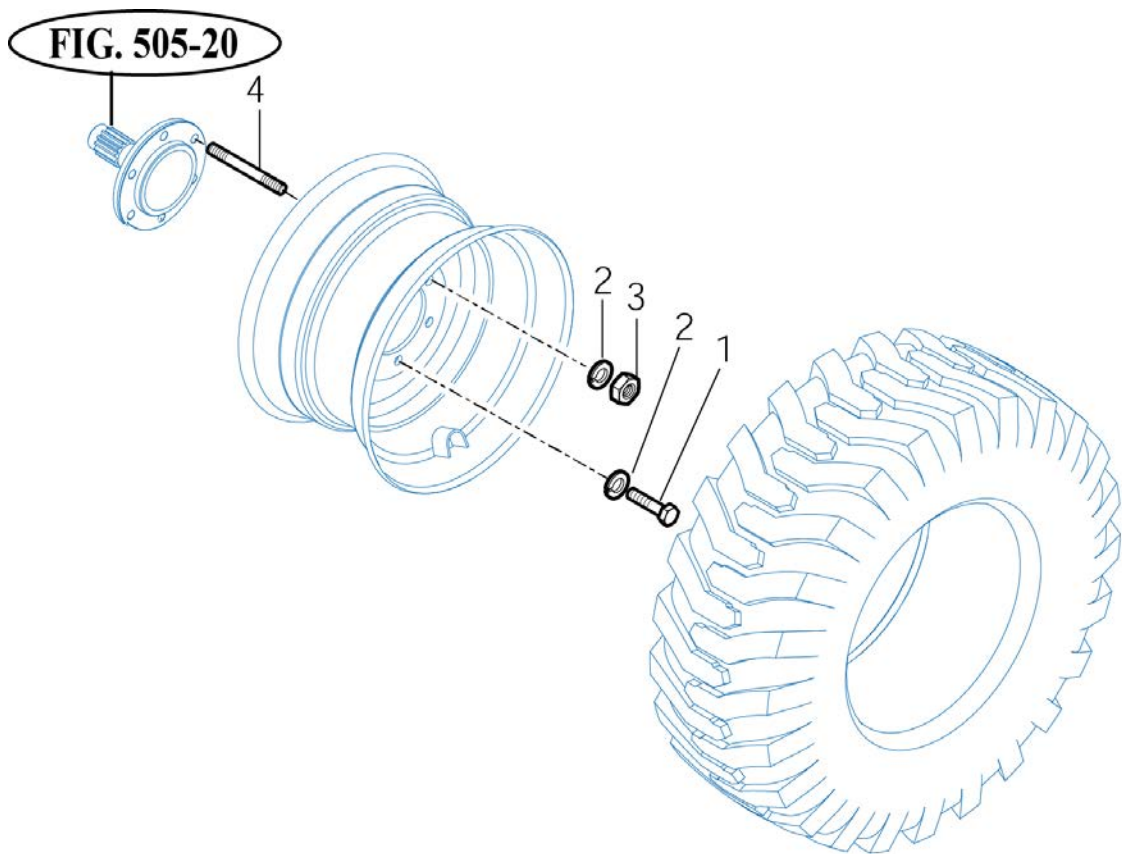
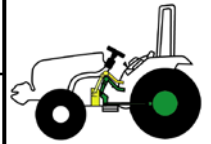


FIG. 505-20

NOTE

FIG 305

RK37H

REAR WHEEL MOUNTING

P1

Year

2017

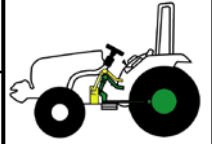
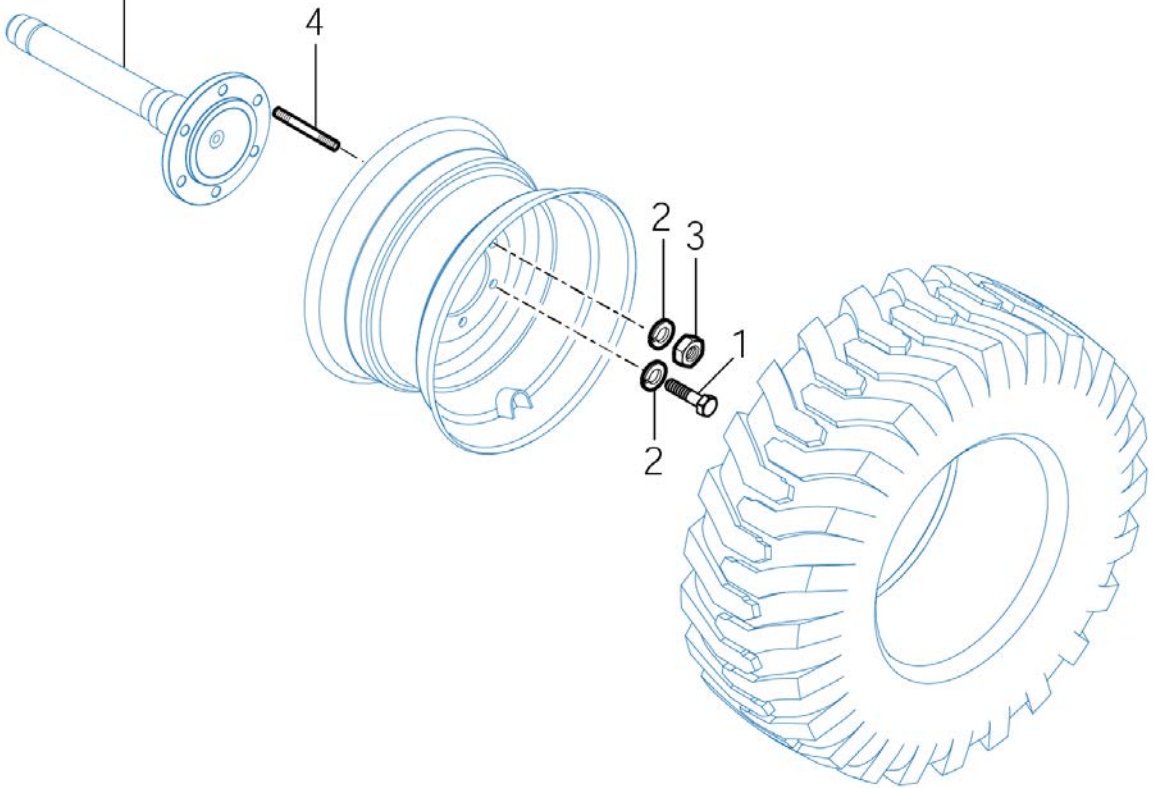


FIG. 413-12



NOTE

FIG 306

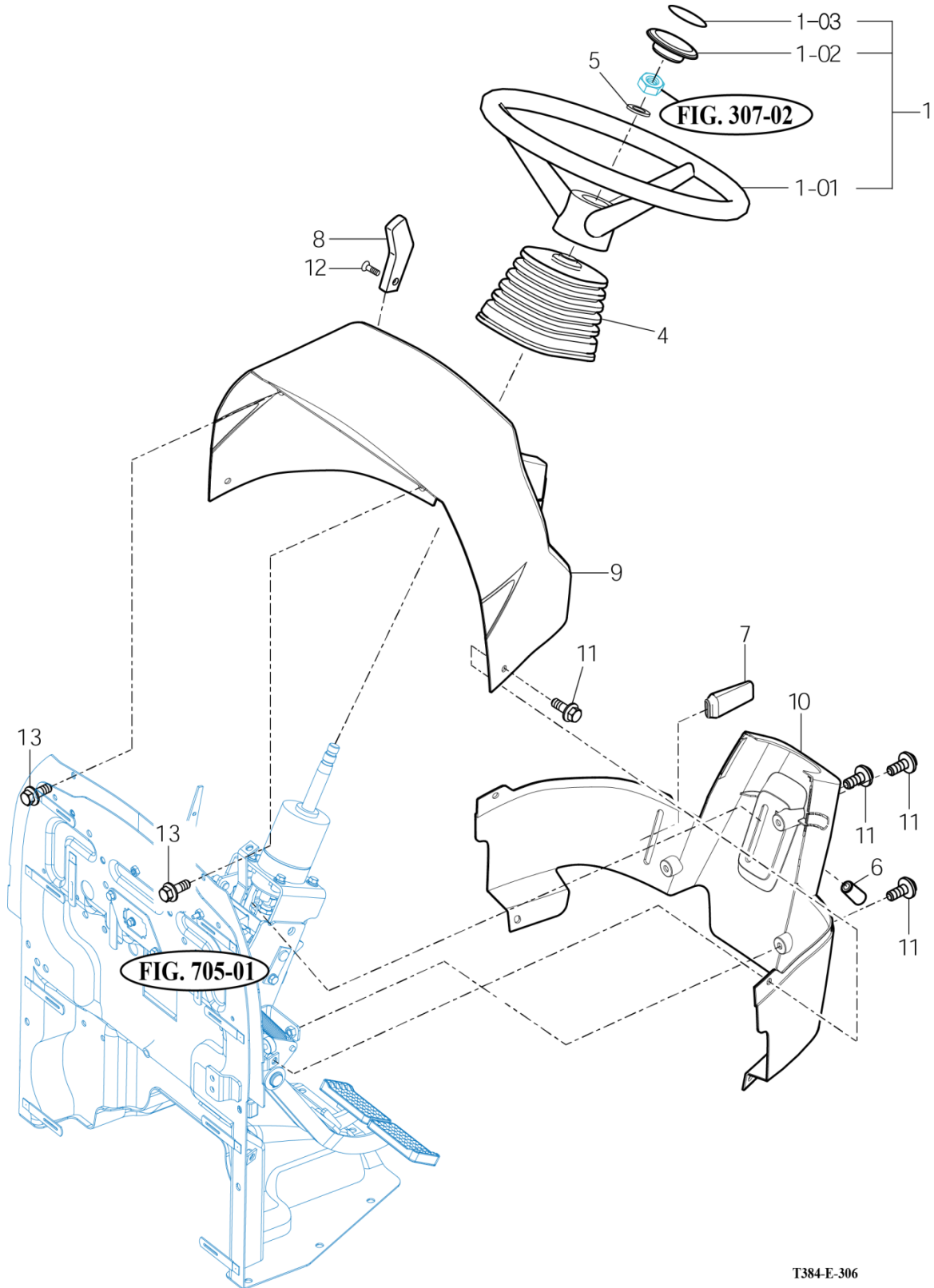
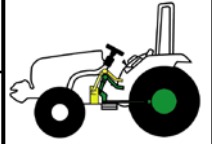
RK37H

STEERING WHEEL & DASH COVER

P1

Year

2017



T384-E-306

NOTE

FIG 306 RK37H	STEERING WHEEL & DASH COVER				P1	Year	
						2017	

KEY NO.	TYM PART NO.	DESCRIPTION	SPEC.	QTY.	REPAIR	EFFECTIVE DATE	REMARKS
306	001	10524012000	WHEEL ASSY , STEERING			1	
306	00101	14724012100	WHEEL , STEERING			1	
306	00102	16994012020	COVER , STEERING			1	
306	00103	10517322130	LABEL			1	
306	004	14724010052	BOOT , TILT			1	
306	005	V4011600160	WASHER , SPRING	M16		1	
306	006	21615250020	GRIP , LEVER/RED			1	
306	007	34523030020	GRIP , THROTTLE			1	
306	008	15605110054	GRIP ,3X17X97			1	
306	009	17416031011NB	COVER , UPR DASHPANEL			1	-2017.08.31
306	009	17416031012NB	COVER , UPR DASHPANEL			1	2017.09.01-2018.02.18
306	009	17416031013NB	COVER , UPR DASHPANEL			1	2018.02.19-
306	010	17416031021NB	COVER , LOW DASHPANEL			1	-2018.02.18
306	010	17416031022NB	COVER , LOW DASHPANEL			1	2018.02.19-
306	011	V2163808020	BOLT , HEX/P	M8X20		8	
306	012	V1122605012	SCREW , C/R FLAT			1	
306	013	V2113606012	BOLT , HEX /S	M6X12		2	

NOTE	
------	--

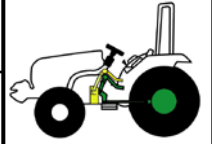
FIG 307

STEERING VALVE & TILT

P1

Year

2017



RK37H

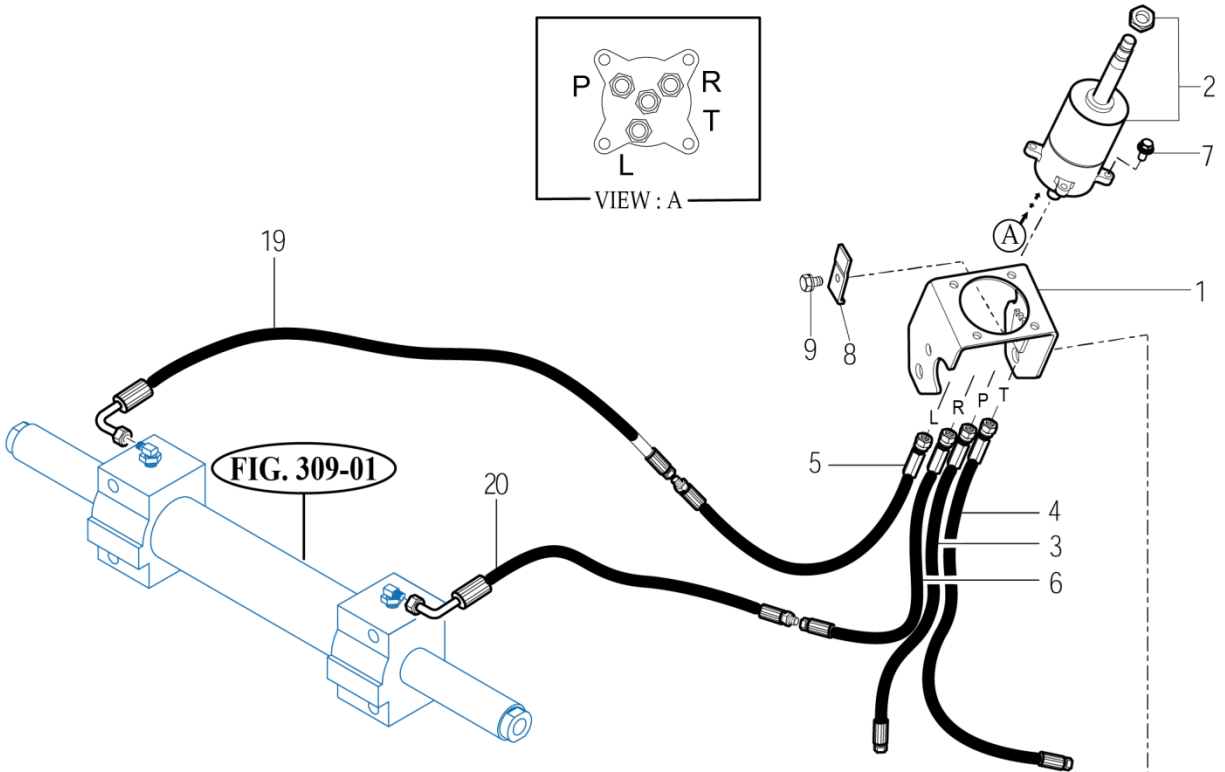
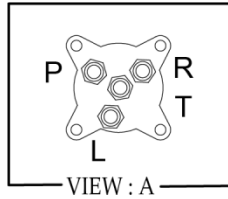


FIG. 309-01

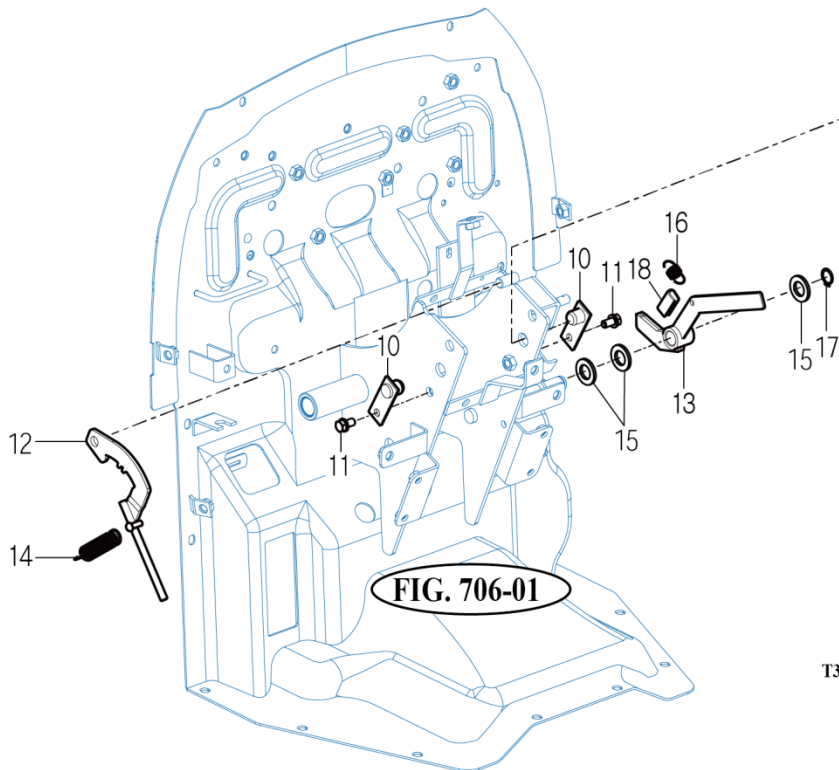


FIG. 706-01

T354NH-E-308

NOTE

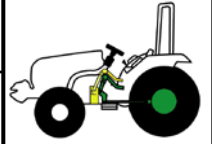
FIG 308

STEERING CYLINDER

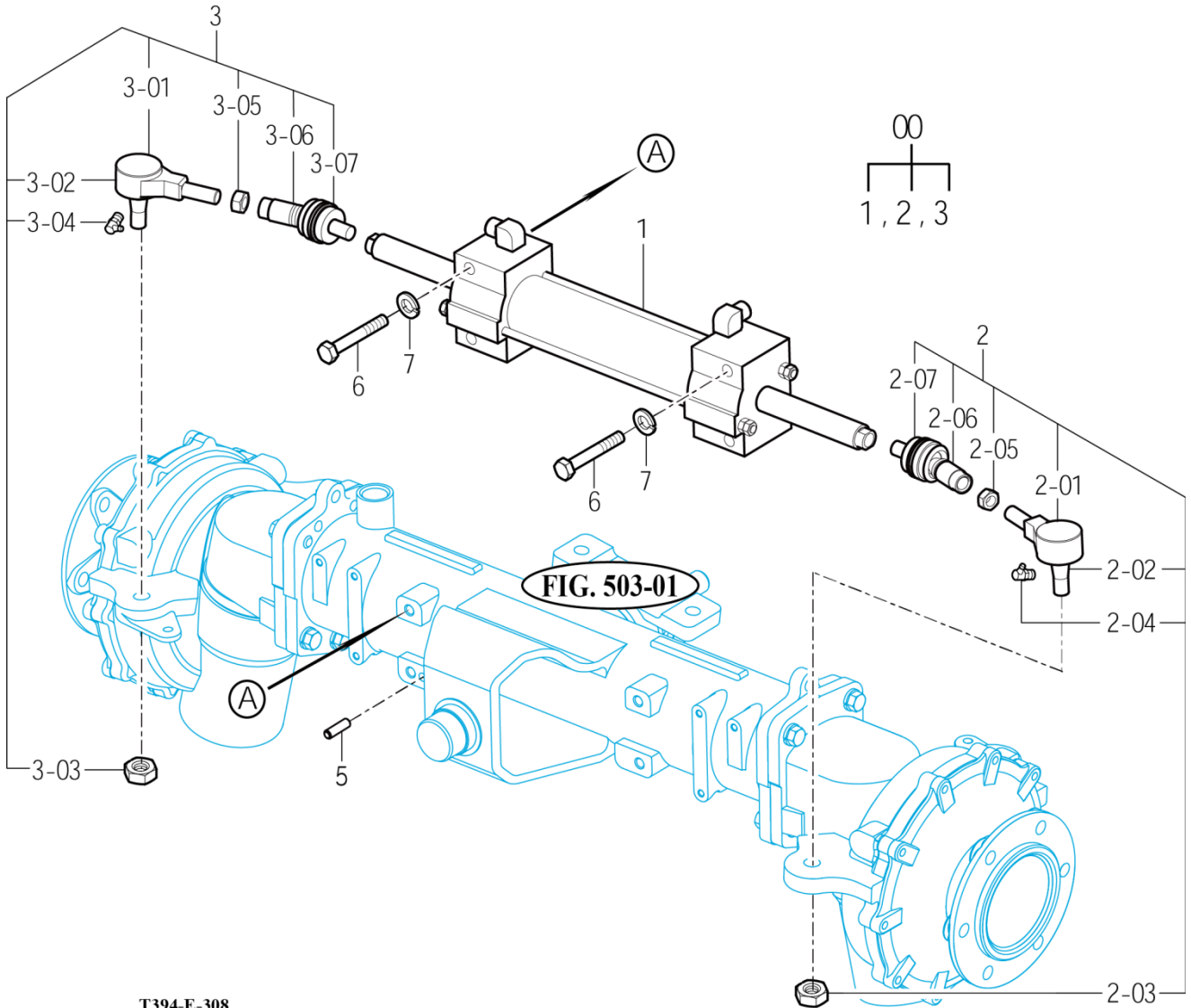
P1

Year

2017



RK37H



T394-E-308

NOTE

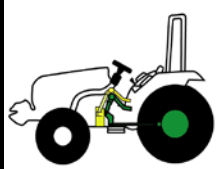
FIG 308		STEERING CYLINDER			P1	Year	
RK37H						2017	
KEY NO.	TYM PART NO.		SPEC.	QTY.	REPAIR	EFFECTIVE DATE	REMARKS
308 000	14884055001	CYLINDER ASSY		1			
308 001	14724053001	CYLINDER COMP		1	C		
308 002	16704074103	JOINT SET , LH BALL		1	C		
308 00201	16704363201	JOINT ASSY , LH BALL		1	C		
308 00202	16604362230	COVER,DUST		1			
308 00203	17682600140	NUT , NYLON	M14	1			
308 00204	V7601500000	NIPPLE , GREASE/A-M6F		1			
308 00205	V3343600160	NUT , HEX FINE/2	M16	1	C		
308 00206	13154063200	JOINT , BALL		1			
308 00207	10014363241	COVER,DUST		1			
308 003	16704074203	JOINT SET , RH BALL		1			
308 00301	16704364201	JOINT ASSY , RH BALL		1	C		
308 00302	16604362230	COVER,DUST		1			
308 00303	17682600140	NUT , NYLON		1			
308 00304	V7601500000	NIPPLE , GREASE/A-M6F		1			
308 00305	V3343600160	NUT , HEX FINE/2	M16	1	C		
308 00306	13154063200	JOINT , BALL		1			
308 00307	10014363241	COVER,DUST		1			
308 005	V5201010020	PIN , PARALLEL/A	10X20	1			
308 006	V2024612085	BOLT , HEX FINE	M12X85	4			
308 007	V4011600120	WASHER , SPRING	M12	4			
NOTE							

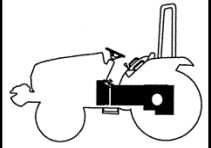
FIG 401

TRANSMISSION FRONT CASE

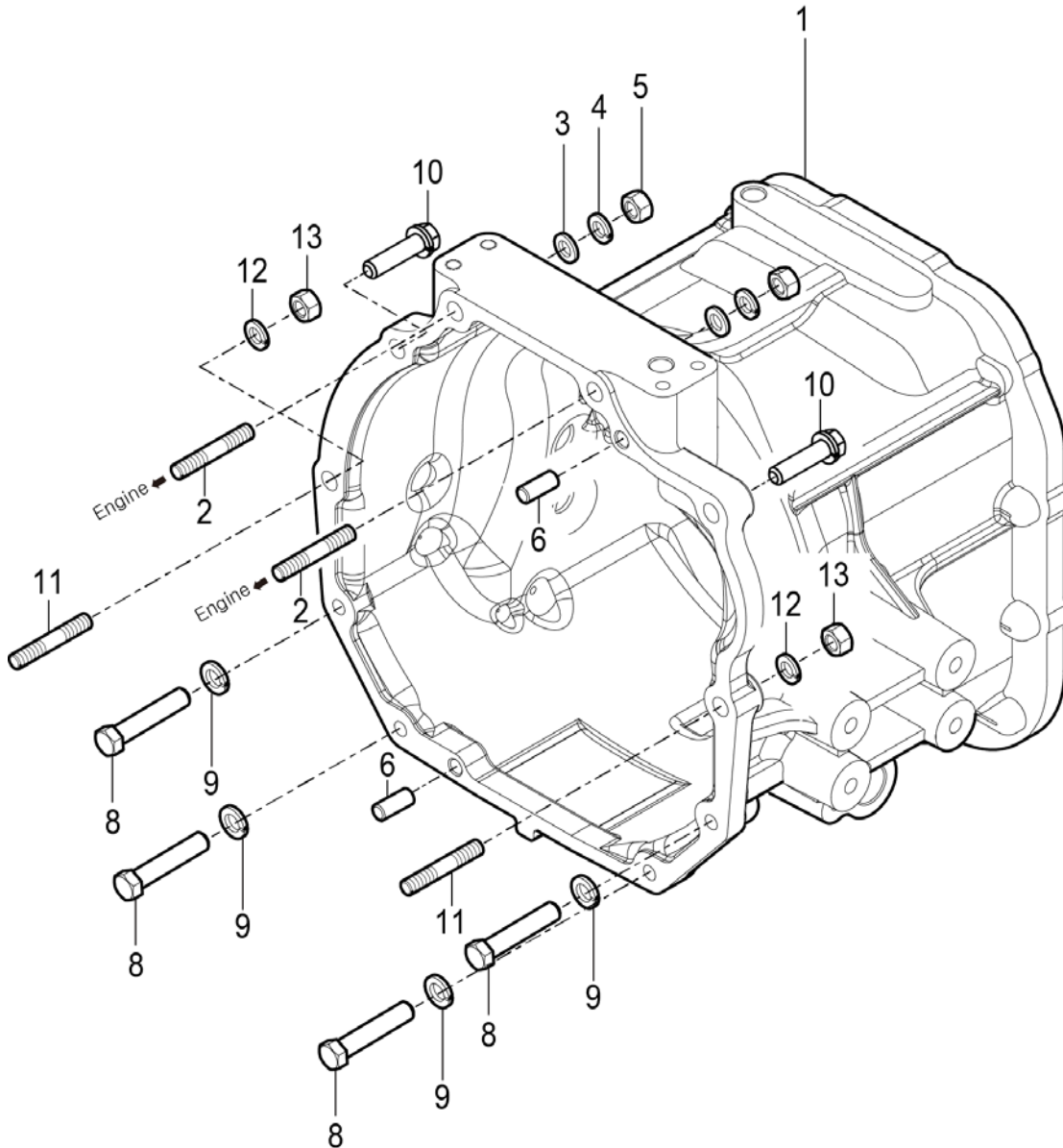
P1

Year

2017



RK37



T384NH-E-401

NOTE

FIG 402

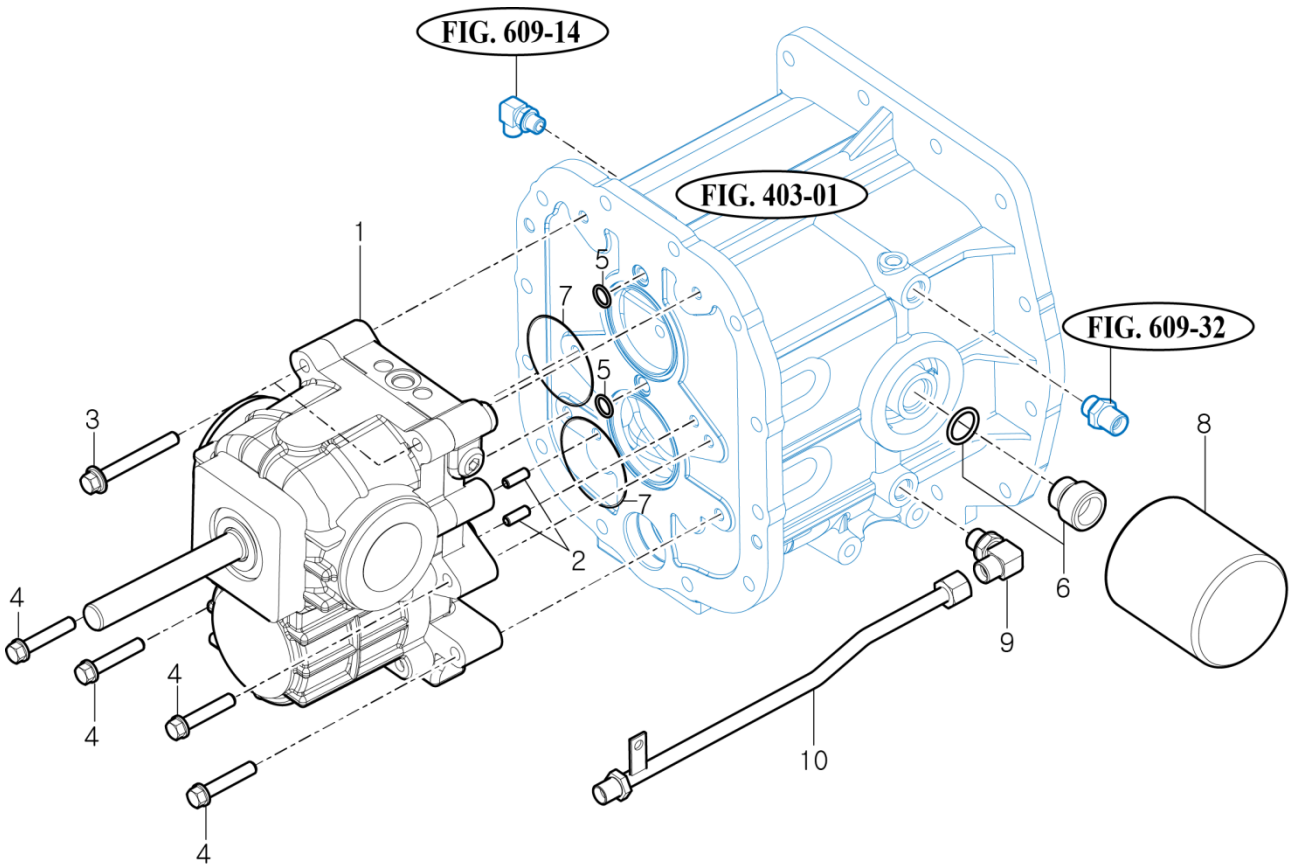
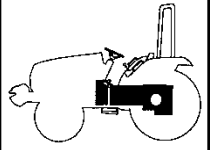
RK37

HST

P1

Year

2017



NOTE

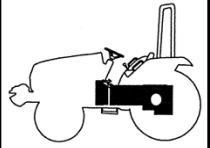
FIG 403

MID CASE

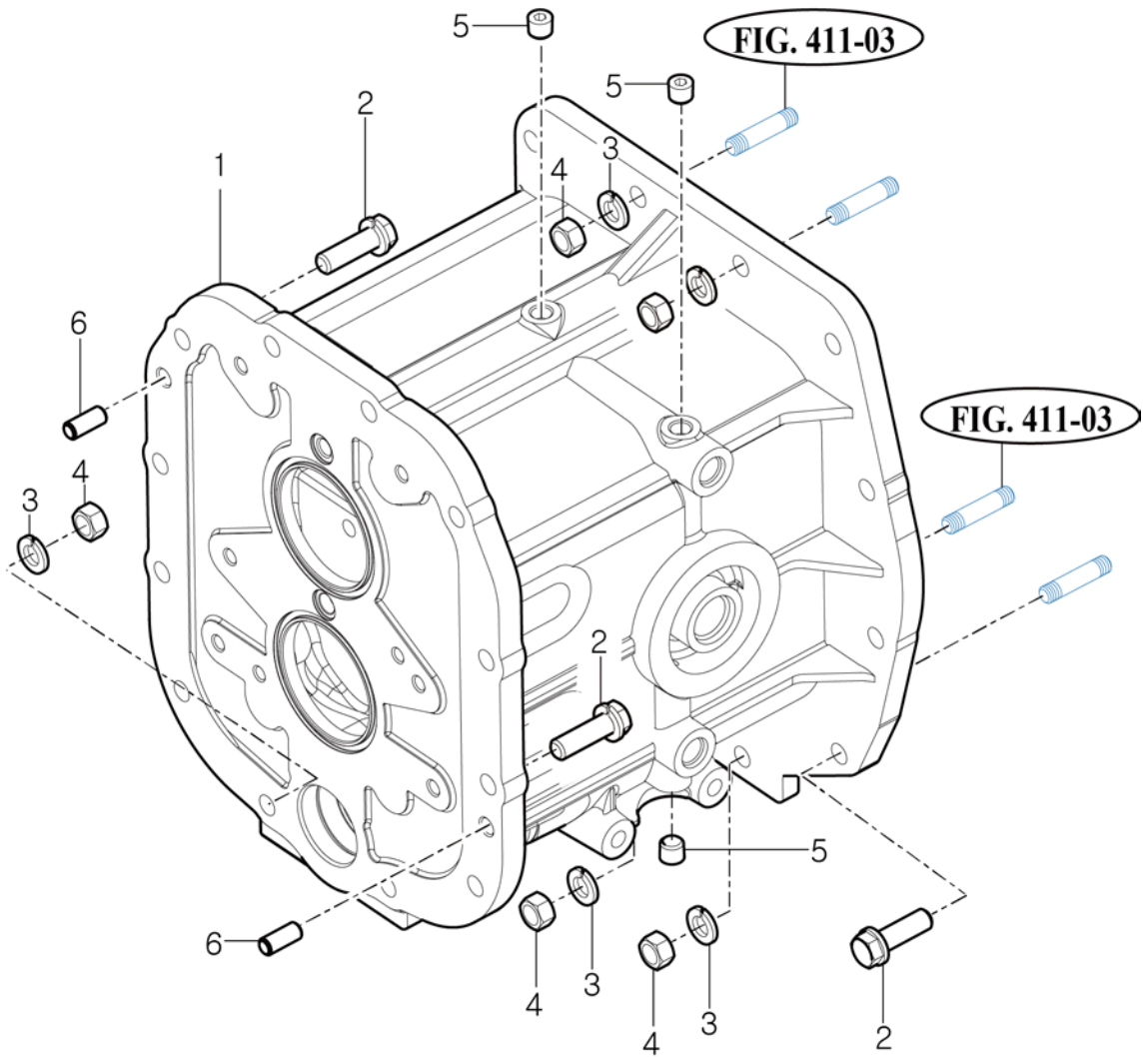
P1

Year

2017



RK37



NOTE

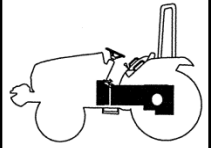
FIG 404

4WD DRIVE GEAR

P1

Year

2017



RK37

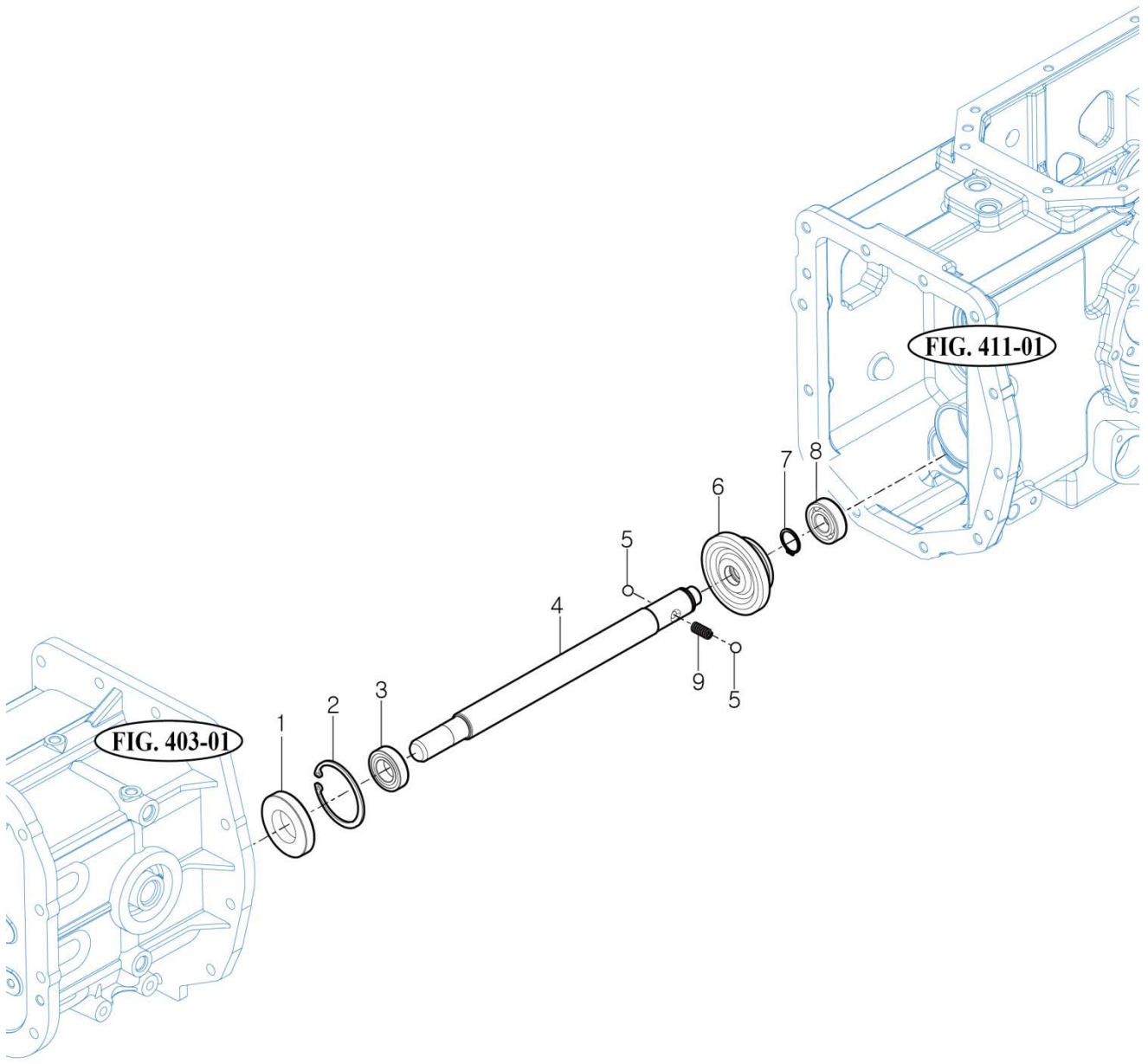


FIG. 403-01

FIG. 411-01

NOTE

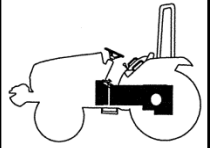
FIG 405

INPUT GEAR

P1

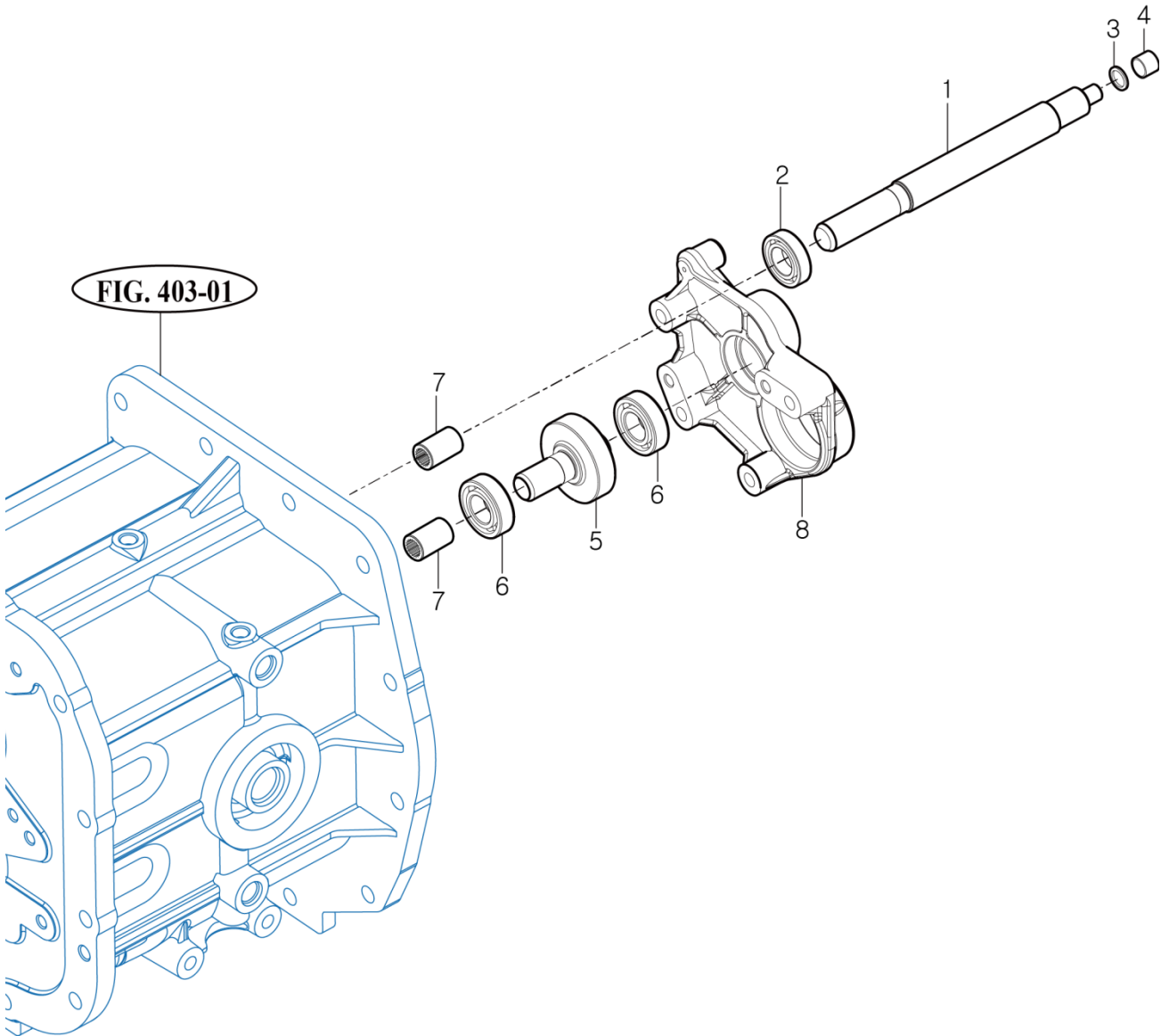
Year

2017



RK37

FIG. 403-01



NOTE

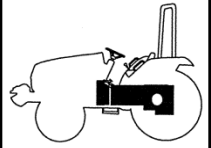
FIG 406

SUB CHANGE GEARS

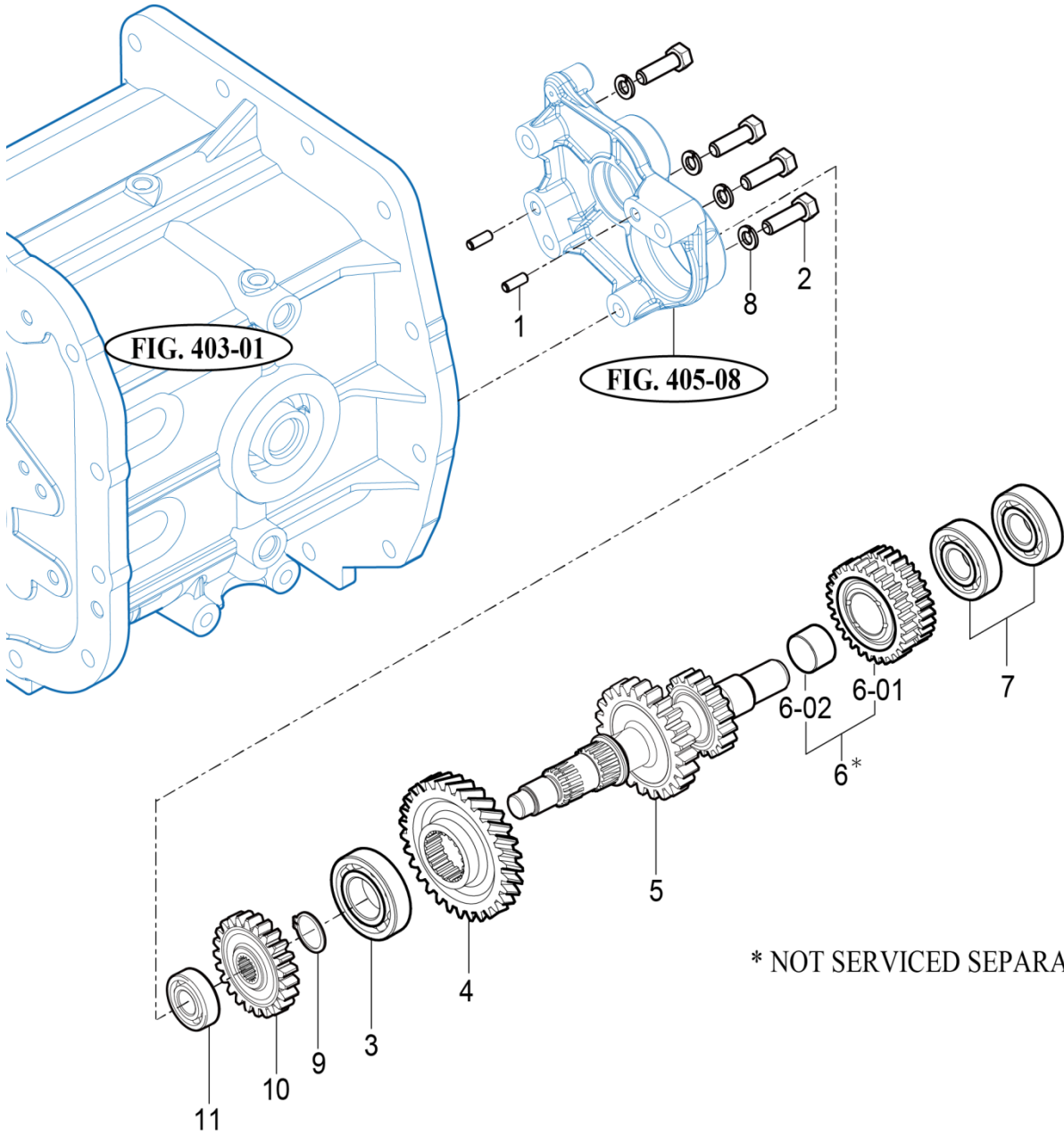
P1

Year

2017



RK37



* NOT SERVICED SEPARATELY

2538NH-E-406

NOTE

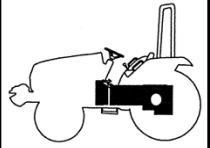
FIG 407

PINION GEARS

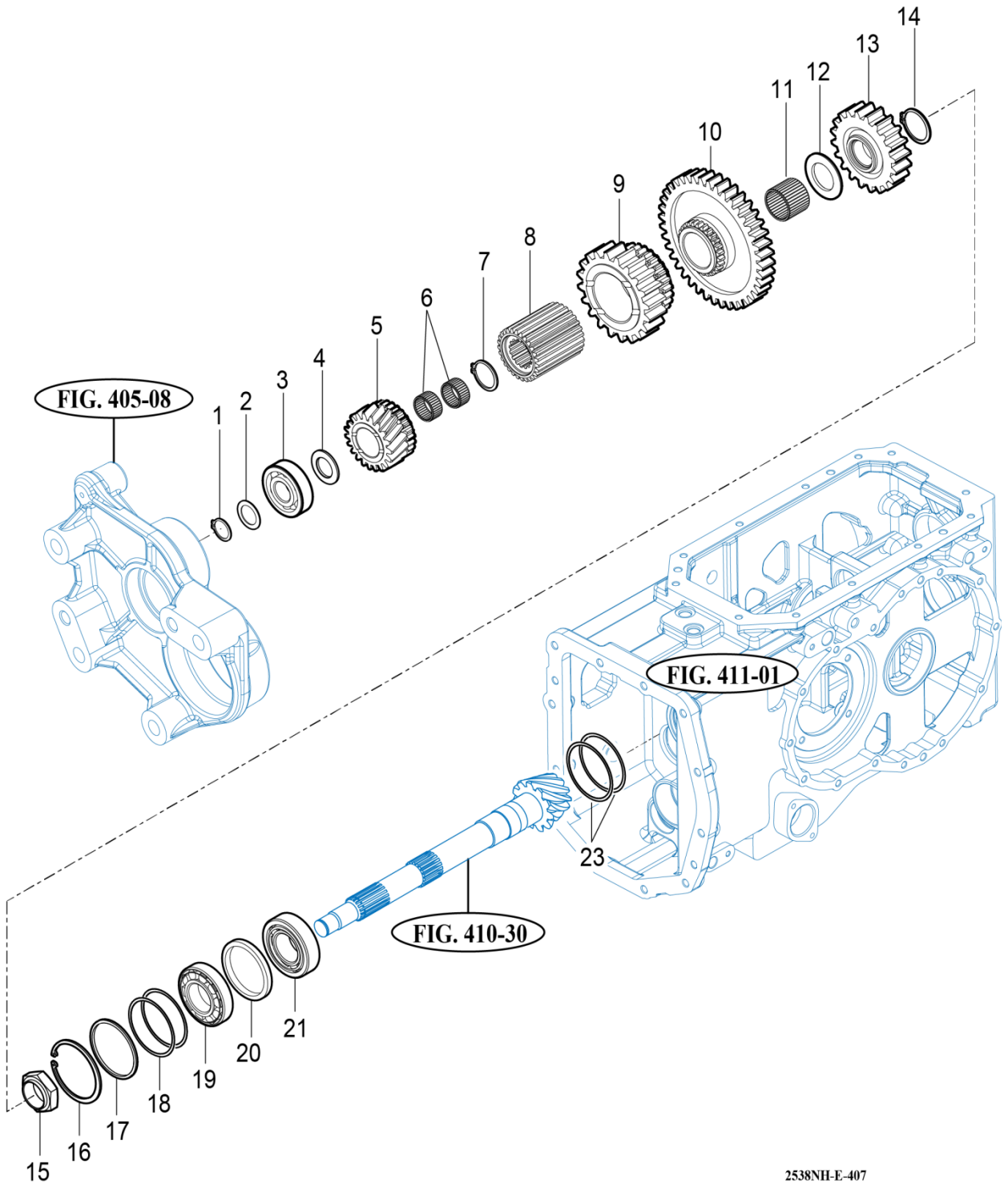
P1

Year

2017



RK37



2538NH-E-407

NOTE

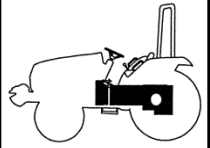
FIG 408

P.T.O DRIVE SHAFT

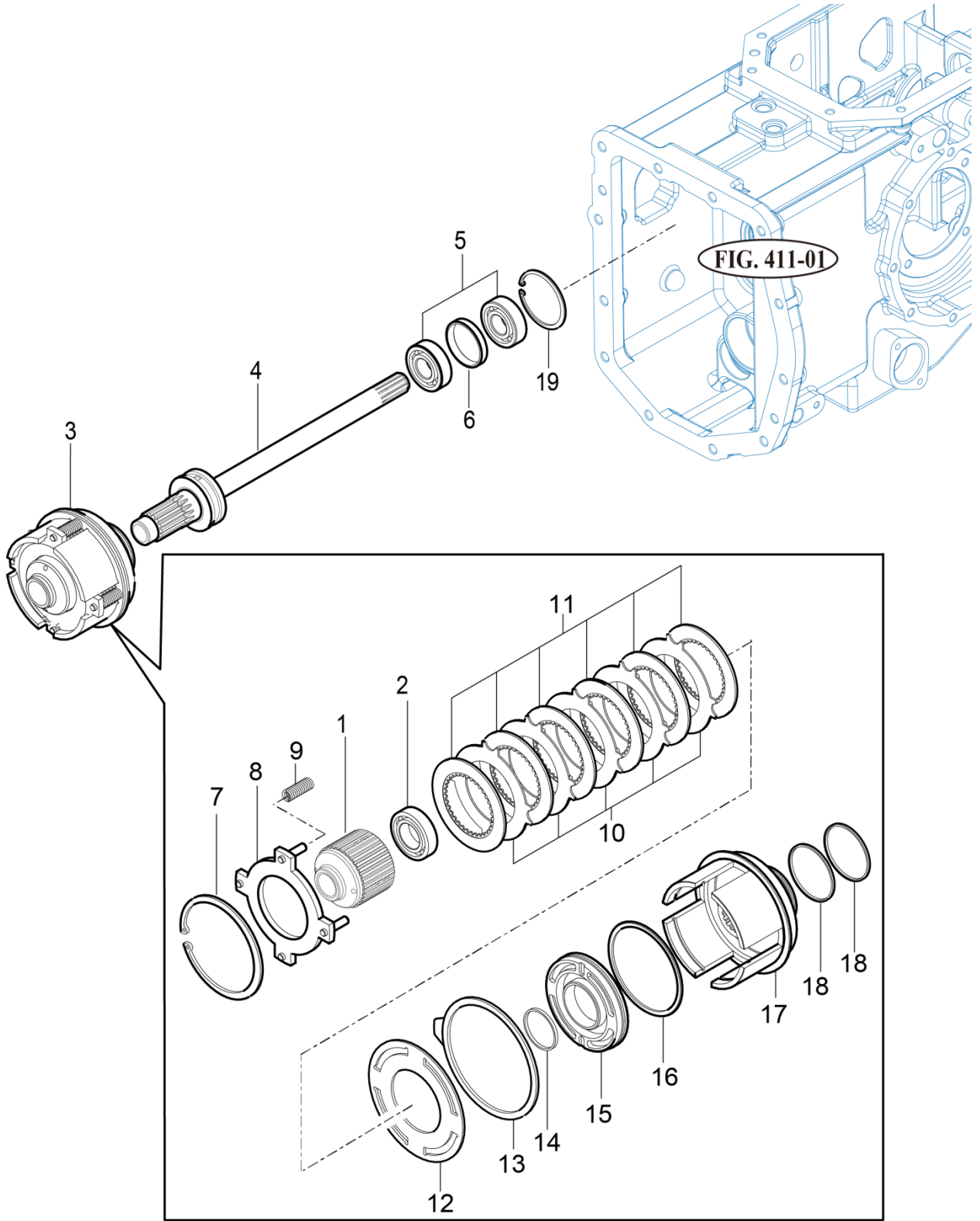
P1

Year

2017



RK37



T303/353NC-E-408

NOTE

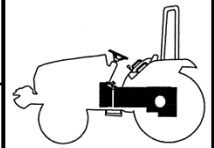
FIG 409

P.T.O CHANGE GEARS

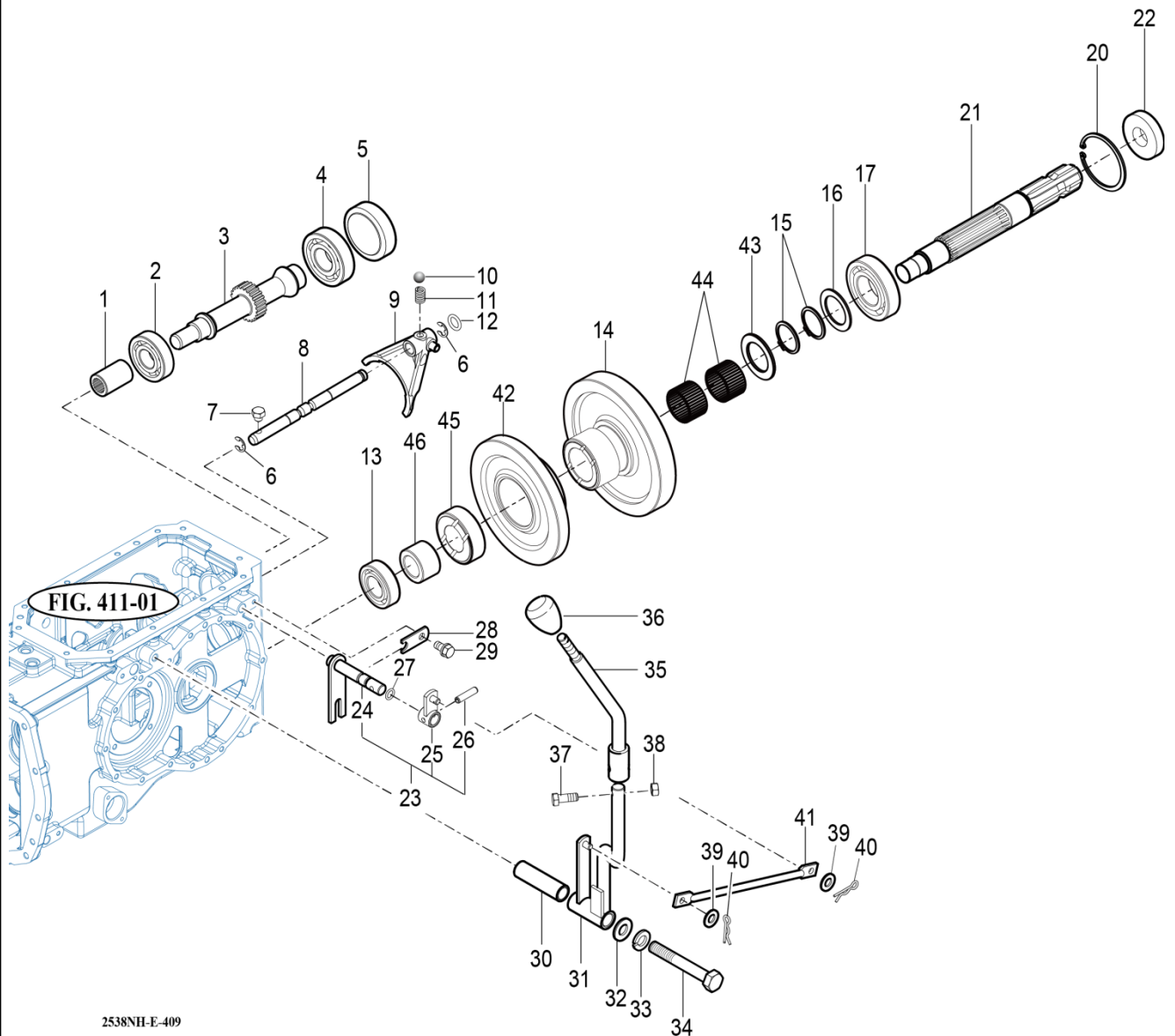
P1

Year

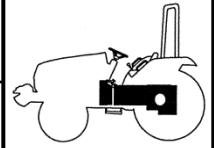
2017



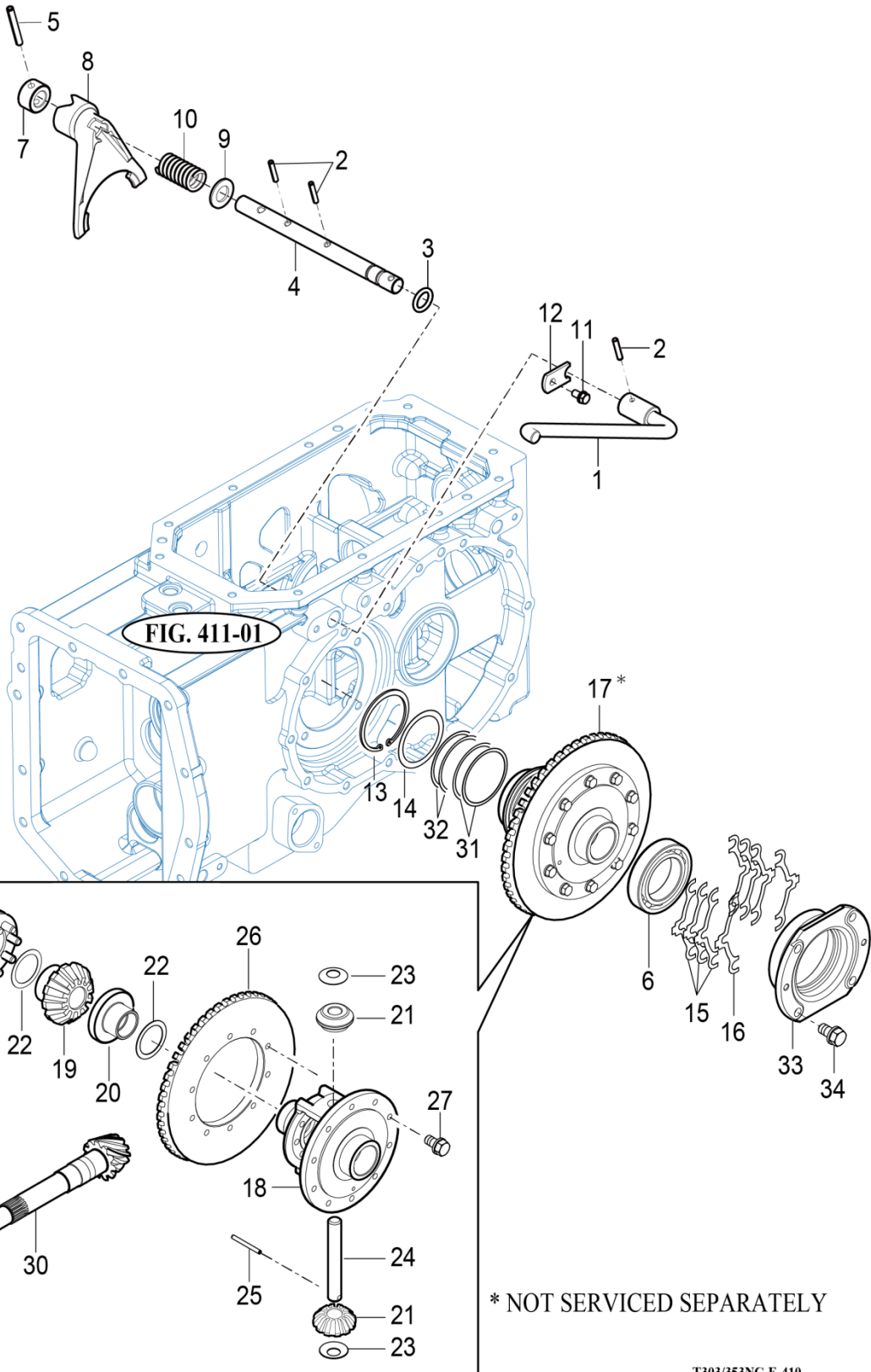
RK37



NOTE



RK37



* NOT SERVICED SEPARATELY

T303/353NC-E-410

NOTE

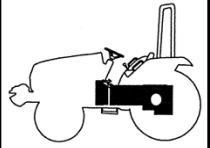
FIG 411

TRANSMISSION REAR CASE

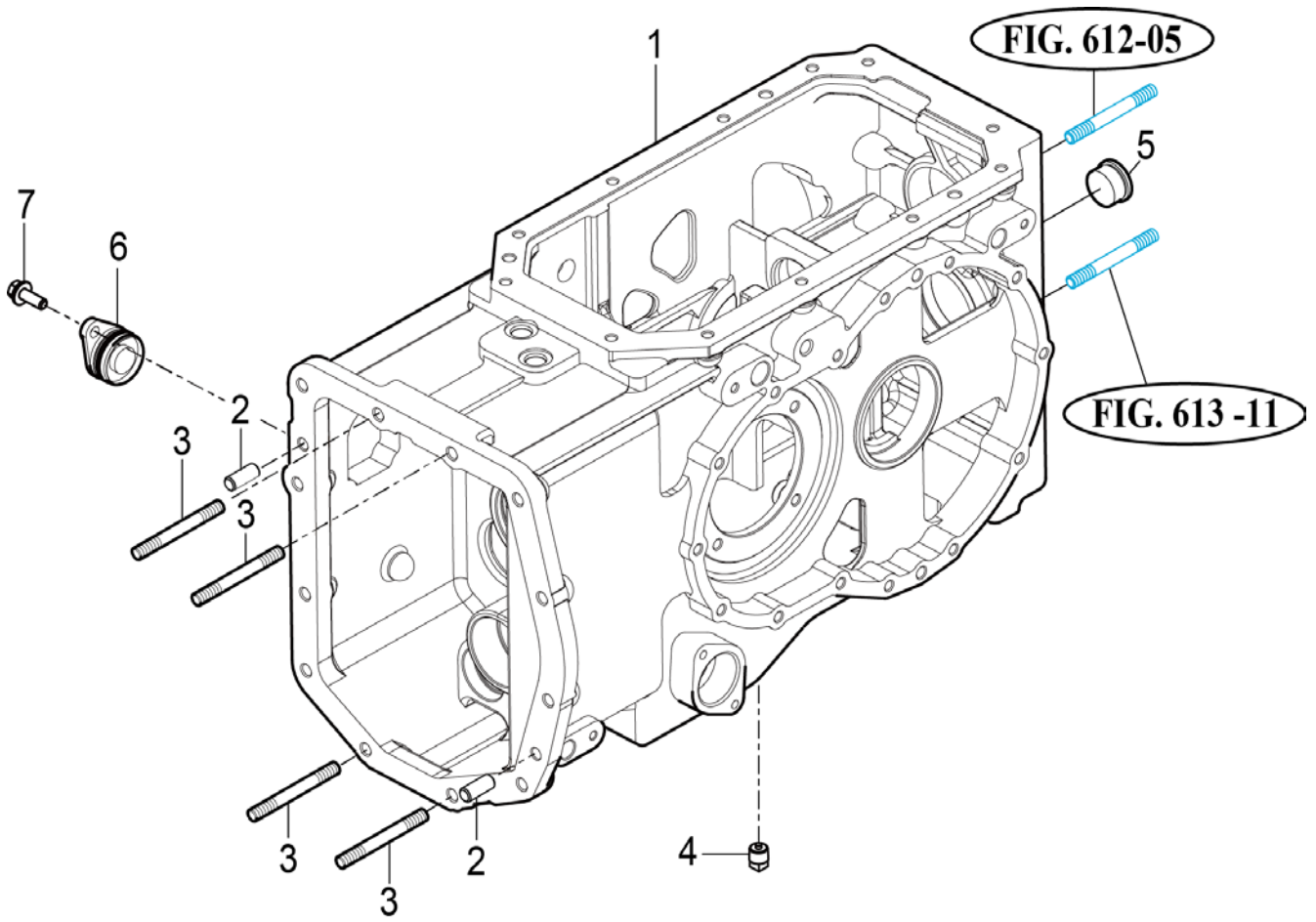
P1

Year

2017



RK37



T394NH-E-411

NOTE

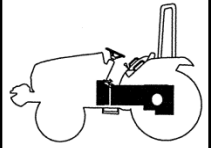
FIG 412

REAR AXLE HOUSINGS (1)

P1

Year

2017



RK37

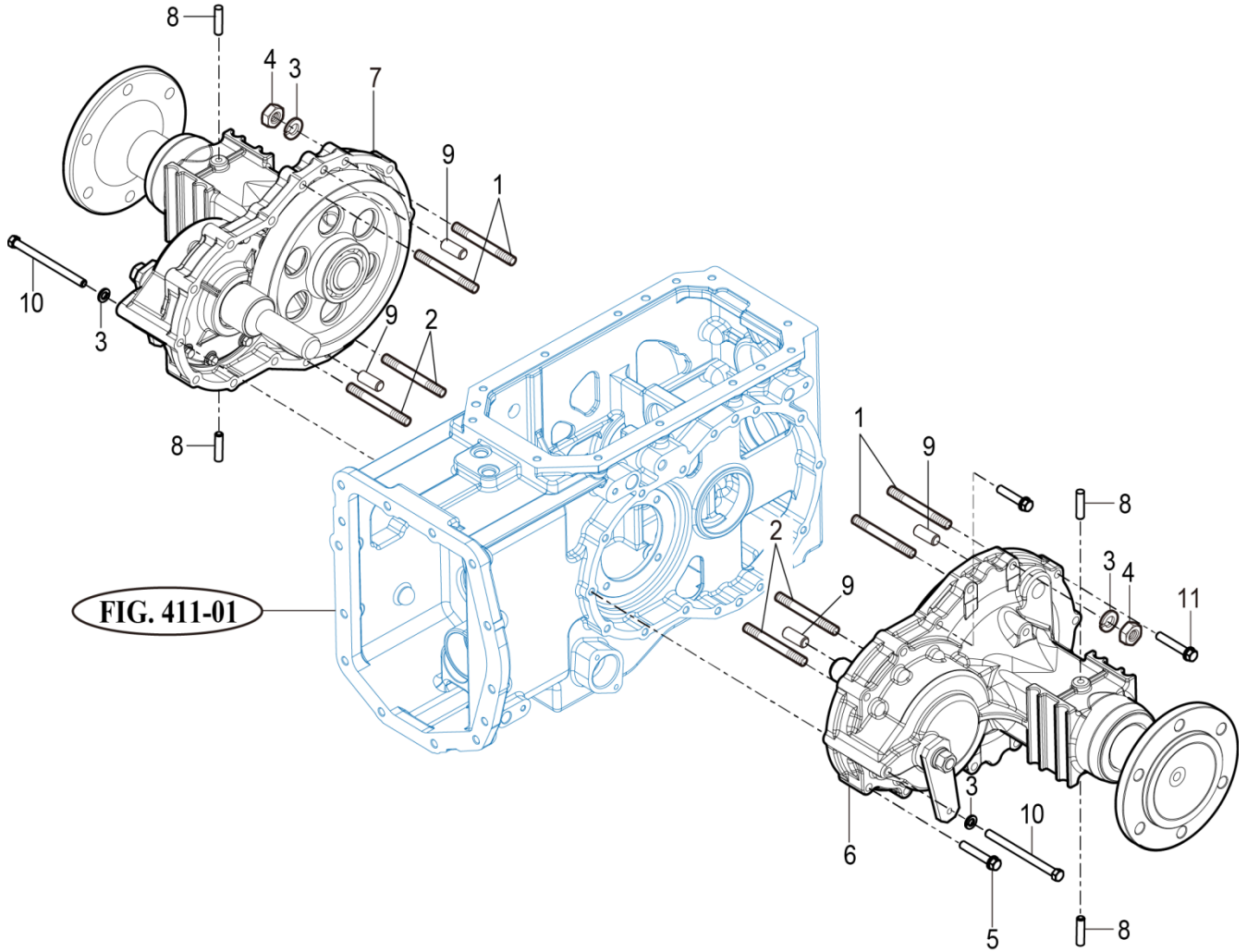


FIG. 411-01

2538NH-E-412

NOTE

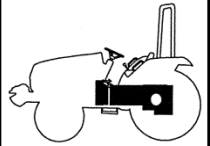
FIG 413

REAR AXLE HOUSINGS (2)

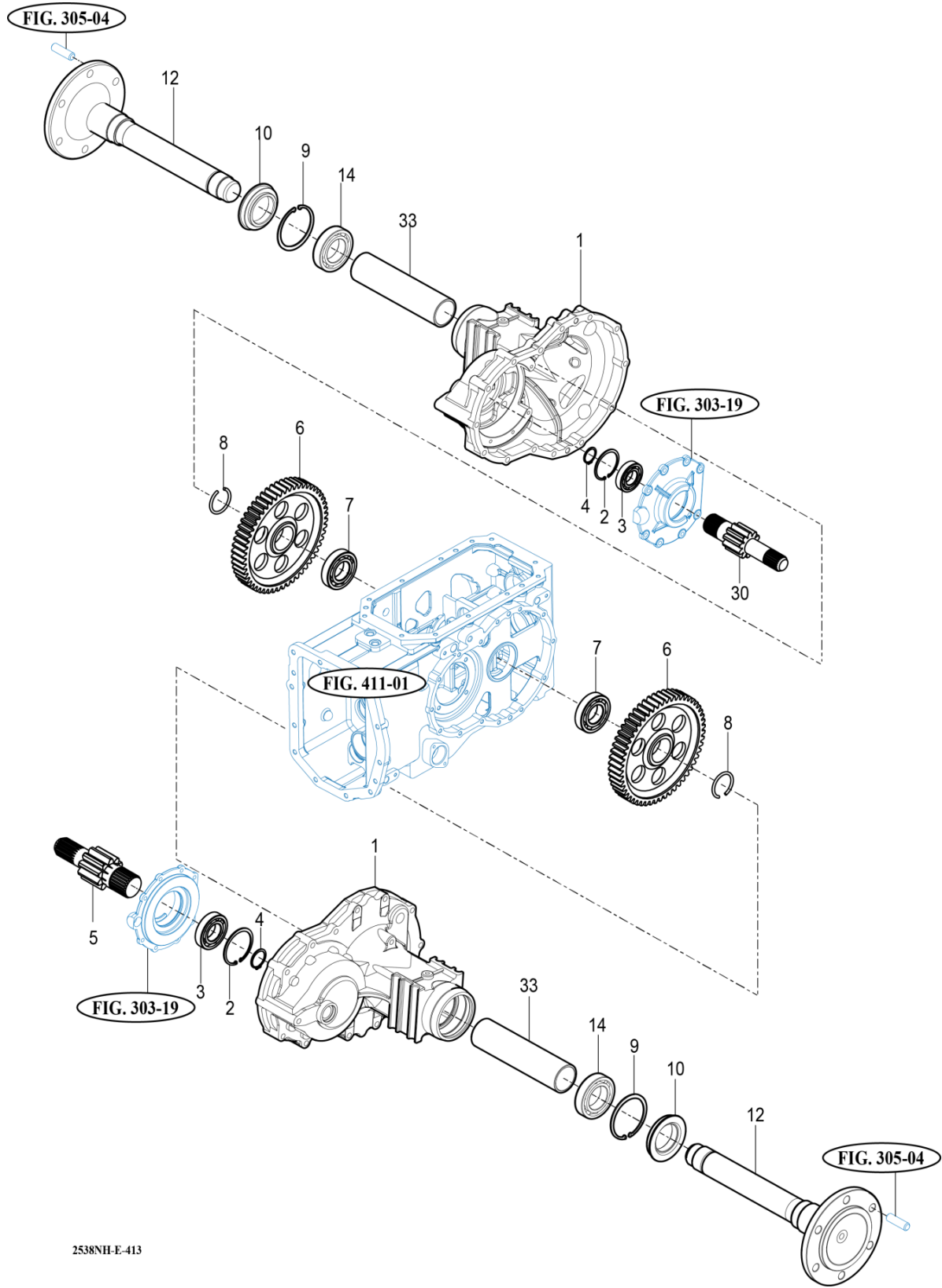
P1

Year

2017



RK37



2538NHE-413

NOTE

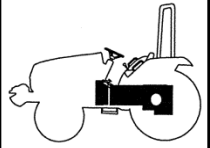
FIG 414

MID P.T.O GEARS

P1

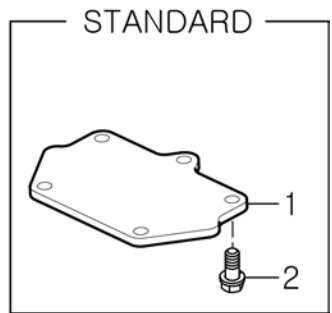
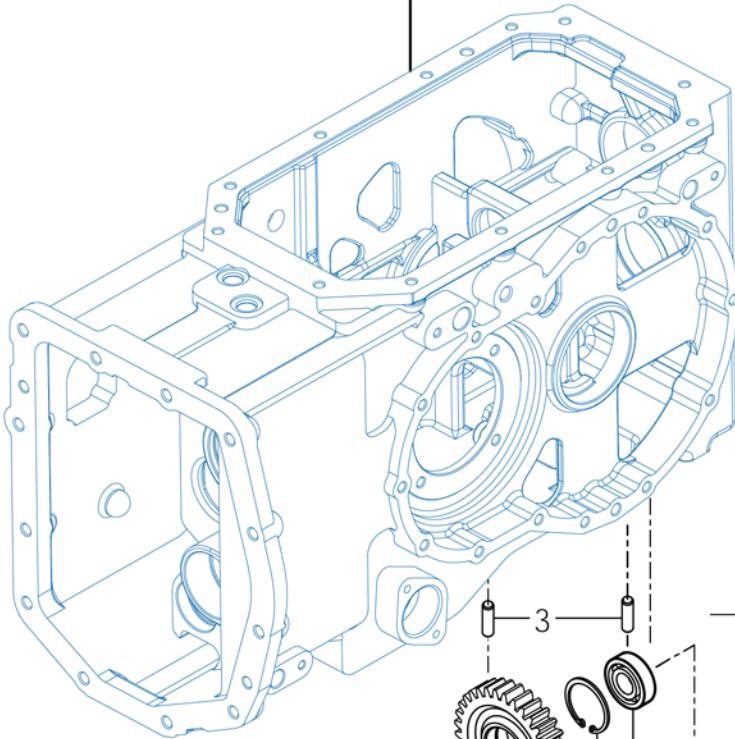
Year

2017

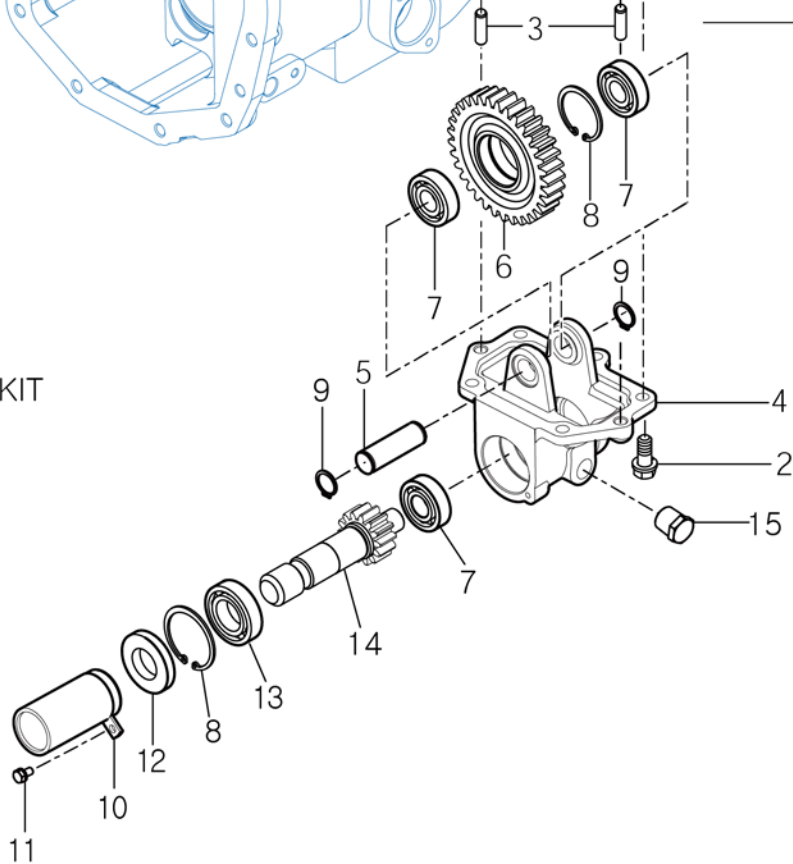


RK37

FIG. 411-01



16
4 ~ 15
OPTION KIT



2538NH-E-414

NOTE

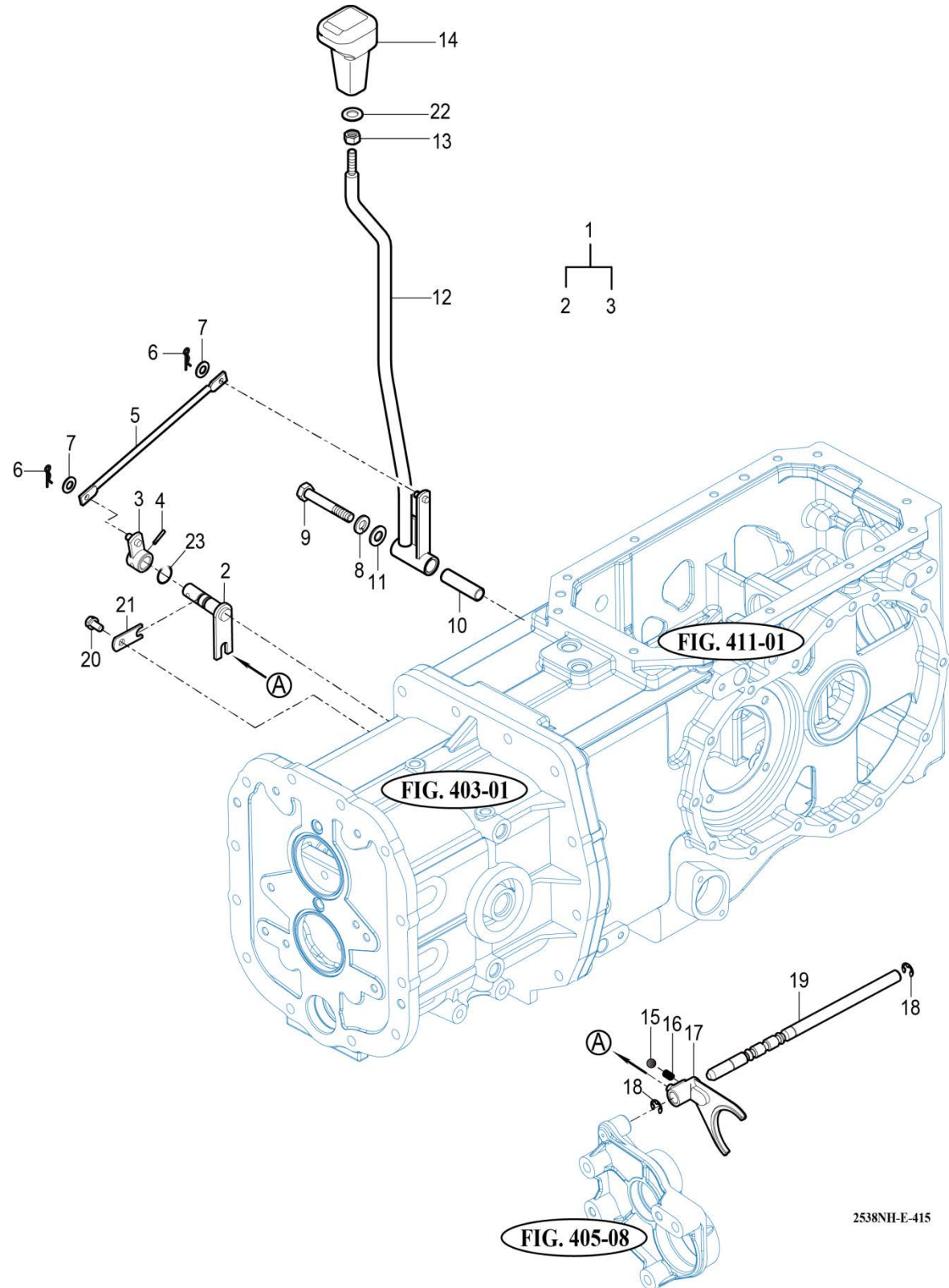
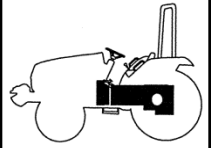
FIG 415

SUB CHANGE LEVER

P1

Year

2017



NOTE

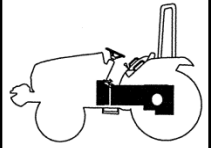
FIG 416

FORWARD & REVERSE CONTROL LINKAGE

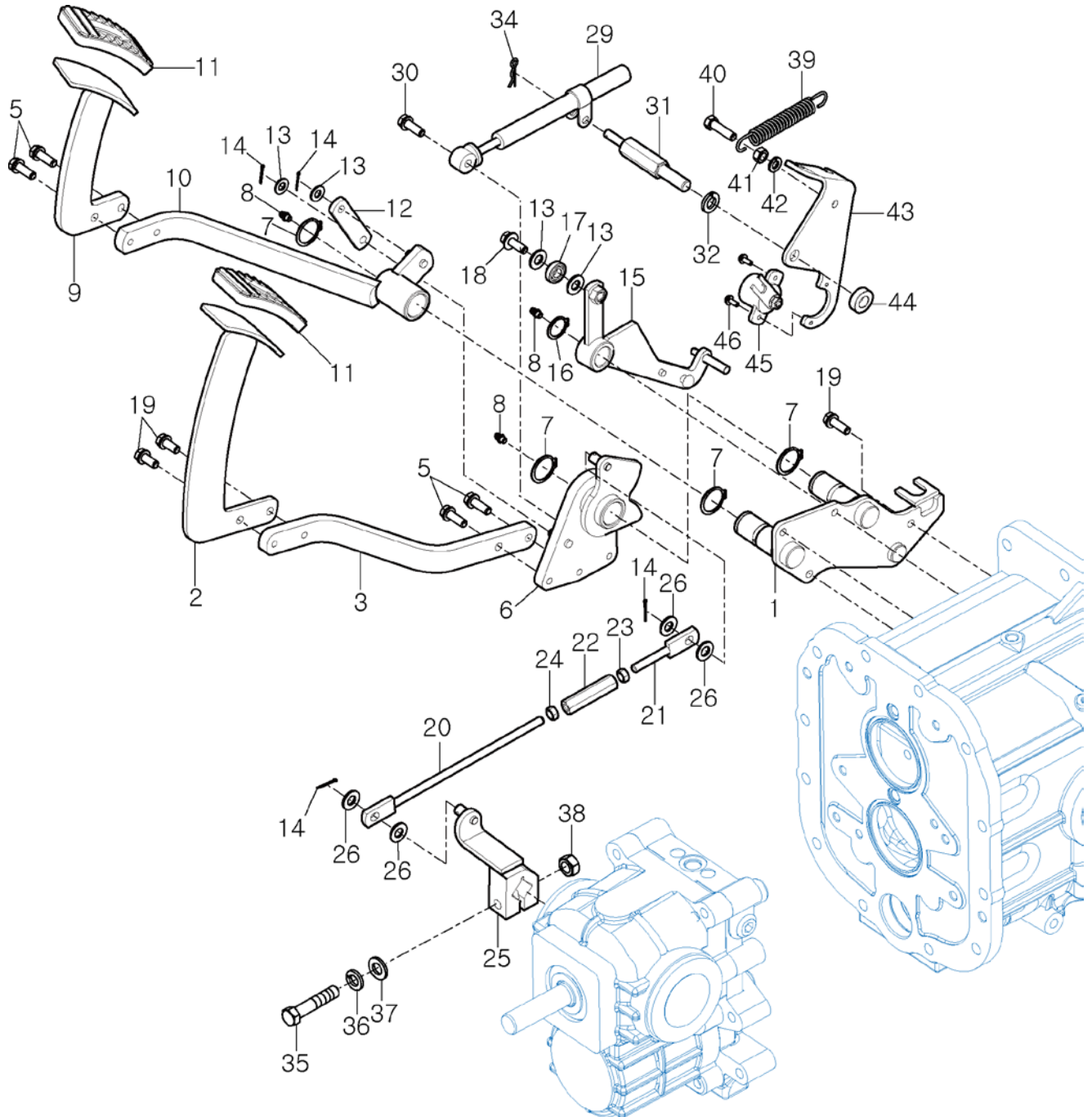
P1

Year

2017



RK37



NOTE

FIG 416		FORWARD & REVERSE CONTROL LINKAGE			P1	Year	
RK37H						2017	
KEY NO.	TYM PART NO.	DESCRIPTION	SPEC.	QTY.	REPAIR	EFFECTIVE DATE	REMARKS
416 001	12382313201	BRACKET COMP, HST PEDAL		1			
416 002	14722312703GB	PEDAL COMP , FORWARD		1			
416 003	14722310052	PLATE , FORWARD		1			
416 005	V2173608025	BOLT , HEX/S	M8X25	4			
416 006	12382312300	ARM COMP , FORWARD		1			
416 007	V7041400250	C-RING , SHAFT	25	4			
416 008	V7601500000	NIPPLE , GREASE/A-M6F		3			
416 009	14722312802GB	PEDAL COMP , REVERSE		1			
416 010	14722312603	ARM COMP		1			
416 011	14722312730	PAD		2			
416 012	14722310023	PLATE , REVERSE		1			
416 013	V4111600080	WASHER , PLAIN	M8	3		-2017.10.09	
416 013	V4111600080	WASHER , PLAIN	M8	4		2017.10.10-	
416 014	V5001920020	PIN , SPLIT	2X20	4			
416 015	12382312500	ARM COMP , CAM FOLLOWER		1		-2017.06.19	
416 015	10532312600	ARM COMP , CAM FOLLOWER		1		2017.06.20-10.09	
416 015	10532312601	ARM COMP , CAM FOLLOWER		1		2017.10.10-	
416 016	V7041400200	C-RING , SHAFT		1			
416 017	14722310060	BEARING , BALL		1			
416 018	V2183608025	BOLT , HEX/SP	M8X25	1		-2017.10.09	
416 018	V2013608025	BOLT , HEX	M8X25	1		2017.10.10-	
416 019	V2173608025	BOLT , HEX/S	M8X25	6			
416 020	12382325100	ROD COMP , LH		1			
416 021	11102325200	ROD COMP , RH		1			
416 022	16601220020	TURNBUCKLE , M8 L60		1			
416 023	V3042600080	NUT , HEX/2	M8	1			
416 024	15601320073	NUT , HEX LH		1			
416 025	12382312101	BRACKET COMP , HOLDER		1			
416 026	V4111600100	WASHER , PLAIN	M10	4			
416 029	14722312401	DAMPER , OIL		1			
416 030	V2183608035	BOLT , HEX/SP	M8X35	1			
416 031	14722310041	PIN , OIL DAMPER		1		-2017.06.19	
416 031	10532310090	PIN , OIL DAMPER		1		2017.06.20-	
416 032	V4011600120	WASHER , SPRING	M12	1			
416 034	V5601600008	PIN , SNAP		1			
416 035	V2173610055	BOLT , HEX/S	M10X55	1			
416 036	V4011600100	WASHER , SPRING	M10	1			
416 037	V4111600100	WASHER , PLAIN	M10	1			
416 038	V3043600100	NUT , HEX/2	M10	1			
416 039	14722310033	SPRING , RETURN		1			
416 040	V2013608035	BOLT , HEX	M8X35	1			
416 041	V3042600080	NUT , HEX/2	M8	1			
416 042	V4011600080	WASHER , SPRING		1		2017.06.20-	
416 043	10531163810	BRACKET , P		1		2017.06.20-	
416 044	10532310080	COLLAR , 12X24X8		1		2017.06.20-	
416 045	14545300020	POTENTIOMETER ASSY		1		2017.09.01-	
416 046	V1222604012	SCREW , C/R PAN/SP	M4X12	2		2017.09.01-	
NOTE							

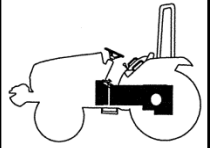
FIG 417

CRUISE CONTROL

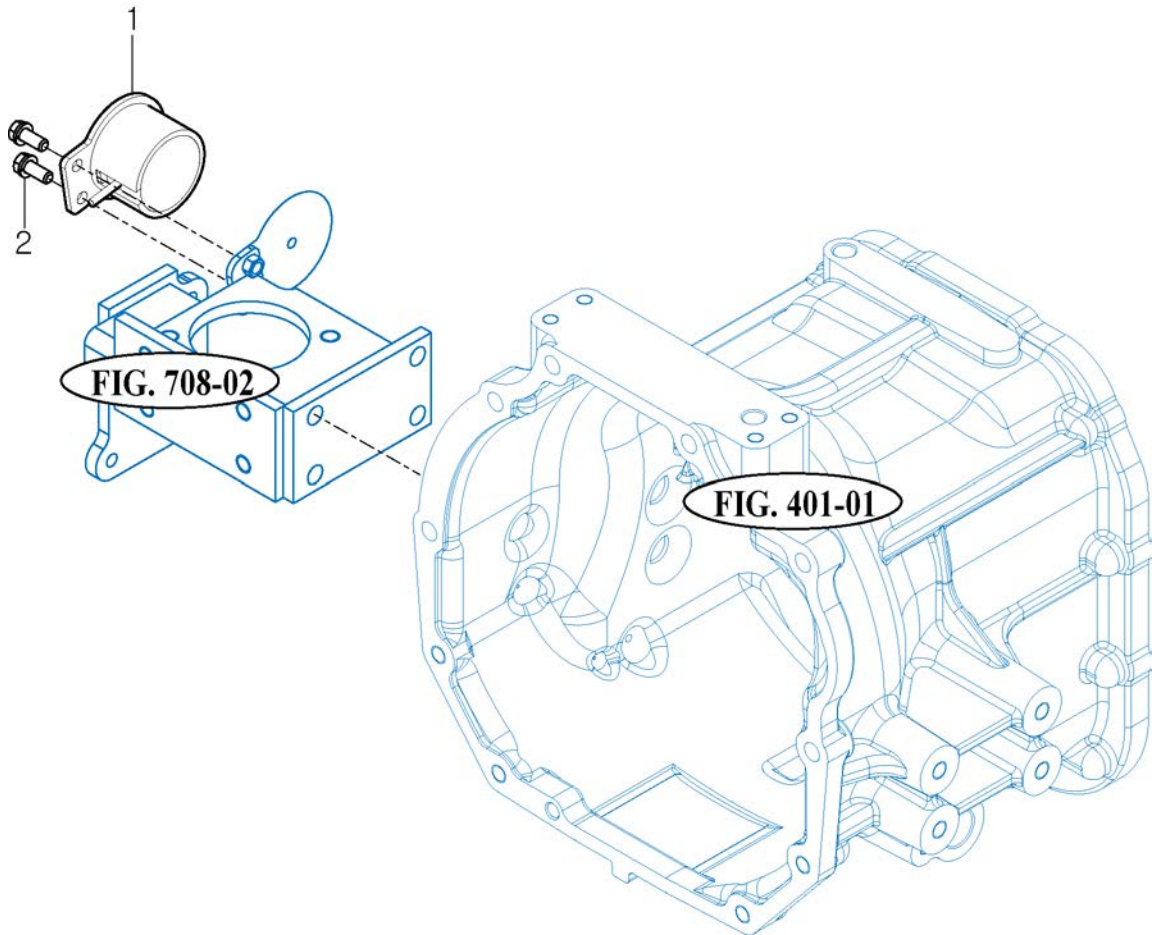
P1

Year

2017



RK37



NOTE

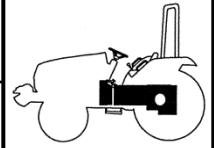
FIG 418

4WD CHANGE LEVER

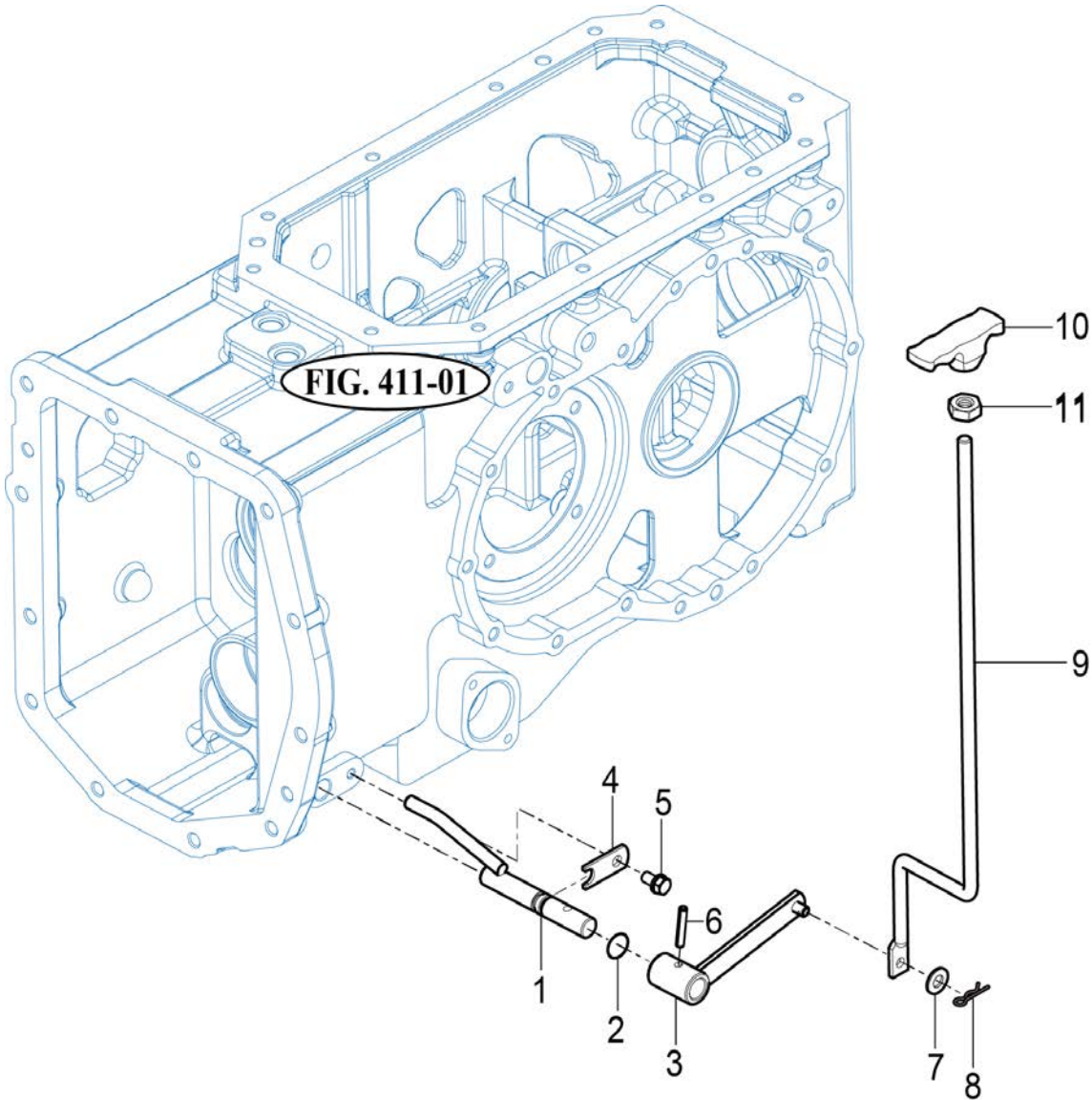
P1

Year

2017



RK37



2538NH-K-418

NOTE

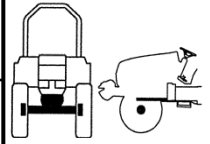
FIG 501

FRONT AXLE BRACKET

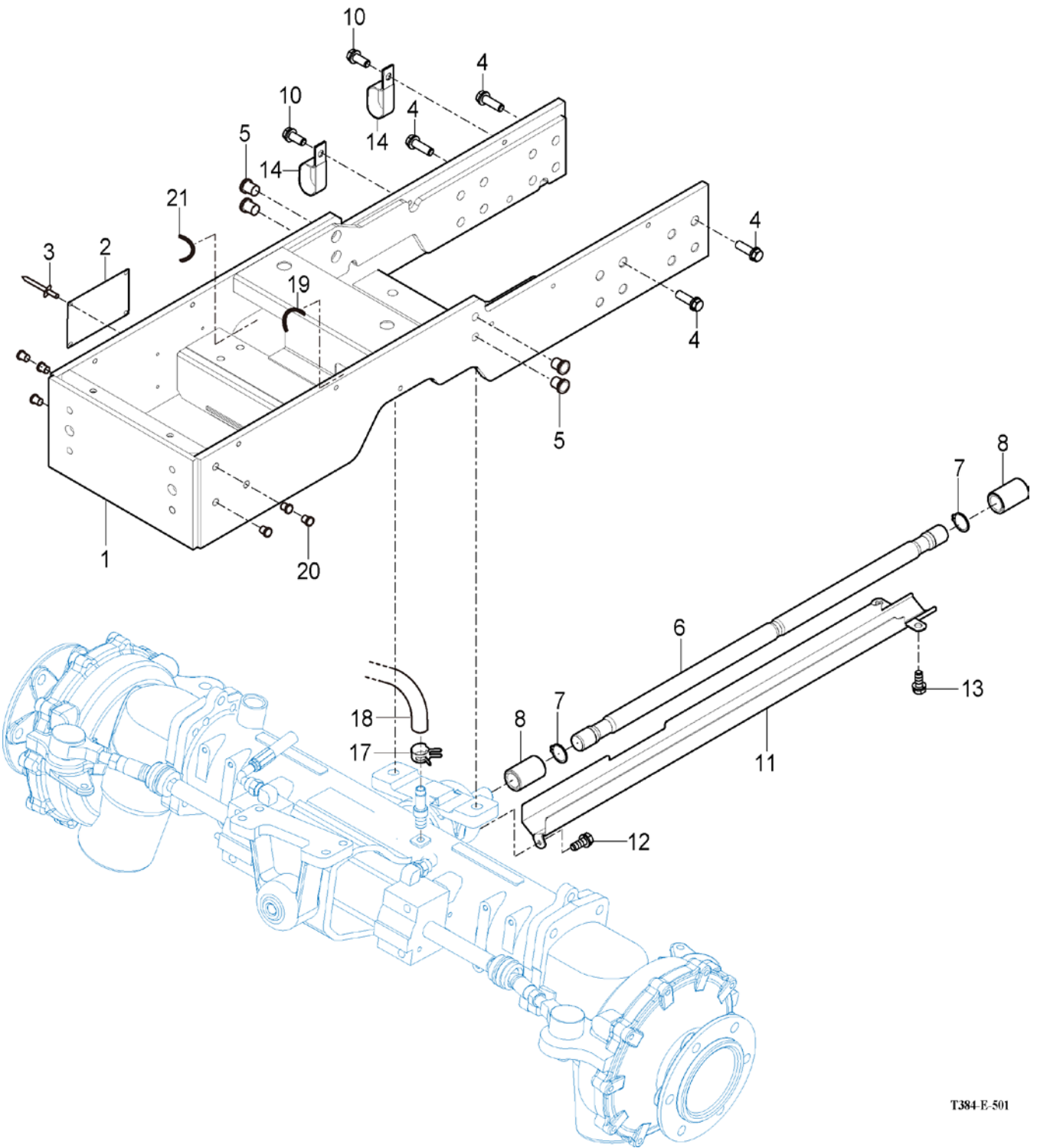
P1

Year

2017



RK37H



T384-E-501

NOTE

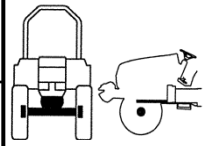
FIG 502

FRONT DIFFERENTIAL GEARS

P1

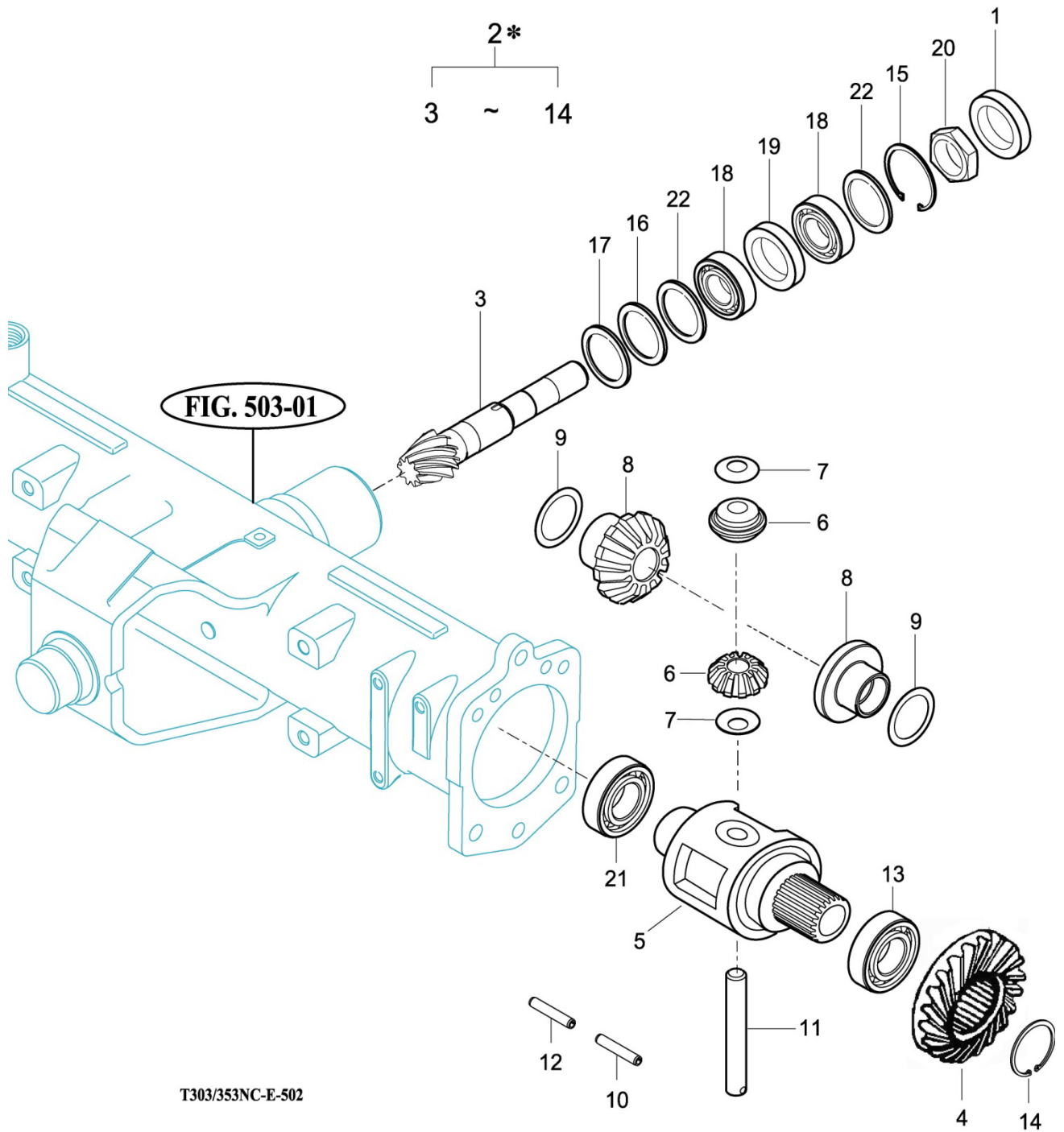
Year

2017



RK37H

* NOT SERVICED SEPARATELY



NOTE

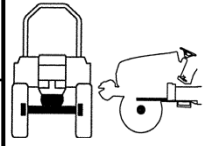
FIG 503

FRONT AXLE HOUSING

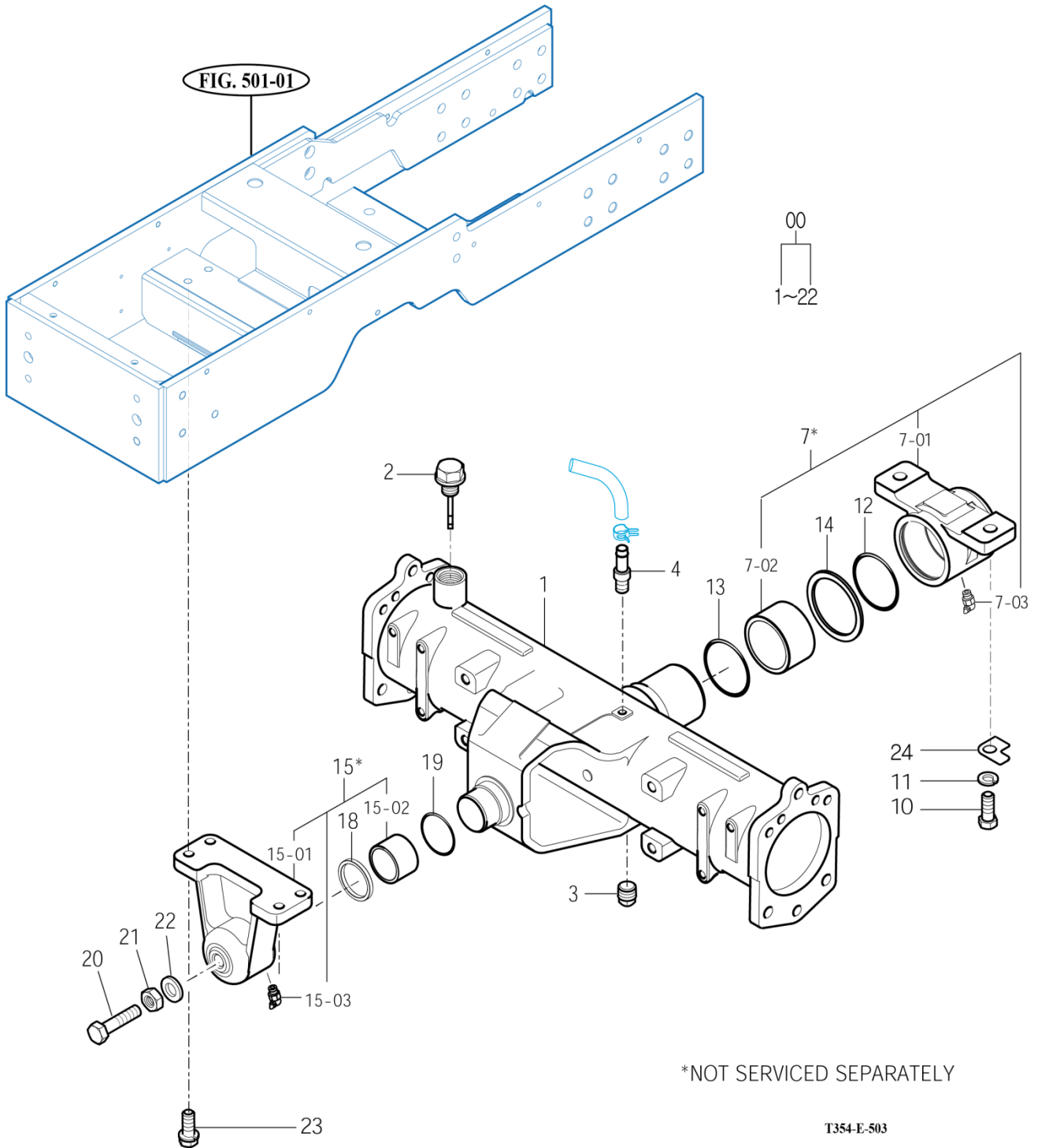
P1

Year

2017



RK37H



NOTE

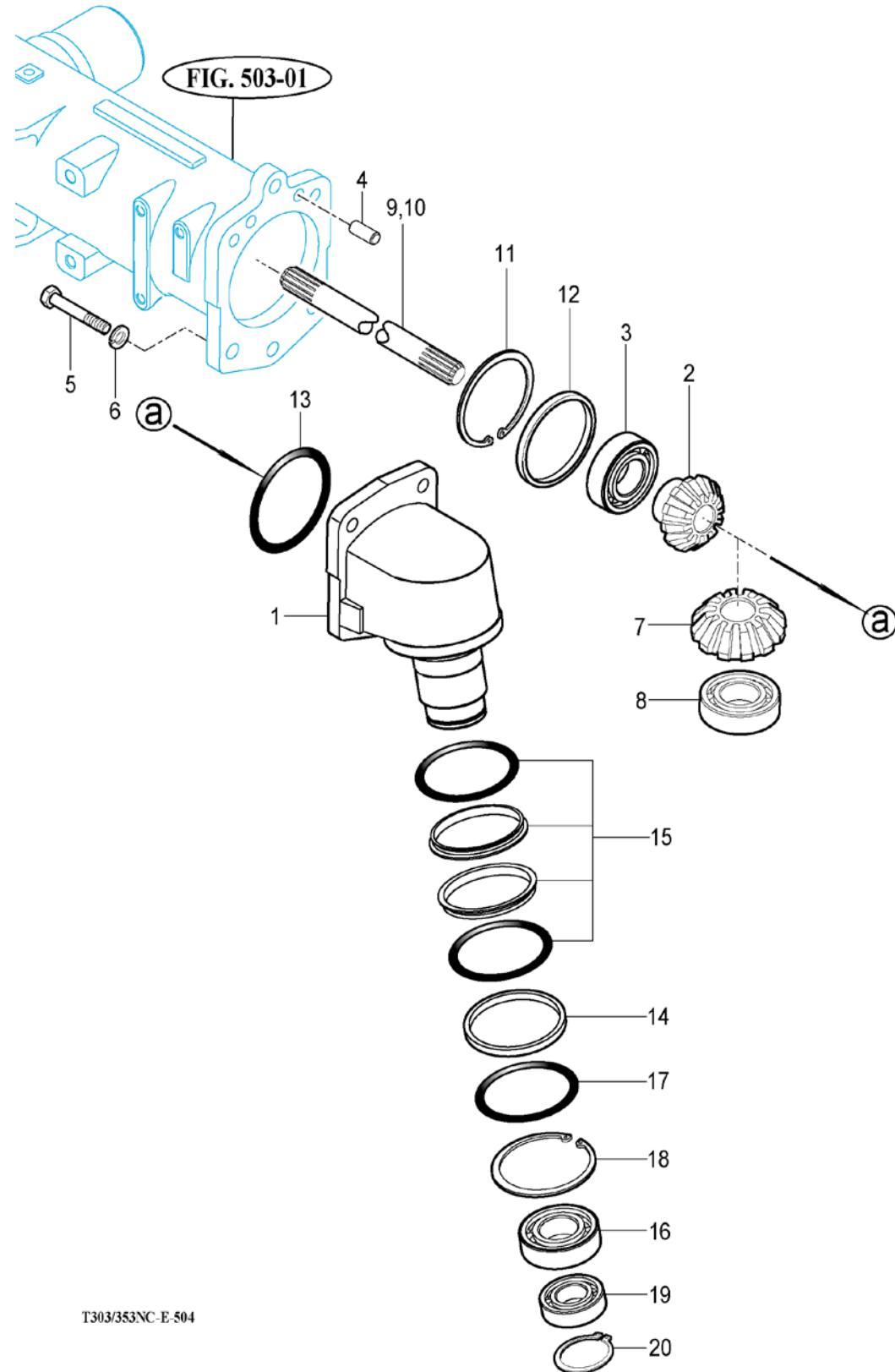
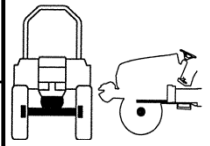
FIG 504

FRONT GEAR CASE (1)

P1

Year

2017



T303/353NC-E-504

NOTE

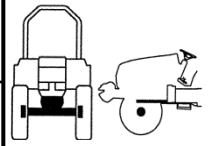
FIG 505

FRONT GEAR CASE (2)

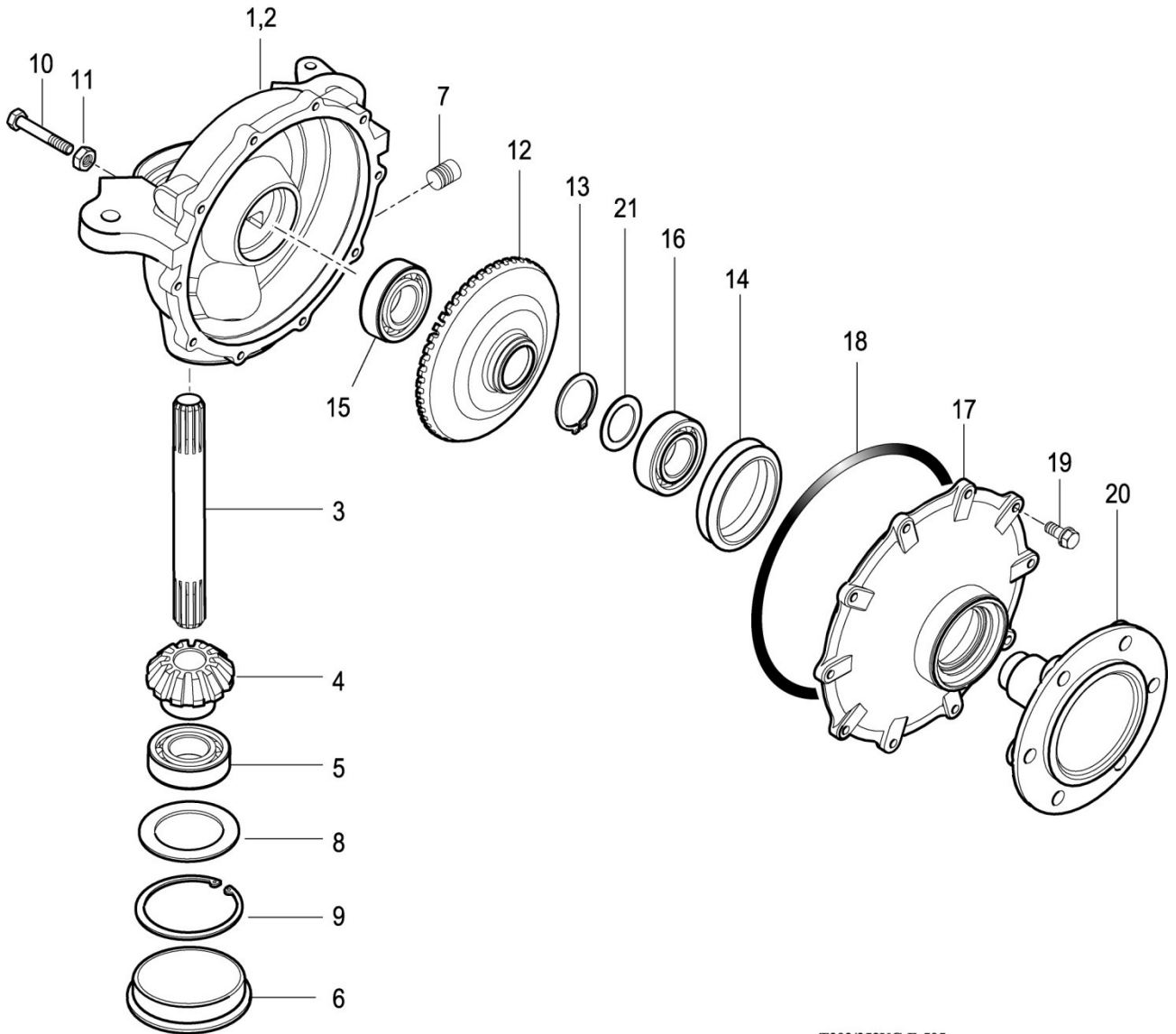
P1

Year

2017



RK37H



T303/353NC-E-505

NOTE

FIG 601

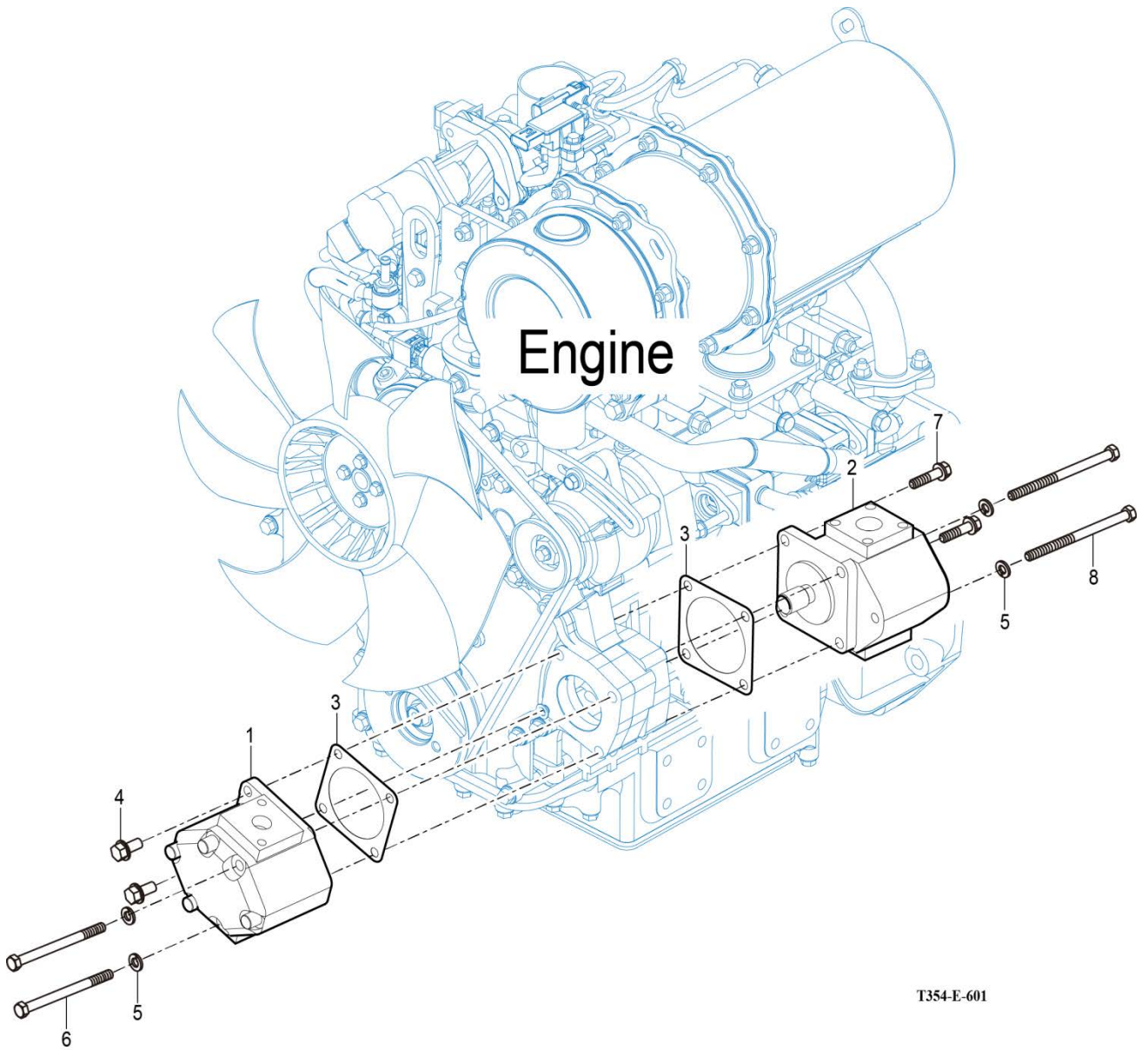
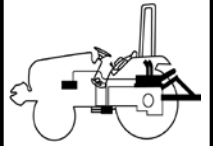
RK37H

GEAR PUMP

P1

Year

2017



T354-E-601

NOTE

FIG 602

RK37H

CYLINDER CASE

P1

Year

2017

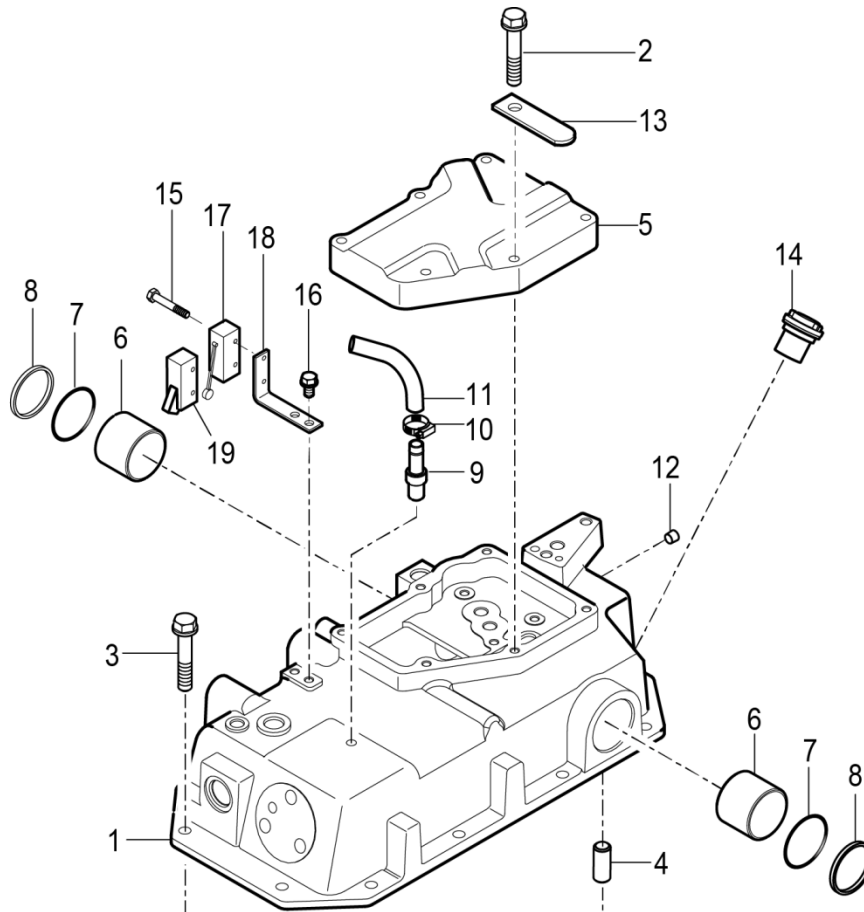
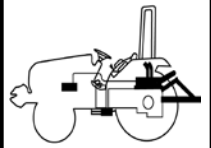
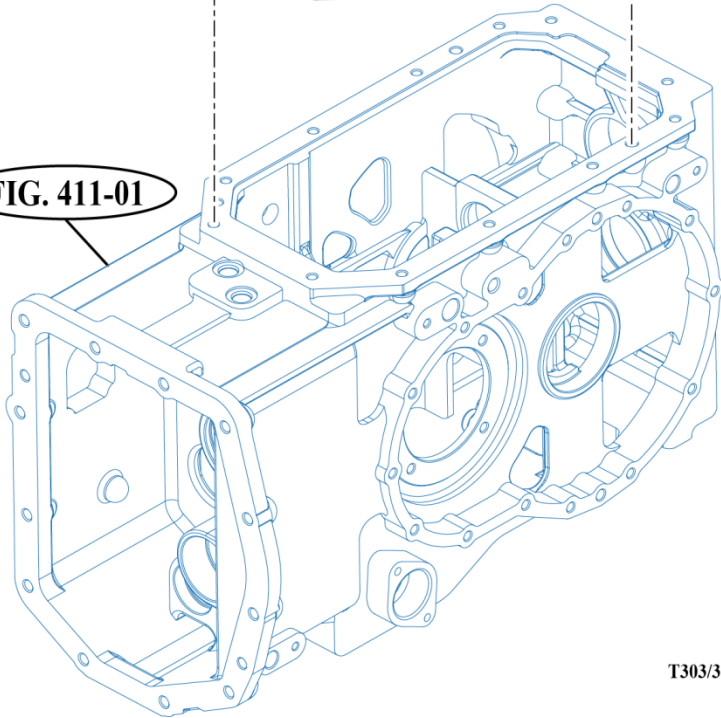


FIG. 411-01



T303/353NC-E-602

NOTE

FIG 603

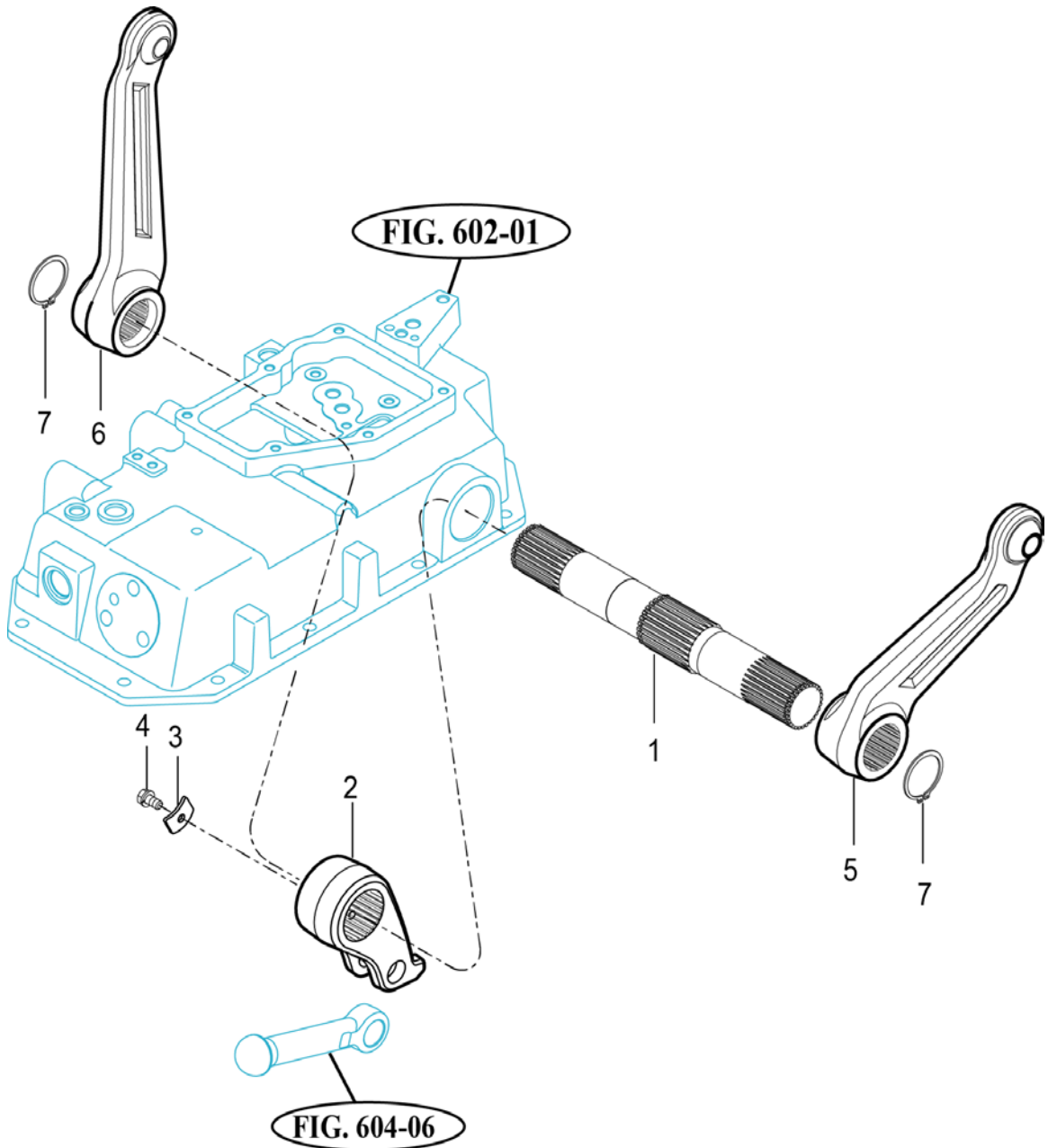
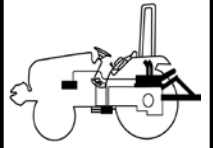
RK37H

LIFT ARM

P1

Year

2017



T303/353NC-E-603

NOTE

FIG 604

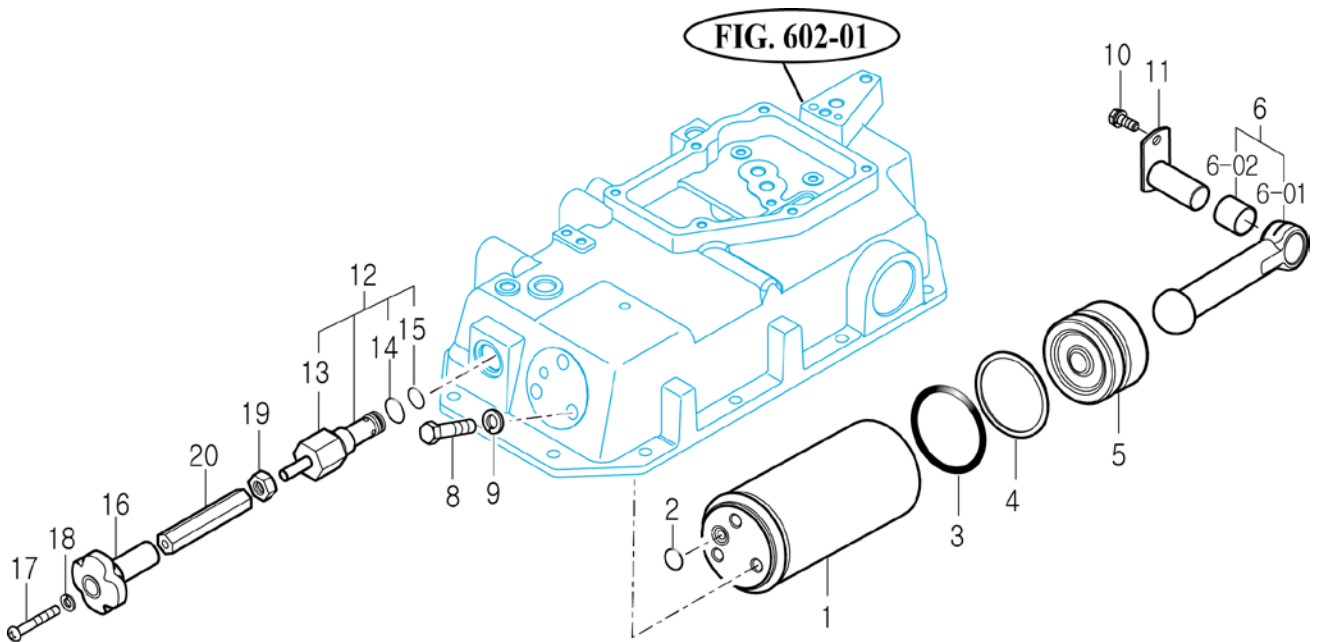
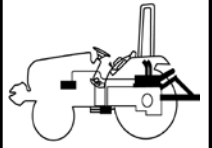
RK37H

CYLINDER

P1

Year

2017



T303/353NC-E-604

NOTE

FIG 605

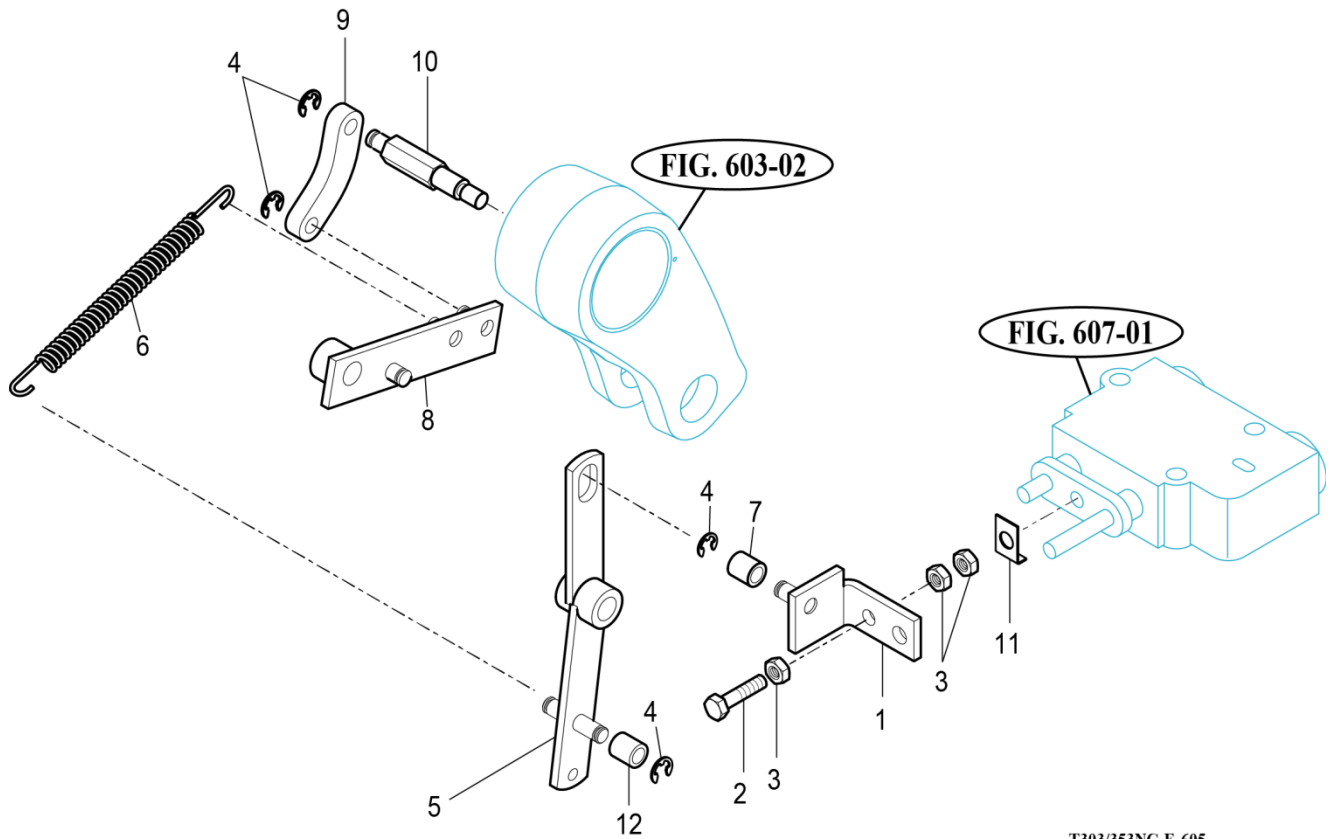
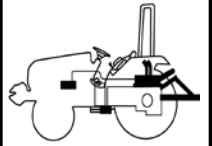
RK37H

POSITION LINK (1)

P1

Year

2017



T303/353NC-E-605

NOTE

FIG 606

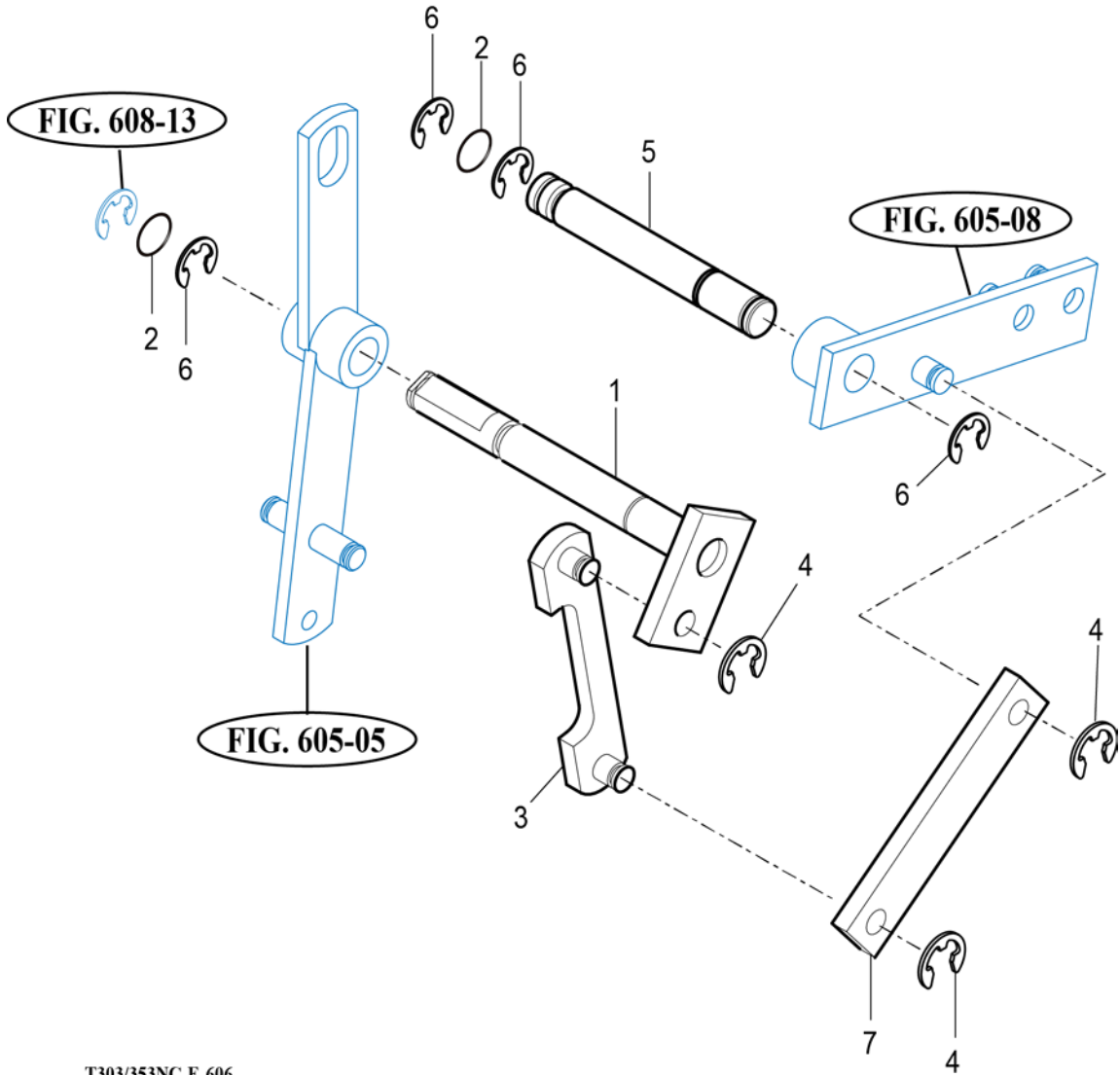
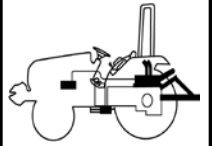
RK37H

POSITION LINK (2)

P1

Year

2017



T303/353NC-E-606

NOTE

FIG 607

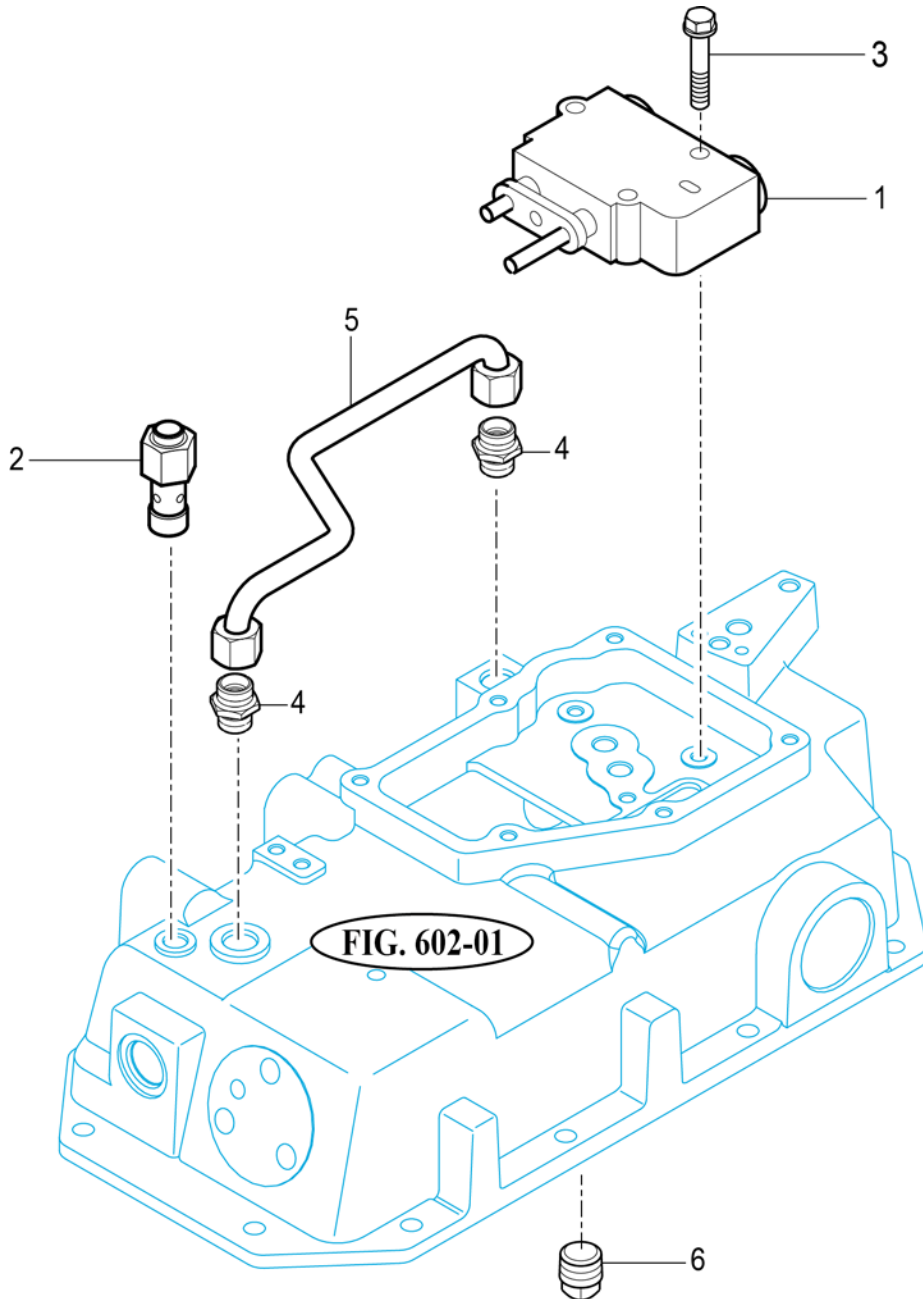
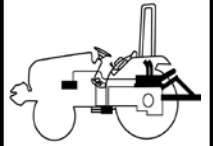
RK37H

CONTROL VALVE

P1

Year

2017



T303/353NC-E-607

NOTE

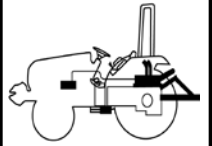
FIG 608

POSITION LEVER

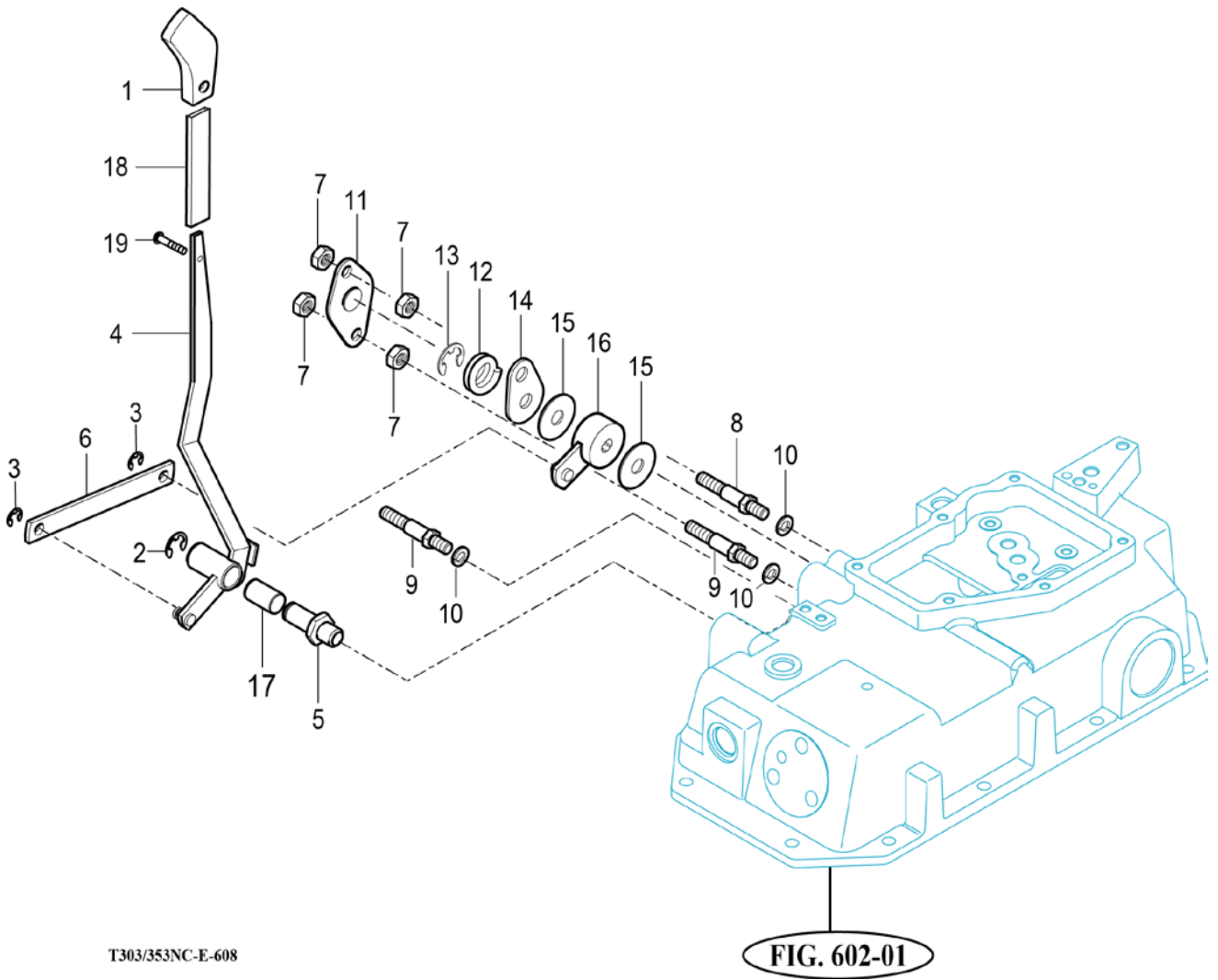
P2

Year

2017



RK37H



T303/353NC-E-608

FIG. 602-01

NOTE

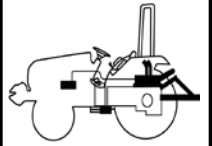
FIG 609

HYDRAULIC PIPE (1)

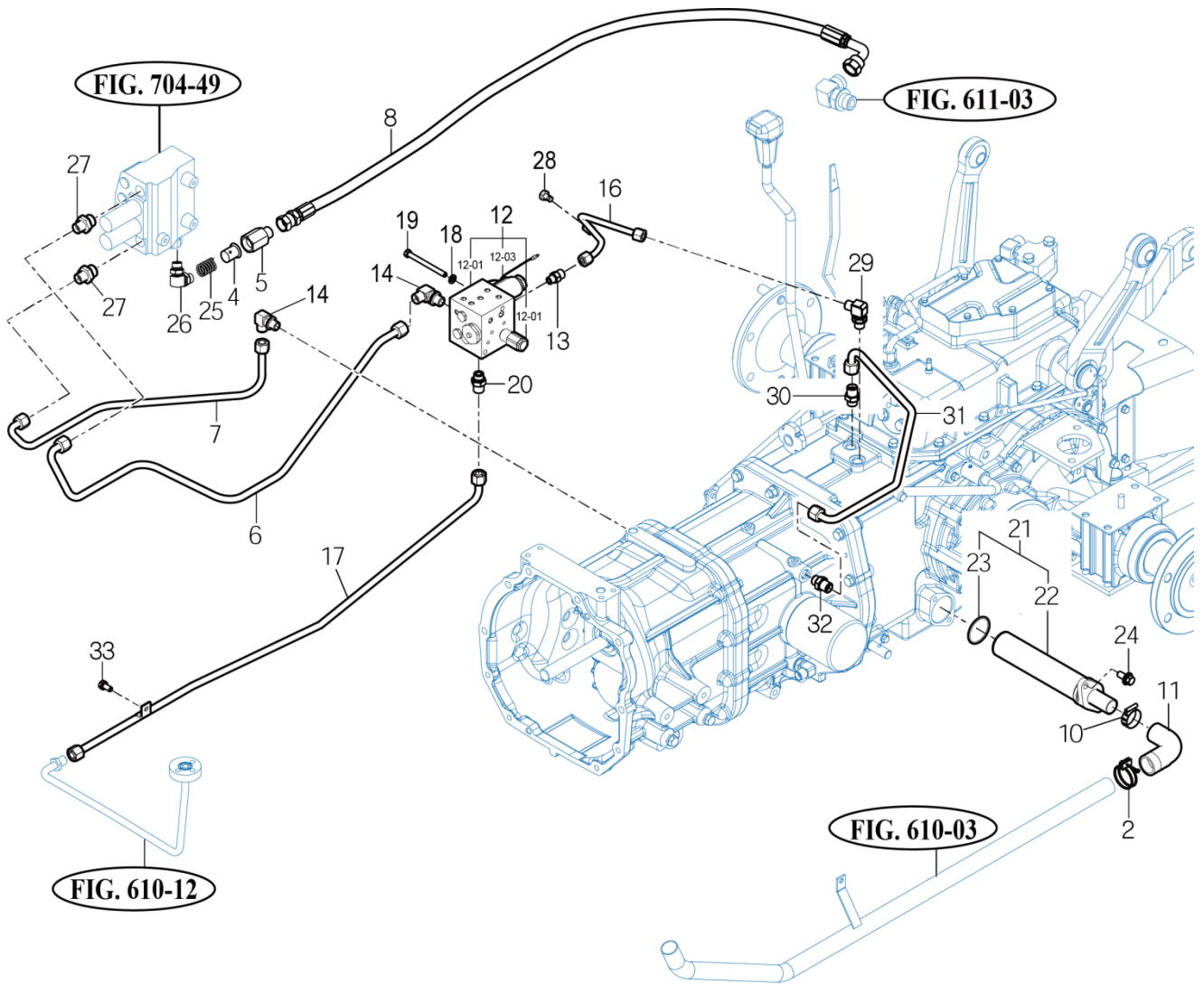
P1

Year

2017



RK37H



T384NH-E-605

NOTE

FIG 610

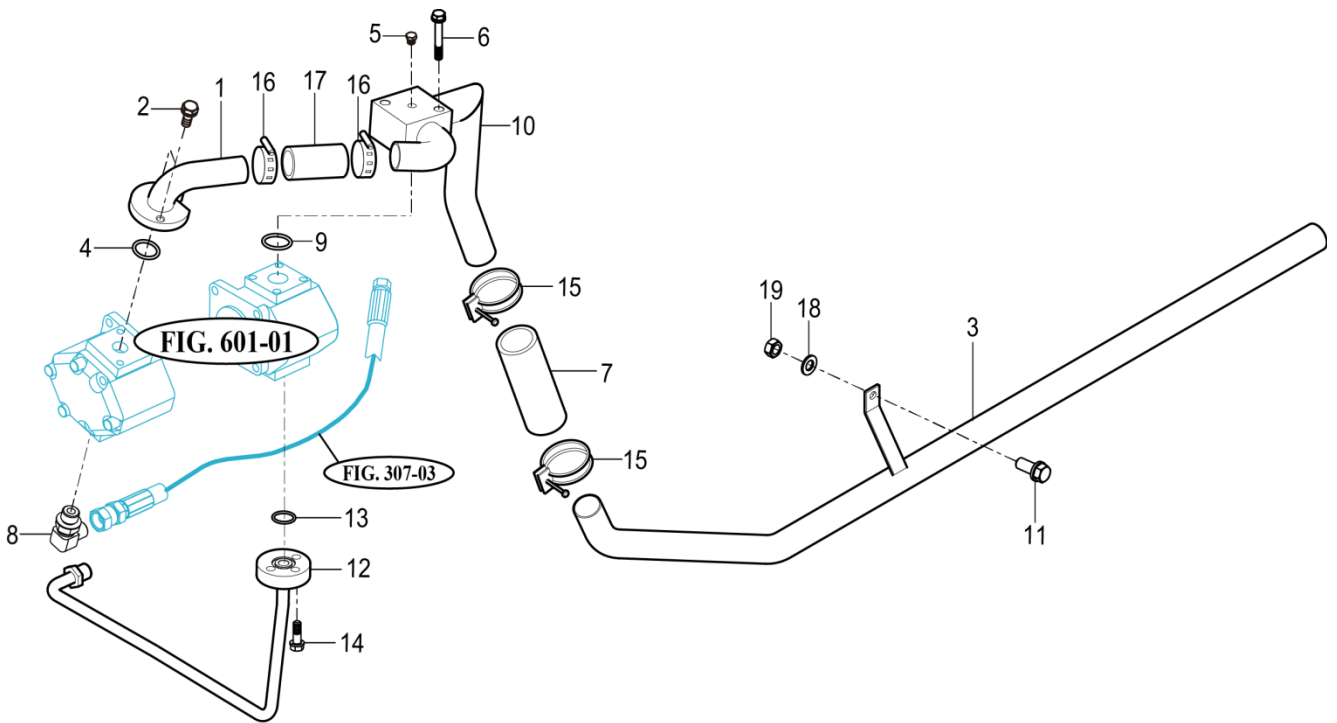
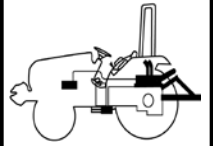
RK37H

HYDRAULIC PIPE (2)

P1

Year

2017



T394-E-606

NOTE

FIG 611

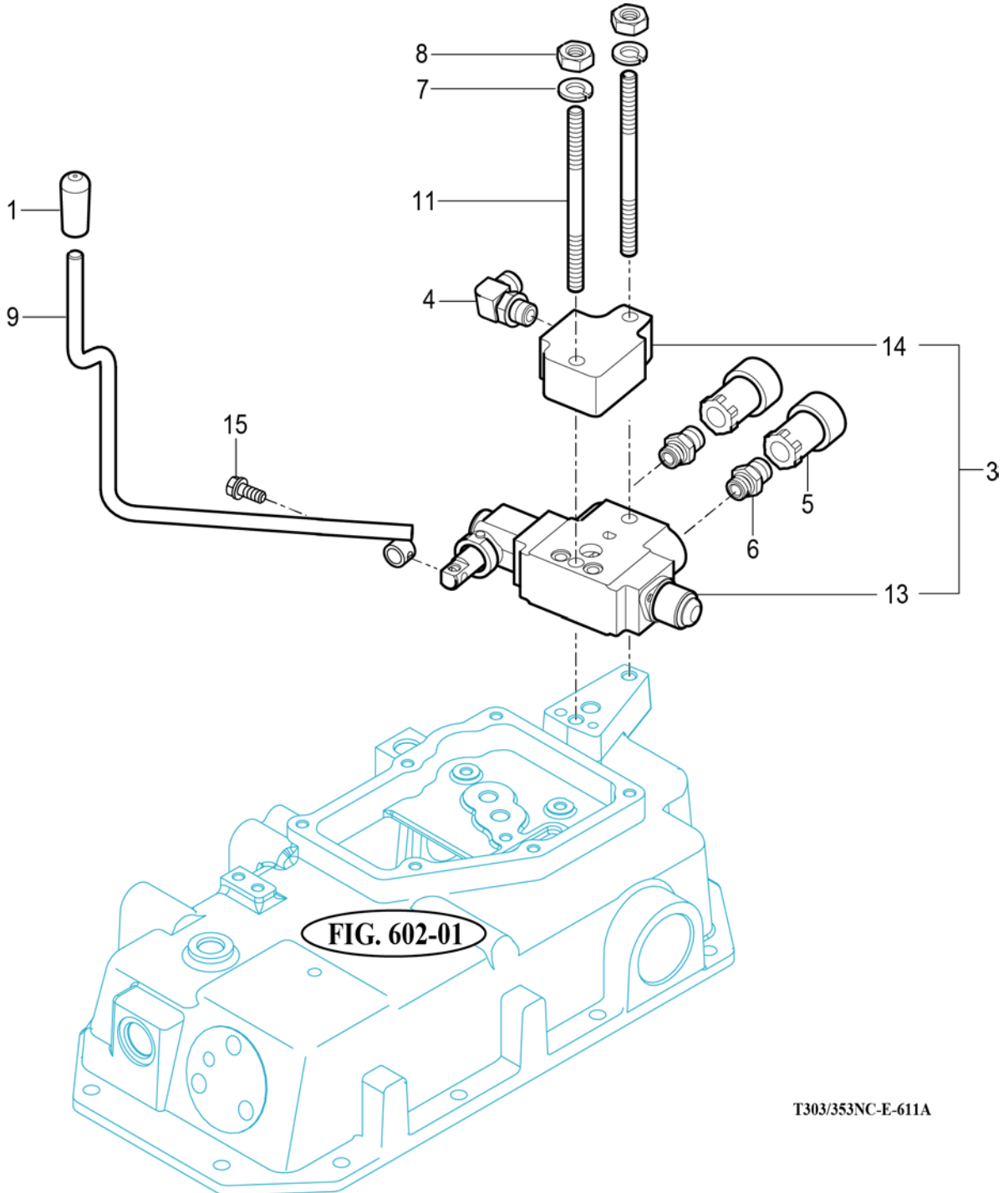
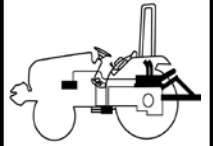
RK37H

EXTERIOR HYD. VALVE

P1

Year

2017



NOTE

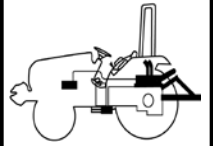
FIG 612

3-POINT LINK

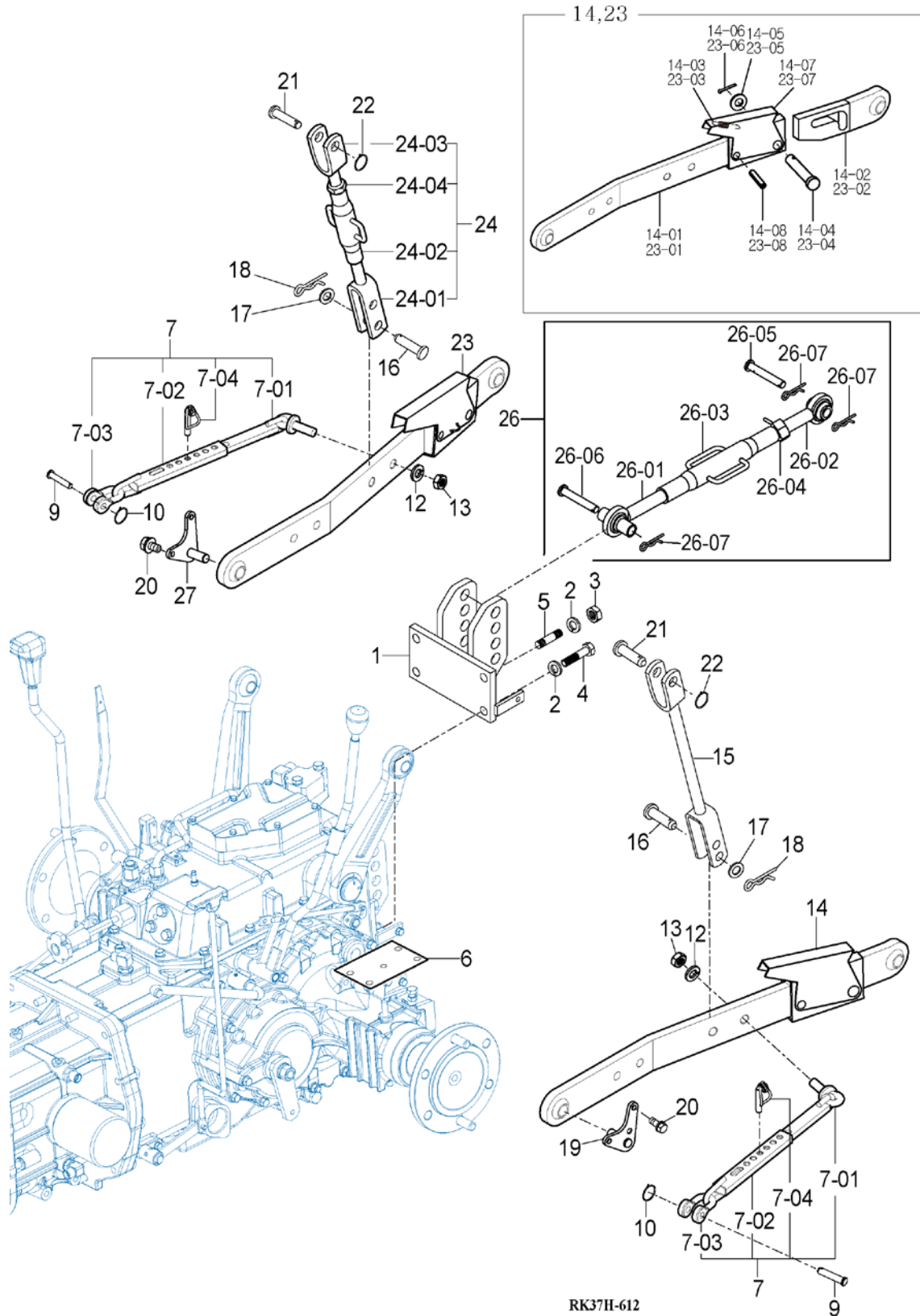
P1

Year

2017



RK37H



RK37H-612

NOTE

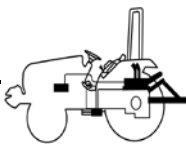
FIG 612		3-POINT LINK			P1	Year	
RK37H						2017	
KEY NO.	TYM PART NO.	DESCRIPTION	SPEC.	QTY.	REPAIR	EFFECTIVE DATE	REMARKS
612 001	16703172002GB	BRACKET COMP , TOP LINK		1			
612 002	V4011600140	WASHER , SPRING	M14	4			
612 003	V3043600140	NUT , HEX/2	M14	2			
612 004	V2014614035	BOLT , HEX/S		2			
612 005	V2514414030	BOLT , STUD/2	M14X30	2			
612 006	13017020040GB	PLATE , W/O ROPS		2			
612 007	10525142500	CHAIN ASSY , CHECK		2			
612 00701	10525142520	BAR COMP, CHECK		2			
612 00702	10525142510	SOCKET COMP , CHECK		2			
612 00703	16705142520	SHACKLE , CHECK CHAIN		2			
612 00704	17705254200	PIN	M14	2			
612 009	79636110030	PIN , 12X48		2			
612 010	16735240060	Spring		2			
612 012	V4011600160	WASHER , SPRING	M16	2			
612 013	V3013600160	NUT , HEX/2	M16	2			
612 014	10525262300GB	LINK ASSY , LH LOWER		1			
612 01401	10525262310	LINK SUB, LOWER LH/FR		1			
612 01402	10525262320	LINK SUB , LOWER LH/RR		1			
612 01403	15155262330	SPRING , EXTENSION		1			
612 01404	15155262340	PIN , 22X56		1			
612 01405	V4111600220	WASHER , PLAIN	M22	1			
612 01406	V5001940035	PIN , SPLIT	4X35	1			
612 01407	15155262350	GRIP		1			
612 01408	15155262360	PIN , SPRING		1			
612 015	10525243000GB	ROD COMP , LH LIFT		1			
612 016	15605260014	PIN , 16X51		2			
612 017	V4111600160	WASHER , PLAIN	M16	2			
612 018	V5601600160	PIN , SNAP		2			
612 019	12385142200	PIN COMP , LH		2			
612 020	V2173612030	BOLT , HEX/S	M12X30	4			
612 021	16735243500	PIN , 19X69		2			
612 022	16735240060	SPRING		2			
612 023	10525262200GB	LINK ASSY , RH LOWER		1			
612 02301	10525262210	LINK SUB, LOWER RH/FR		1			
612 02302	10525262220	LINK SUB , LOWER RH/RR		1			
612 02303	15155262330	SPRING , EXTENSION		1			
612 02304	15155262340	PIN , 22X56		1			
612 02305	V4111600220	WASHER , PLAIN	M22	1			
612 02306	V5001940035	PIN , SPLIT	4X35	1			
612 02307	15155262350	GRIP		1			
612 02308	15155262360	PIN , SPRING		1			
612 024	10525244000GB	ROD ASSY , RH LIFT		1			
612 02401	10525145200	FORK COMP , LOW		1			
612 02402	16705145100	SLIP COMP		1			
612 02403	10525145300	FORK COMP , UPR		1			
612 02404	V3023600220	NUT , HEX/3		1			
612 025	15605250030	BAND , 470		1			
612 026	16505245501GB	LINK ASSY , TOP		1			
612 02601	16505245510	LINK COMP , RH TOP LINK		1			
612 02602	16505245520	LINK COMP , LH TOP LINK		1			
612 02603	14555140251	TURNBUCKLE COMP		1			
612 02604	16505245530	NUT , HEX/3		1			
612 02605	15645220020	PIN , TOP LINK		1			
612 02606	15645220011	PIN , 19X86		1			
612 02607	14445140051	PIN , 19		3			
612 027	12385142300	PIN COMP , RH		1			
NOTE							

FIG 613

RK37H

HITCH & COVER

P1

Year

2017

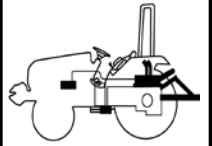
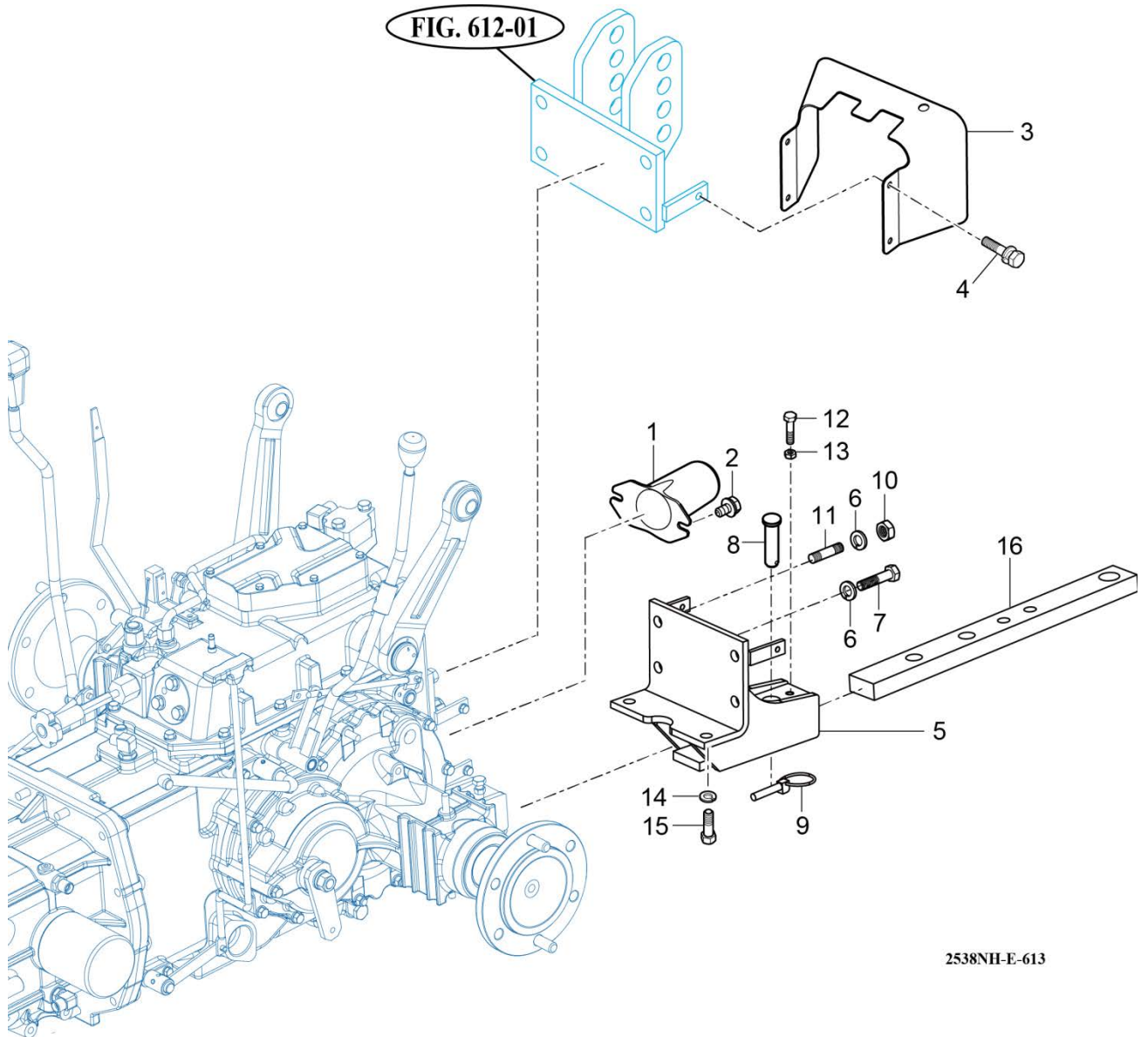


FIG. 612-01



2538NH-E-613

NOTE

FIG 701

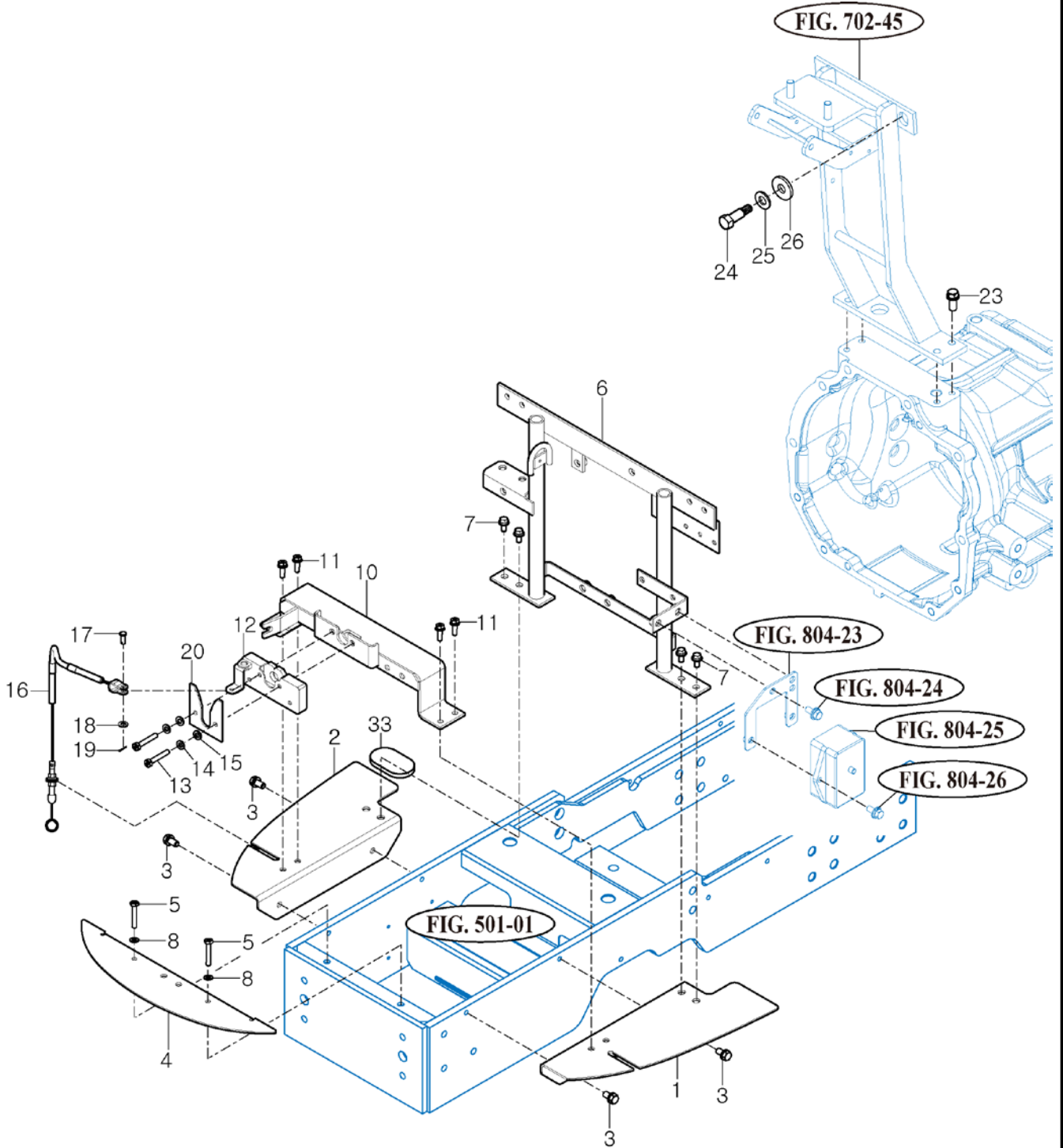
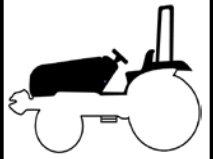
RK37H

BONNET (1)

P1

Year

2017



NOTE

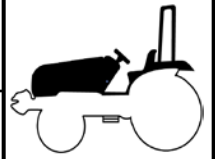
FIG 702

BONNET (2)

P1

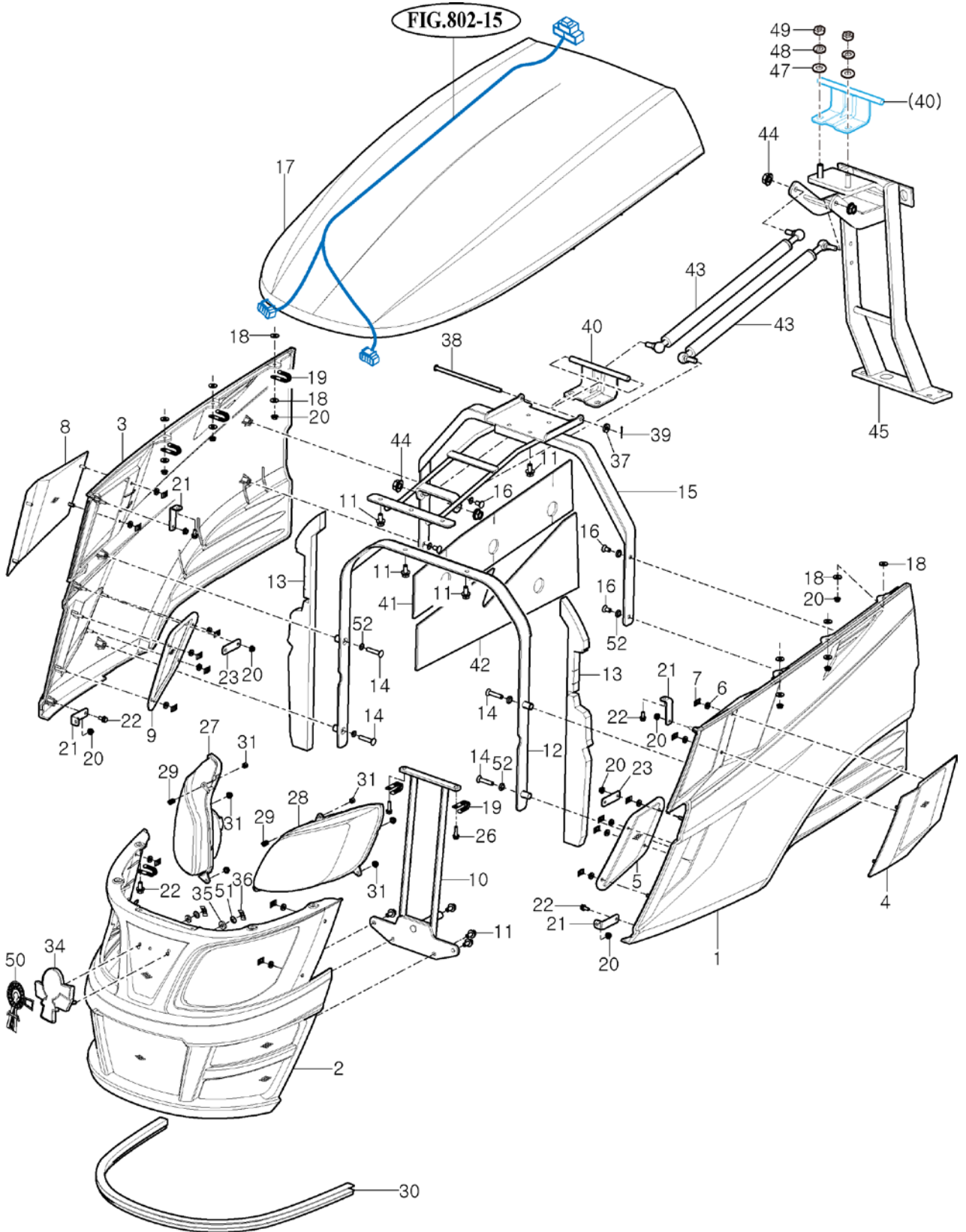
Year

2017



RK37H

FIG.802-15



NOTE

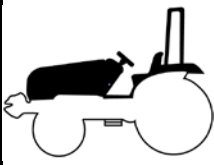
FIG 702		BONNET(2)			P1	Year	
RK37H						2017	
KEY NO.	PART NO.	DESCRIPTION	SPEC.	QTY.	REPAIR	EFFECTIVE DATE	REMARKS
702 001	17406203301KR	COVER COMP , SIDE/LH		1			
702 002	17406203200GB	GRILLE COMP		1			
702 003	17406203401KR	COVER COMP , SIDE/RH		1			
702 004	17406203500GB	NET , UPR/LH		1			
702 005	17406203600GB	NET , LOW/LH		1			
702 006	14446010150	WASHER , NET		16			
702 007	V3501600060	NUT, PUSH-ON SPRING		16			
702 008	17406203700GB	NET , UPR/RH		1			
702 009	17406203800GB	NET , LOW/RH		1			
702 010	17406202500GB	Pln COMP , HOODLOCK		1			
702 011	V2183608020	BOLT , HEX/SP		13			
702 012	17406202300GB	FRAME COMP , HOOD/FR		1			
702 013	17406202430	INSULATOR , SIDE FR		2			
702 014	V1122608040	SCREW , C/R FLAT		4			
702 015	17406202700GB	FRAME COMP , HOOD/RR		1			
702 016	V1122608016	SCREW , C/R FLAT		4			
702 017	17406203100KR	HOOD COMP		1		-2018.06.30	
702 017	17406203101KR	HOOD COMP		1		2018.07.01~	
702 018	35605033020	WASHER , WIRE WITHDRAWAL		12			
702 019	37371720090	CLAMP , W/HARNESS		6			
702 020	V3802600060	NUT , HEX FLANGE		14			
702 021	17406203010GB	PLATE , UPR/SIDE		4			
702 022	V2123606016	BOLT , HEX /SP		8			
702 023	17406203020GB	PLATE , MID/SIDE		2			
702 026	V2123606025	BOLT , HEX /SP		2			
702 027	17406525001	HEAD LAMP ASSY , RH		1			
702 028	17406524001	HEAD LAMP ASSY , LH		1			
702 029	36108010080	SPRING , ENTRANCE FOR SEED(HC0		2			
702 030	17406203900	INSULATOR , HOOD		1			
702 031	19027210060	NUT , NYLON , M6		6			
702 034	10529010110	EMBLEM , BASE/RK37		1			
702 035	14446010150	WASHER , NET(6X14X3)		2			
702 036	V3501600060	NUT, PUSH-ON SPRING		2			
702 037	V4111600080	WASHER , PLAIN		1			
702 038	13016203900	HOOD PIN		1			
702 039	V5001925020	PIN D2.5x20		1			
702 040	13016202803GB	PLATE COMP , HOOD HINGE		1		-2018.06.30	
702 040	13016202805GB	PLATE COMP , HOOD HINGE		1		2018.07.01~	
702 041	17406202420	INSULATOR , SIDE RR/LH		1			
702 042	17406202411	INSULATOR , HOOD		1			
702 043	17406202901	GAS SPRING , HOOD		2			
702 044	V3802600080	NUT , HEX FLANGE		4			
702 045	17406022100GB	FRAME COMP , HOOD		1			
702 047	V4111600100	WASHER , PLAIN		2			
702 048	V4011600100	WASHER , SPRING		2			
702 049	V3043600100	NUT , HEX/2		2			
702 050	10519010010	EMBLEM WINDMILL		1			
702 051	V4111600060	WASHER , PLAIN		2			
702 052	13836202450	TOOTHED LOCK WASHER		8		2018.12.11~	
NOTE							

FIG 704

RK37H

FENDER, REAR FRAME & MUDGUARD

P1

Year

2017

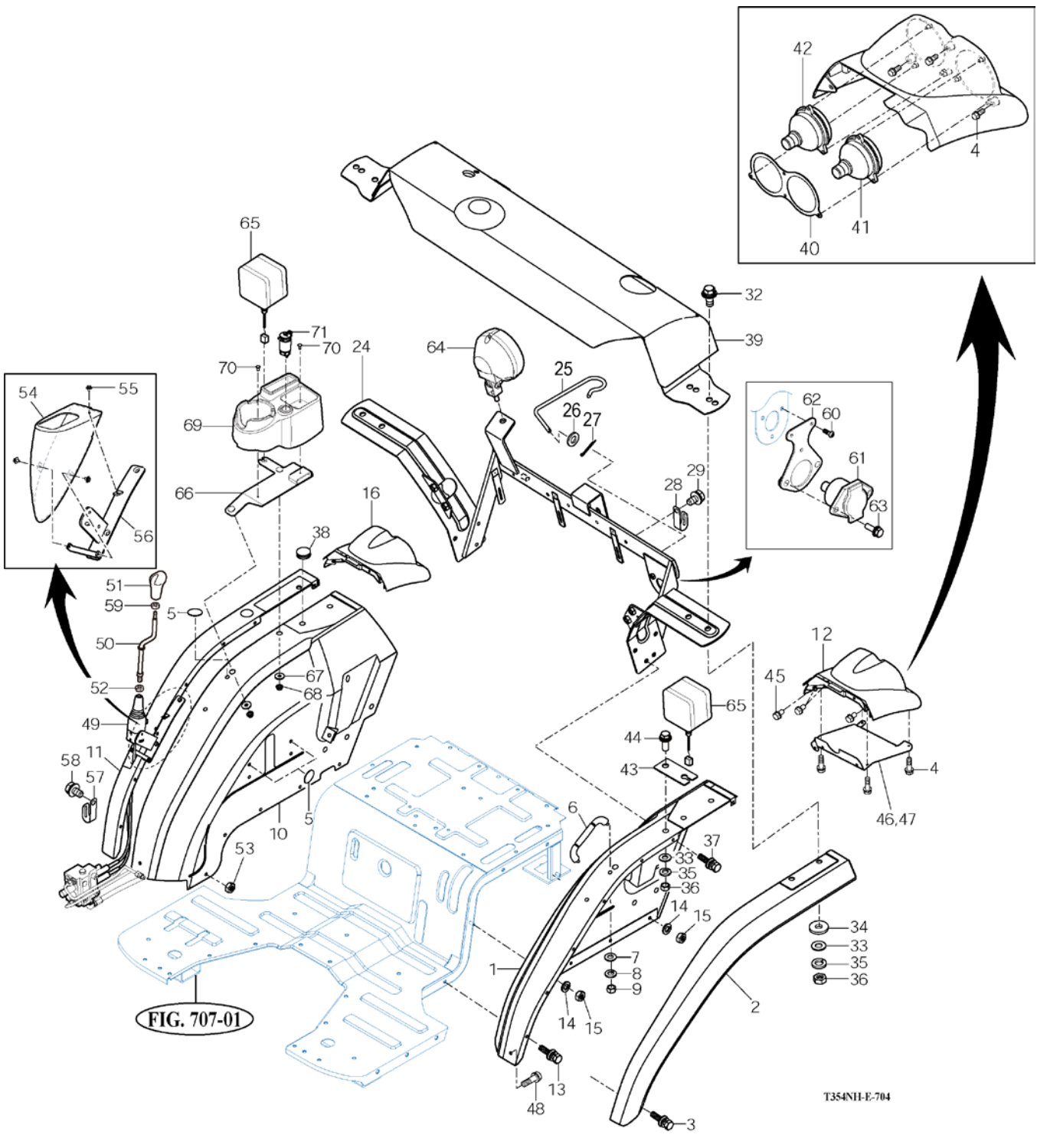
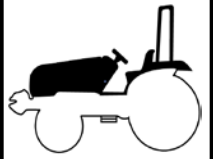


FIG. 707-01

T354NH-E-704

NOTE


FIG 704		FENDER, REAR FRAME & MUDGUARD			P1	Year	
RK37H						2017	
KEY NO.	TYM PART NO.	DESCRIPTION	SPEC.	QTY.	REPAIR	EFFECTIVE DATE	REMARKS
704 001	14726063502KR	FENDER COMP , LH		1			
704 002	12656060040KR	FENDER , LH		1			
704 003	V2193606016	BOLT , HEX/SPL	M6X16	12			
704 004	V2123606012	BOLT , HEX /SP	M6X12	14			
704 005	16606070031	CAP , 9		6			
704 006	14726071101	GRIP COMP		1			
704 007	V4111600080	WASHER , PLAIN	M8	2		~2018.02.20	
704 008	V3802600080	NUT , HEX FLANGE	M8	2		~2018.02.20	
704 007	35602010150	WASHER , BIND SHAFT		2		2018.02.21-	
704 008	V4011600080	WASHER , SPRING	M8	2		2018.02.21-	
704 009	V3042600080	NUT , HEX FLANGE	M8	2		2018.02.21-	
704 010	14726063602KR	FENDER COMP , RH		1			
704 011	10526060020KR	FENDER , RH MUD GUIDE		1			
704 012	13016060020	COVER ,LH RR LAMP		1			
704 013	V2183608020	BOLT , HEX/SP	M8X20	8			
704 014	V4011600080	WASHER , SPRING	M8	4			
704 015	V3042600080	NUT , HEX/2	M8	4			
704 016	13016060030	COVER , RH RR LAMP		1			
704 024	14977035400KR	FRAME COMP , RR FUEL TANK		1			
704 025	14885251100	HOOK , TOPLINK		1			
704 026	V4111600060	WASHER , PLAIN	M6	1			
704 027	V5001920015	PIN , SPLIT	2X15	1			
704 028	14256210040	CLAMP , HARNESS		1	C		
704 029	V2123606012	BOLT , HEX /SP	M6X12	1			
704 032	V2013612040	BOLT , HEX/SP	M12X40	4			
704 033	V4111600120	WASHER , PLAIN	M12	5			
704 034	36217020030	WASHER , PULLEY		4			
704 035	V4011600120	WASHER , SPRING	M12	5			
704 036	V3043600120	NUT , HEX/2	M12	5			
704 037	V2183608020	BOLT , HEX/SP	M8X20	4			
704 038	14326510210	CAP , RUBBER 20		2			
704 039	14777036302KR	COVER COMP , TANK		1			
704 040	13016061300	FIX PLATE , RR LAMP		1			
704 041	14527023300	LAMP, DRIECTION		1			
704 042	17687023401	LAMP ASSY . STOP		1			
704 043	13016640010GB	PLATE , LAMP		2		~2017.08.31	
704 043	13016640010GB	PLATE , LAMP		1		2017.09.01-	
704 044	V2173612030	BOLT , HEX/S	M12X30	2		~2017.08.31	
704 044	V2173612030	BOLT , HEX/S	M12X30	1		2017.09.01-	
704 045	V2193606020	BOLT , HEX/SPL		2			
704 046	13016062000GB	PLATE COMP , LH RR LAMPCOVER		1			
704 047	13016063000GB	PLATE COMP , RH RR LAMPCOVER		1			
704 048	V2183608035	BOLT , HEX/SP	M8X35	2			
704 049	13015504005	JOYSTICK ASSY		1			
704 050	12396013900GB	LEVER COMP . JOYSTICK		1			
704 051	19027750021	GRIP COMP , JOYSTICK		1			
704 052	V3302600140	NUT , HEX FINE/1	M14	1			
704 053	V3042600080	NUT , HEX/2	M8	1			
704 054	13015300010	COVER , JOYSTICK		1			
704 055	V2193606016	BOLT , HEX/SPL	M6X16	3			
704 056	13015302200KR	BRACKET COMP , JOYSTICK		1			

FIG 704

RK37H

FENDER, REAR FRAME & MUDGUARD

P2

Year

2017

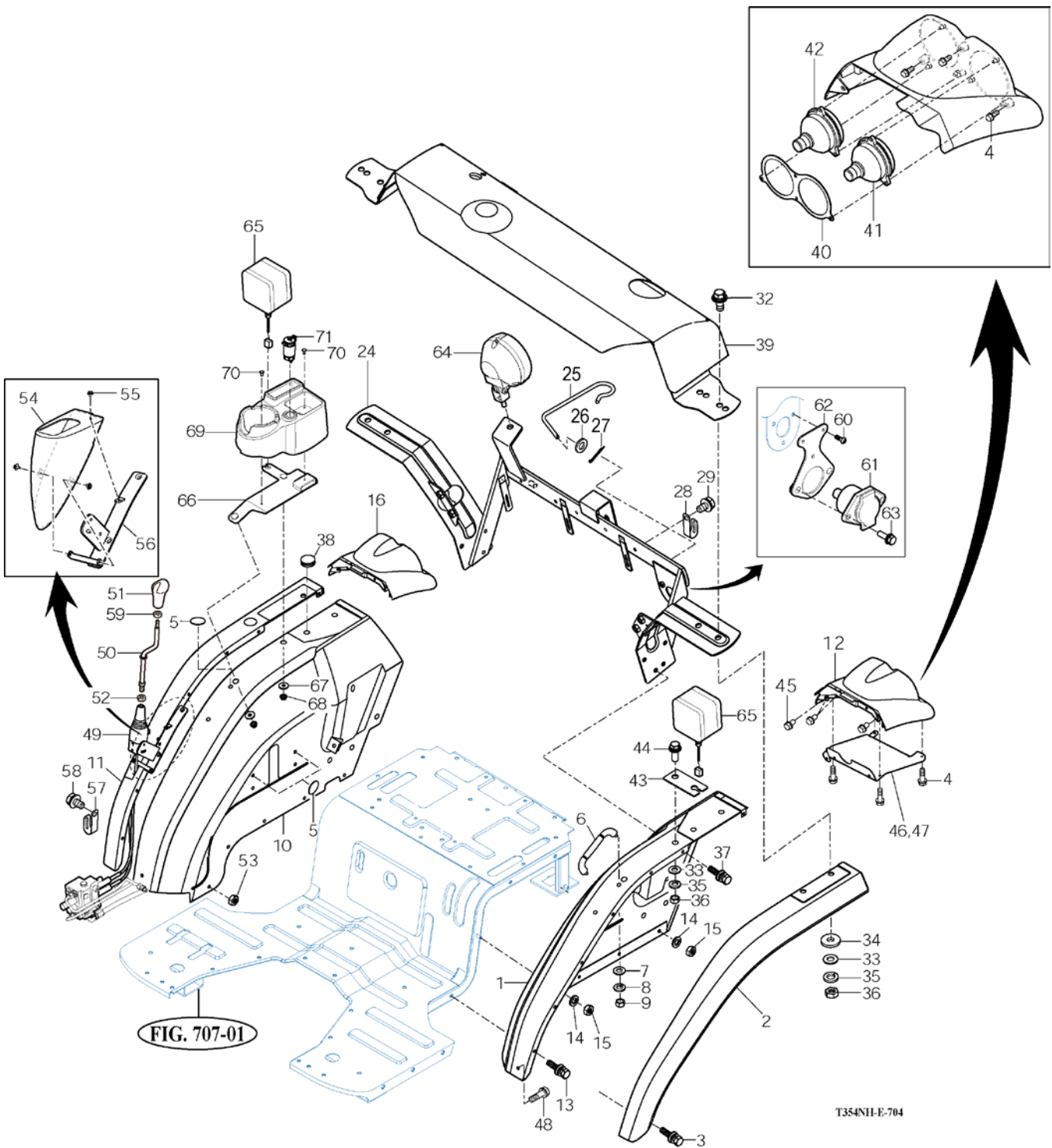
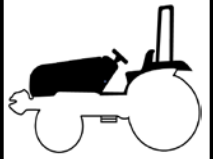


FIG. 707-01

T354NH-E-704

NOTE

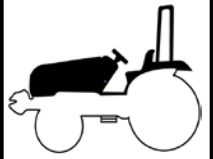
FIG 705

ROPS

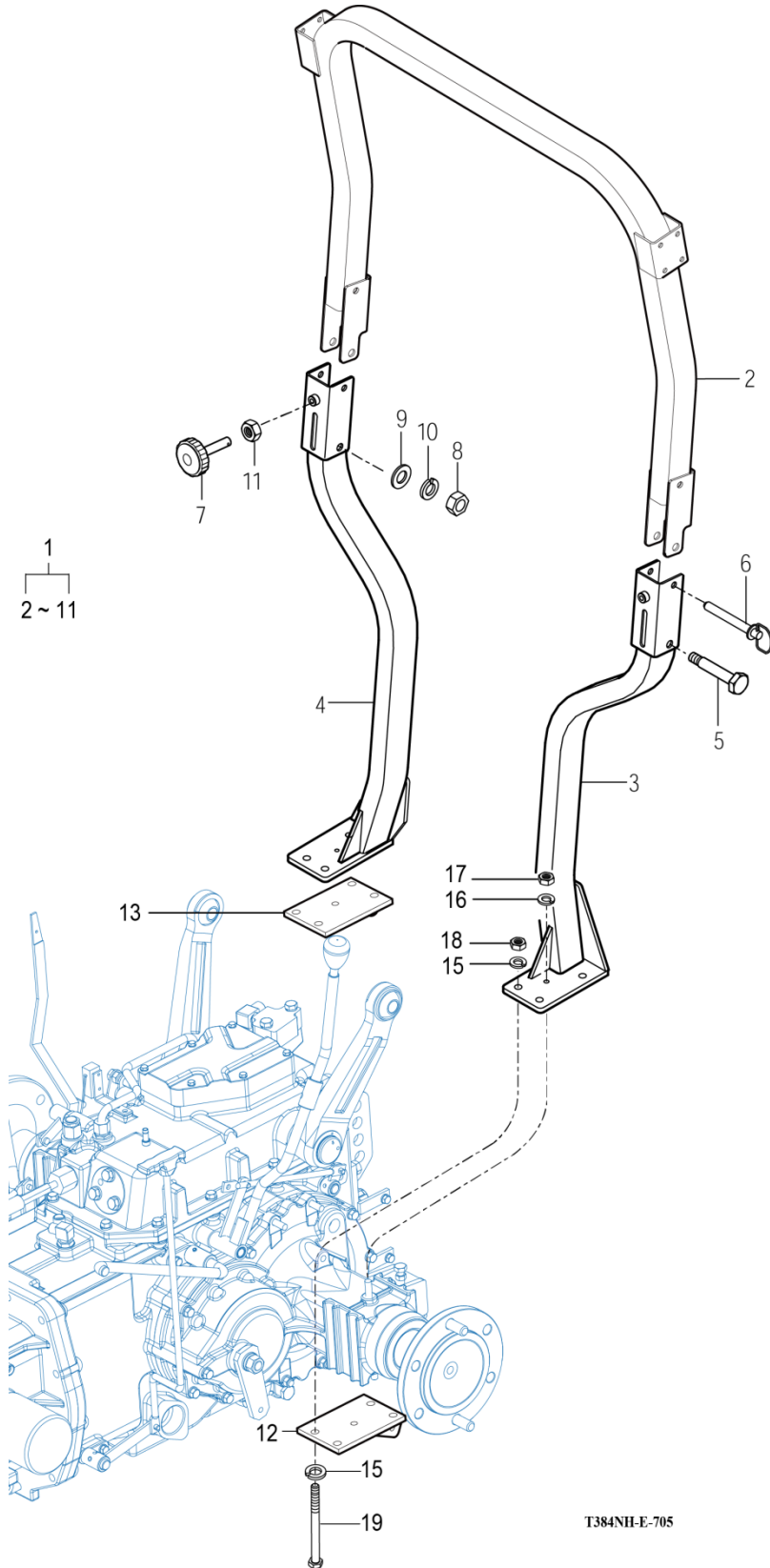
P1

Year

2017



RK37H



T384NH-E-705

NOTE

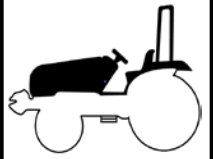
FIG 706

DASHBOARD

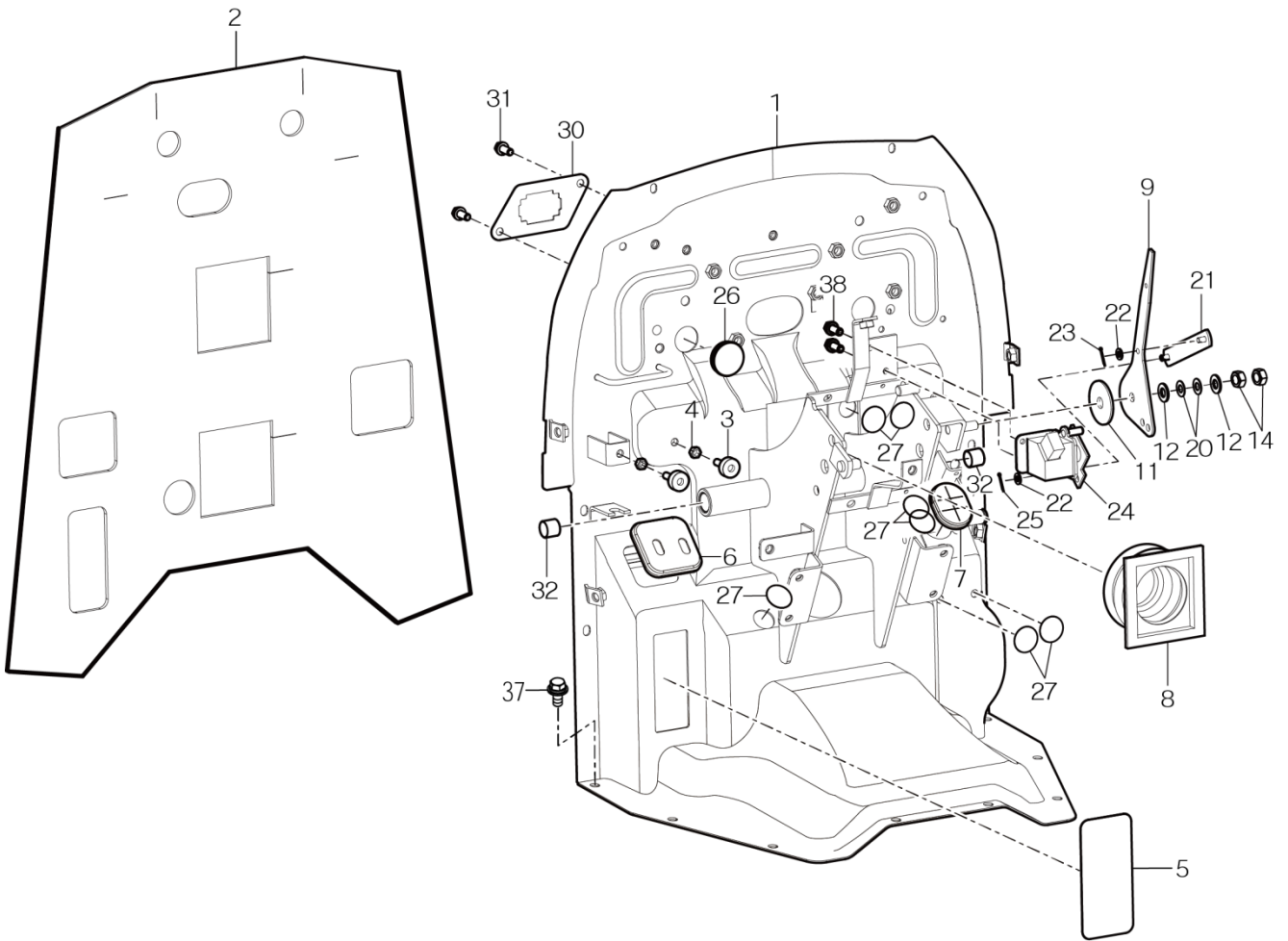
P1

Year

2017



RK37H



T384NH-E-706

NOTE

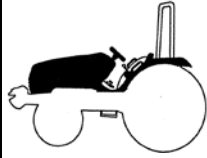
FIG 706 RK37H		DASHBOARD			P1	Year		
						2017		
KEY NO.	TYM PART NO.	DESCRIPTION	SPEC.	QTY.	REPAIR	EFFECTIVE DATE	REMARKS	
706 001	12356302001GB	PANEL COMP, DASH		1		-2016.04.30		
706 001	12356302002GB	PANEL COMP, DASH		1		2016.05.01~		
706 002	14726300022	INSULATOR, DASHBOARD		1				
706 003	14216020051	RUBBER, CUSHION B		3				
706 004	V3043600080	NUT, HEX/2	M8	2				
706 005	12386400011	LABEL, SEAL CLUTCH		1				
706 006	16996300200	INSULATOR		1		-2018.05.22		
706 006	15606300205	INSULATOR		1		2018.05.23~		
706 007	16996300210	INSULATOR		1				
706 008	16756300010	BOOT, STEERING HOSE		1				
706 009	15536300040	PLATE, THROTTLE		1				
706 011	14141170050	LINING, 13X50X3		1				
706 012	V4111600100	WASHER, PLAIN	M10	2				
706 014	V3342600100	NUT, HEX FINE/2	M10	2				
706 020	14527060010	WASHER, JERBSI SPRING/10 EA		2				
706 021	12356303300	LINK COMP, THROTTLE		1		-2016.04.30		
706 021	12356303301	LINK COMP, THROTTLE		1		2016.05.01~		
706 022	V4011600060	WASHER, PLAIN		2				
706 023	V5001920015	PIN, SPLIT		2		-2016.04.30		
706 023	V5001920015	PIN, SPLIT		1		2016.05.01~		
706 024	129938-77800	ACCEL SENSOR ASSY		1				
706 025	V5601600006	PIN, SNAP		1		2016.05.01~		
706 026	16606510210	CAP, RUBBER 30		1				
706 027	12389010070	LABEL, SEAL D30		7				
706 030	14946300031	PLATE, CONNECTOR		1				
706 031	V2173608020	BOLT, HEX/S	M8X20	2				
706 032	35017030080	BUSH, DU20X23X20		2				
706 037	V2183608020	BOLT, HEX/SP	M8X20	8				
706 038	V2123606016	BOLT, HEX/SP	M6X16	2				
NOTE								

FIG 707

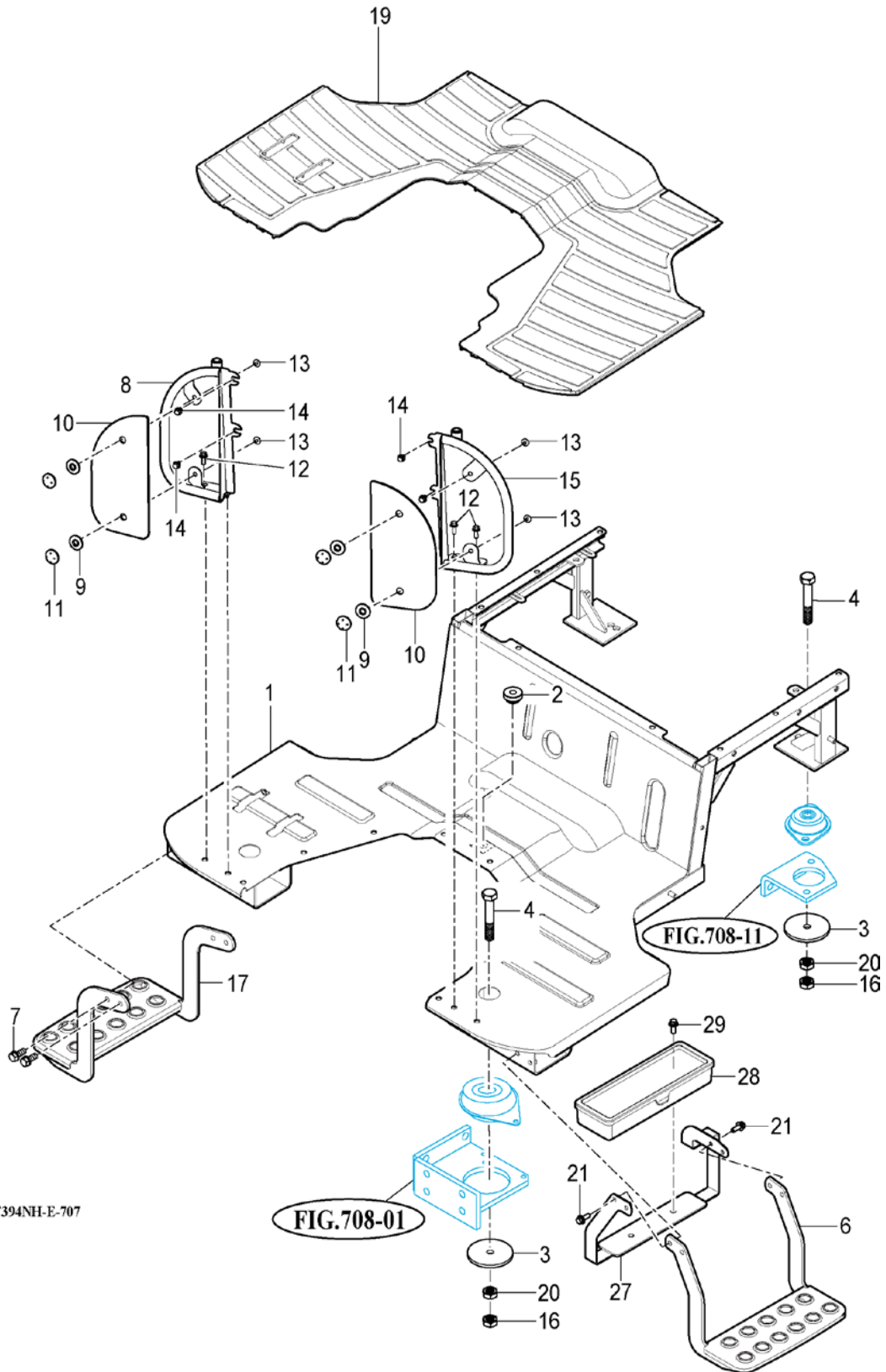
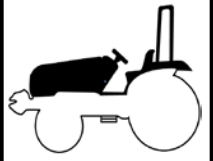
RK37H

FLOOR

P1

Year

2017



T394NH-E-707

NOTE

FIG 708

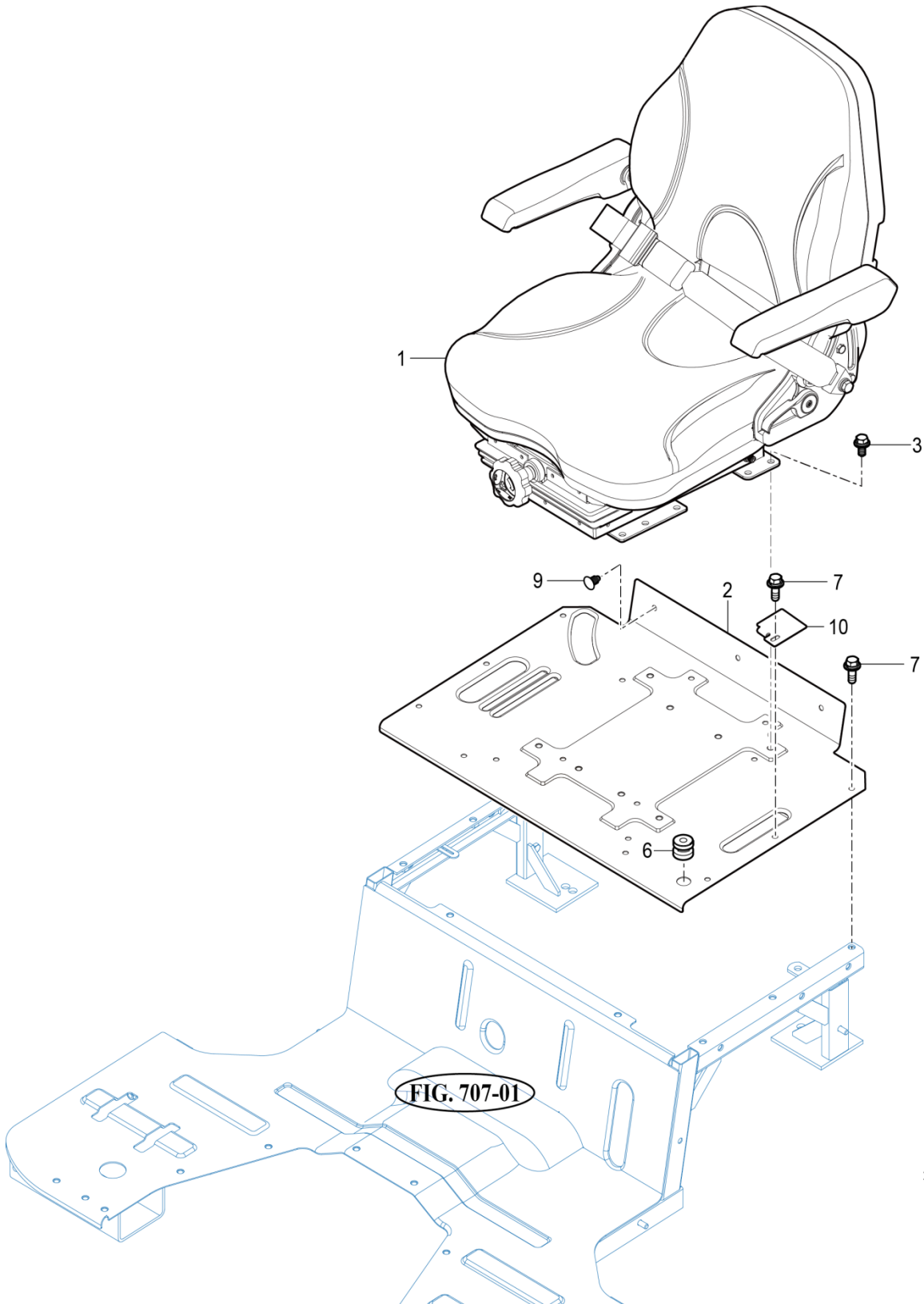
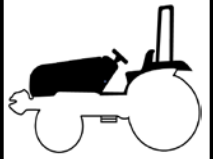
RK37H

SEAT

P1

Year

2017



2538-E-708

NOTE

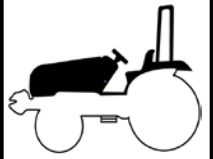
FIG 709

FLOOR MOUNTING

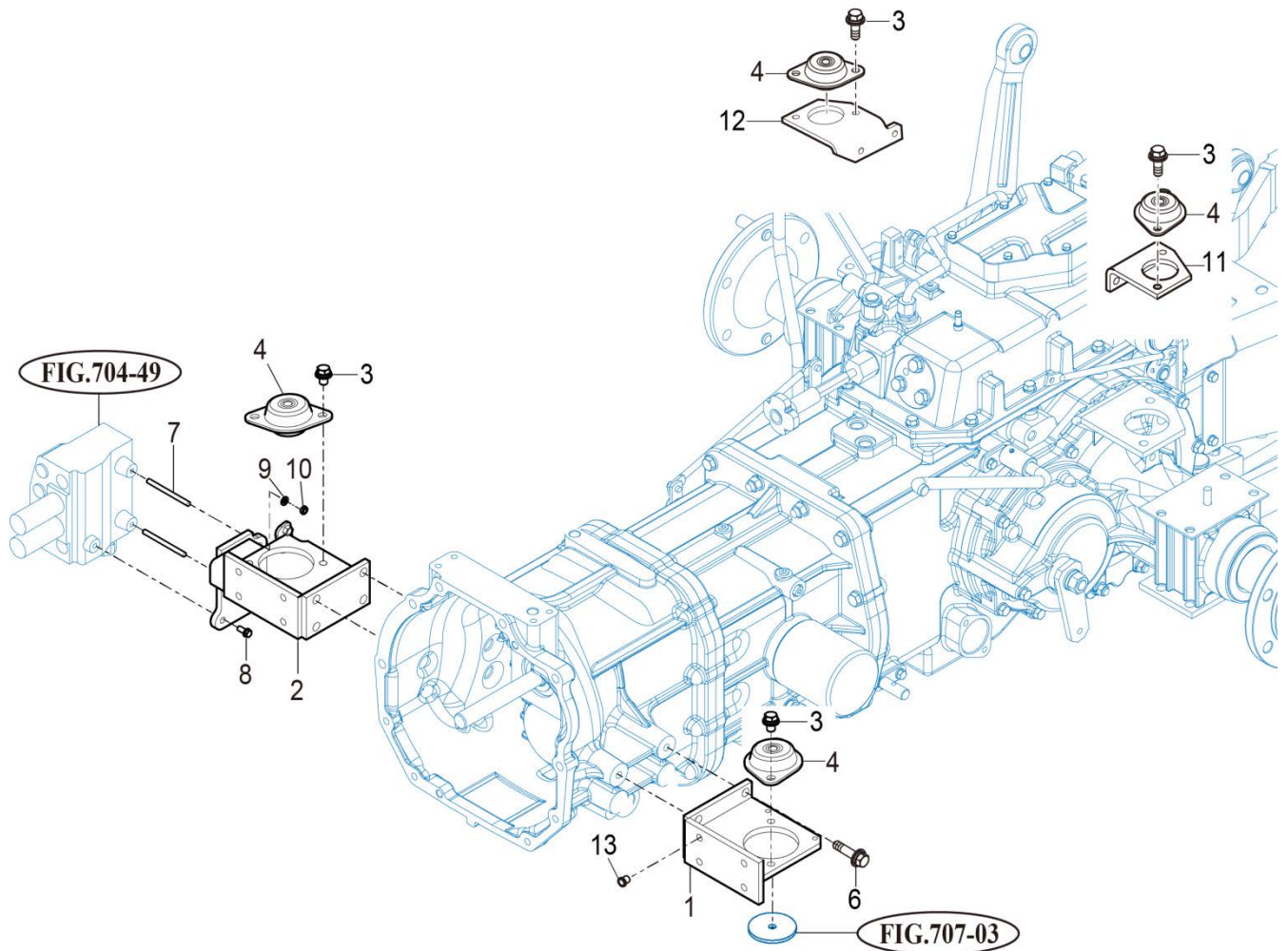
P1

Year

2017



RK37H



NOTE

FIG 801

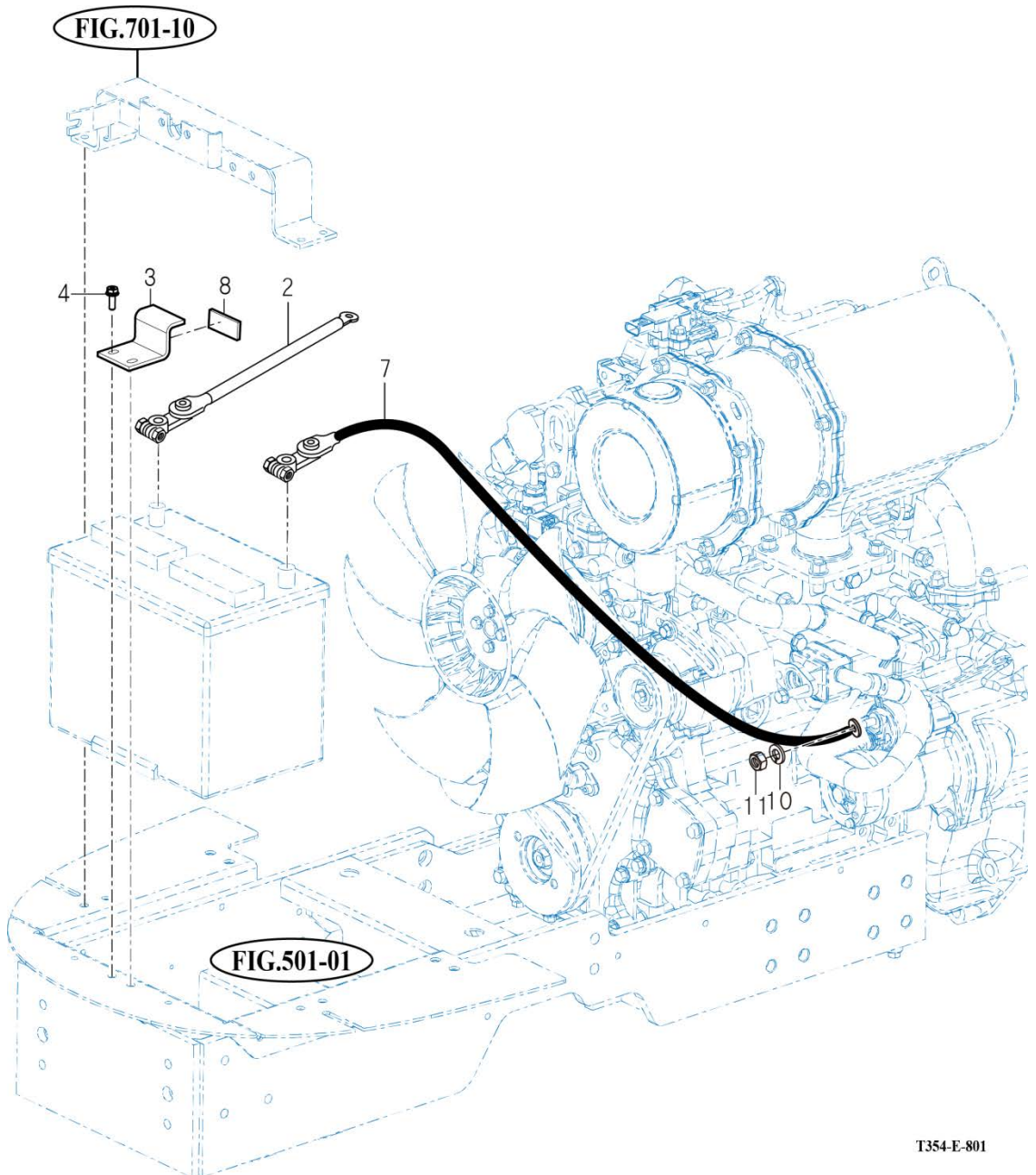
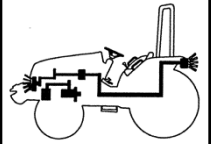
RK37H

BATTERY & MOUNTING

P1

Year

2017



T354-E-801

NOTE

FIG 802

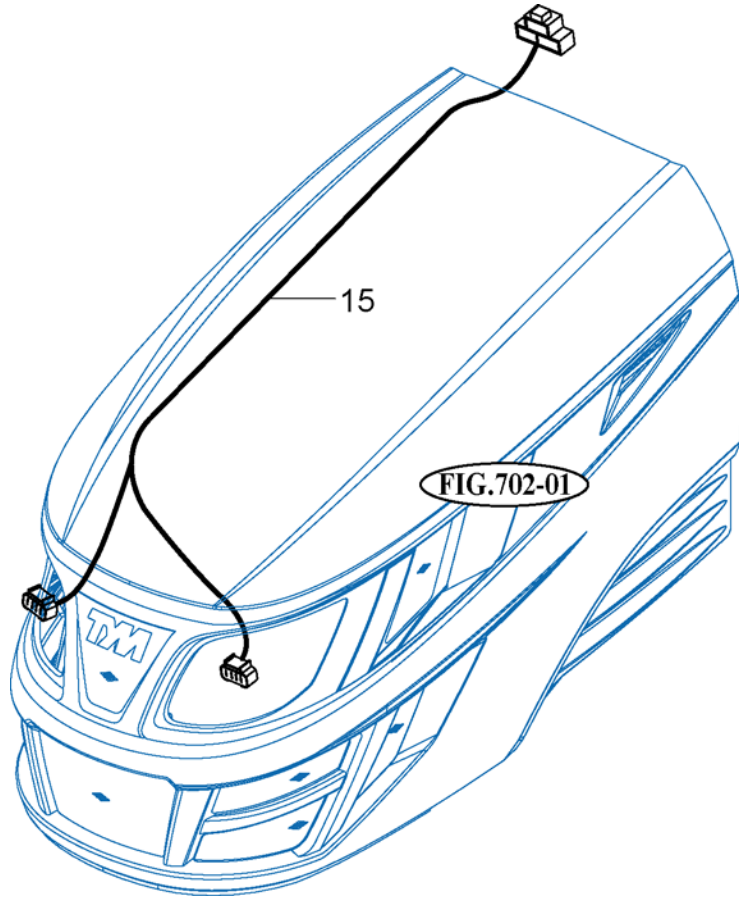
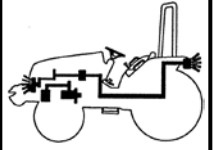
RK37H

LIGHTS

P1

Year

2017



NOTE

FIG 803

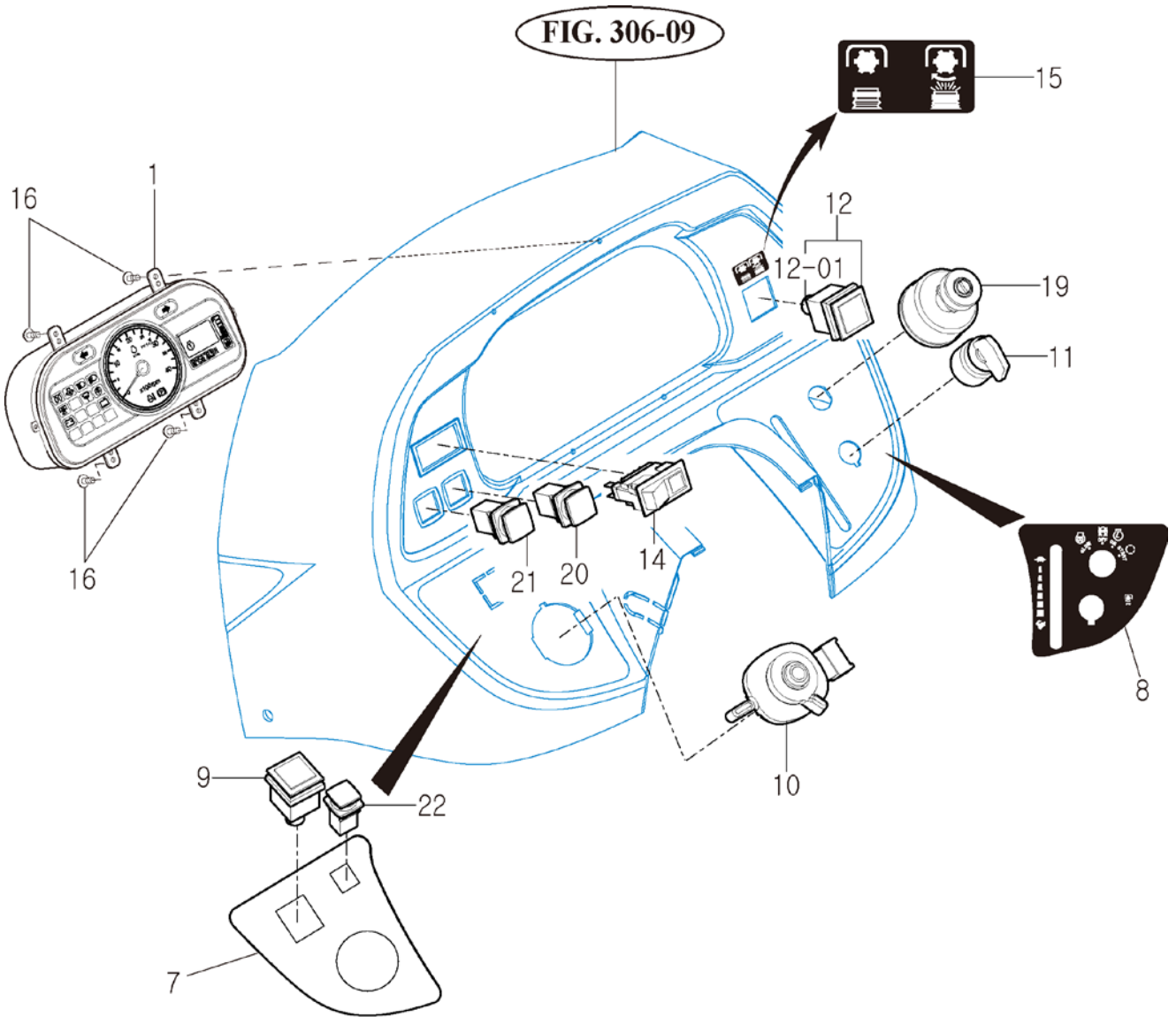
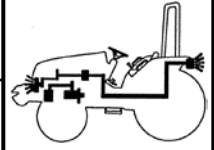
RK37H

INSTRUMENT PANEL

P1

Year

2017



T354-E-803

NOTE

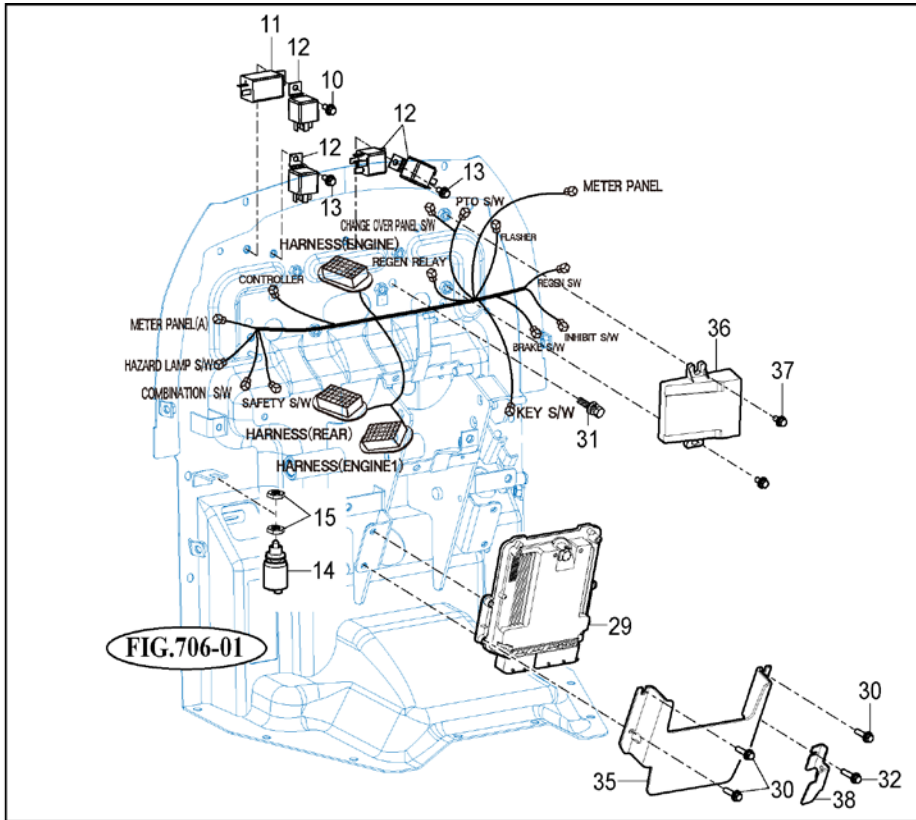
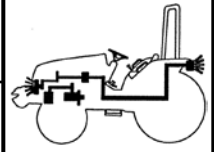


FIG.706-01

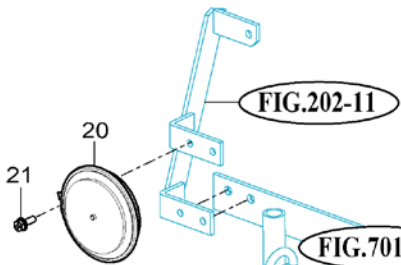


FIG.202-11

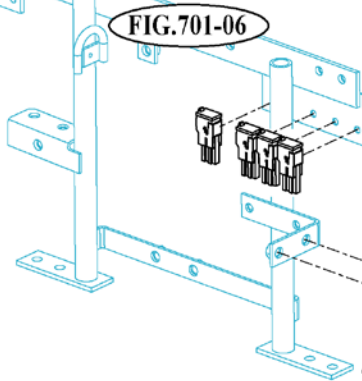


FIG.701-06

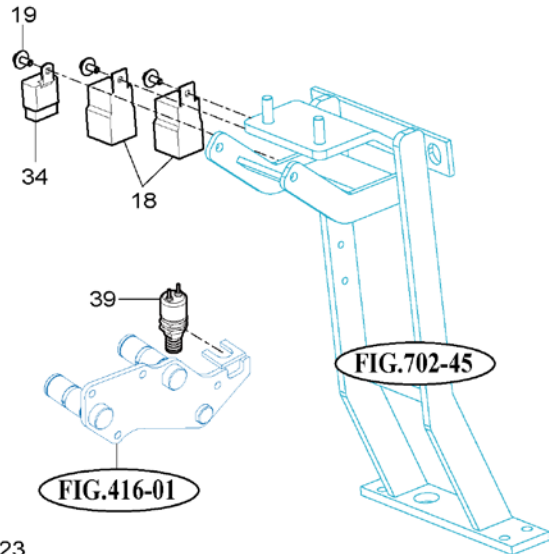
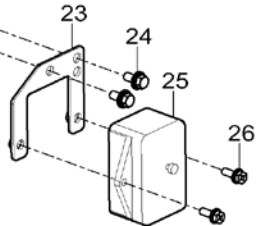
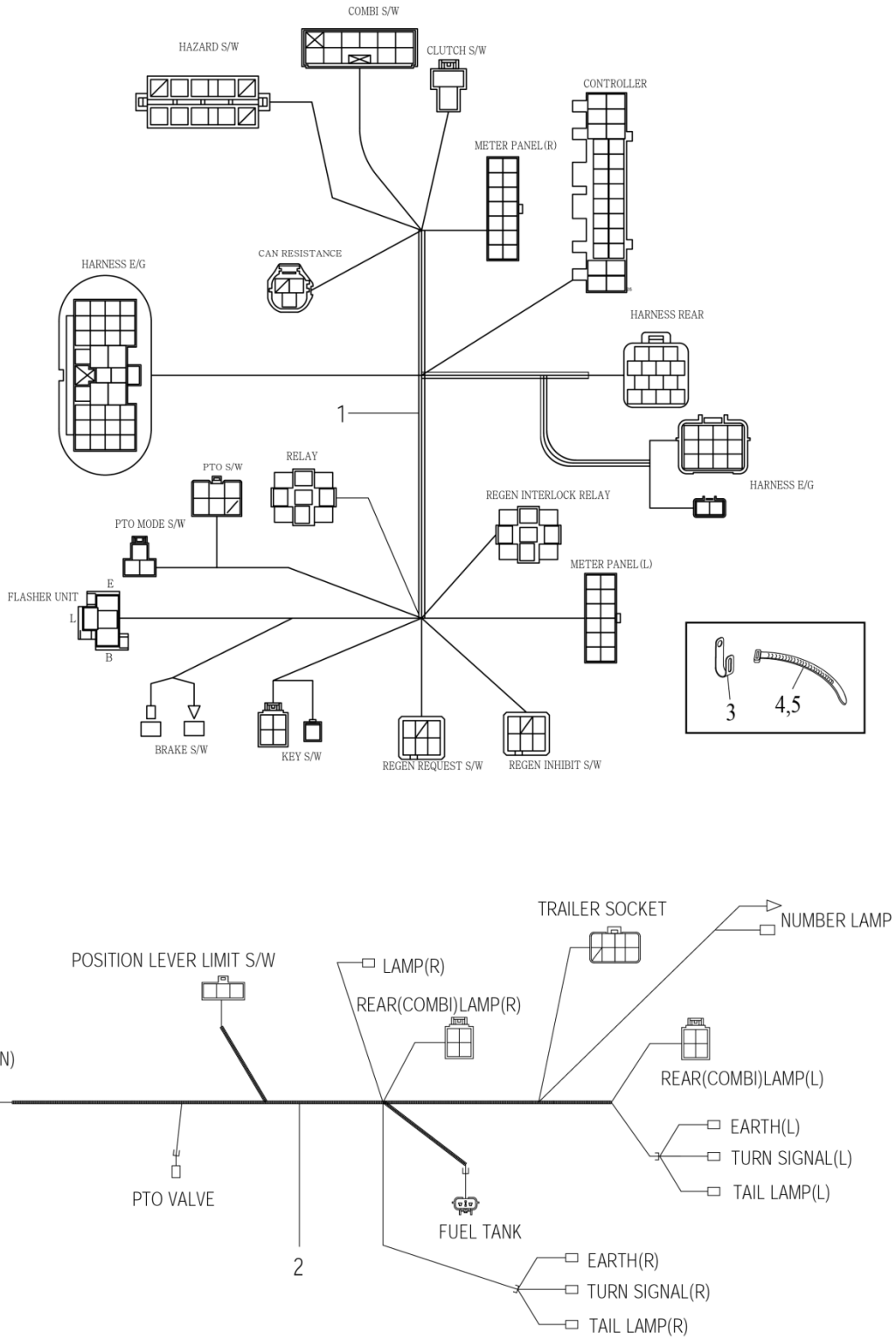
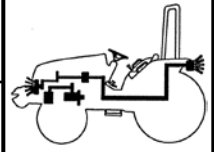


FIG.702-45

FIG.416-01



T354-E-804



T354NC-E-805

FIG 806

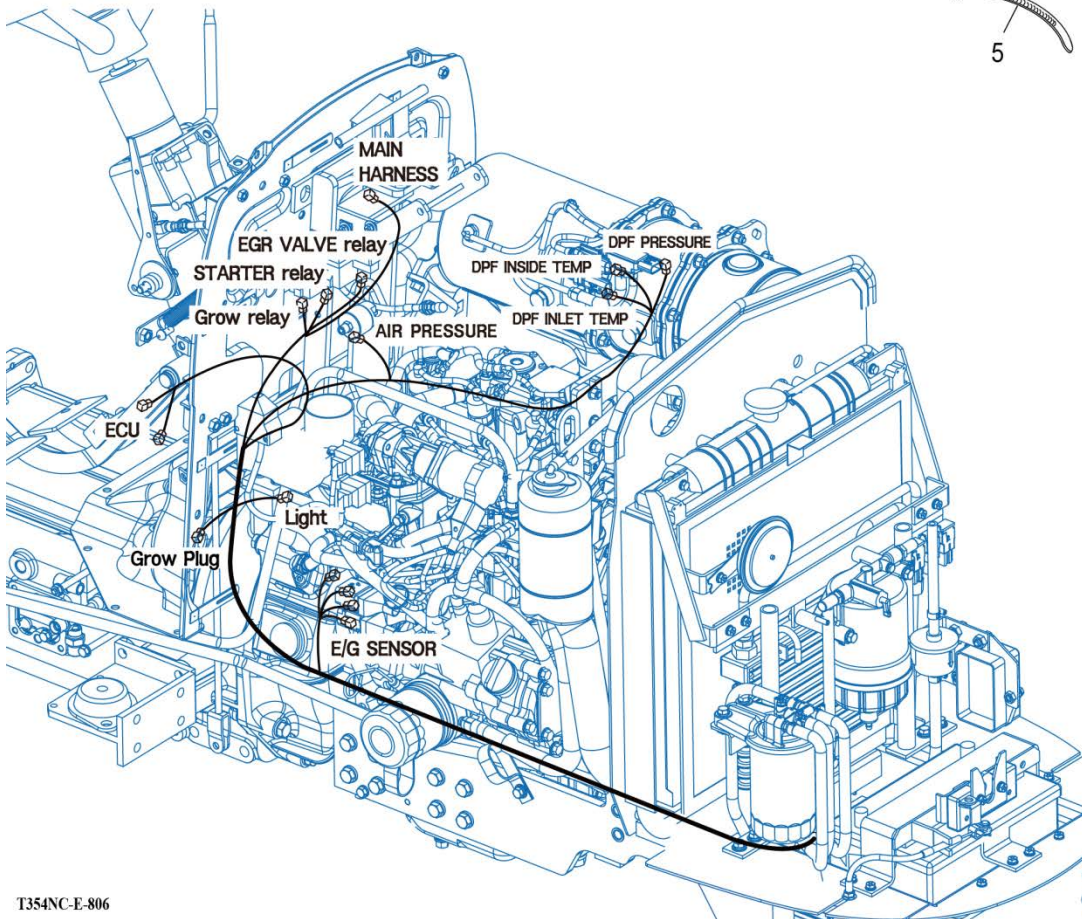
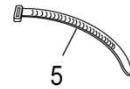
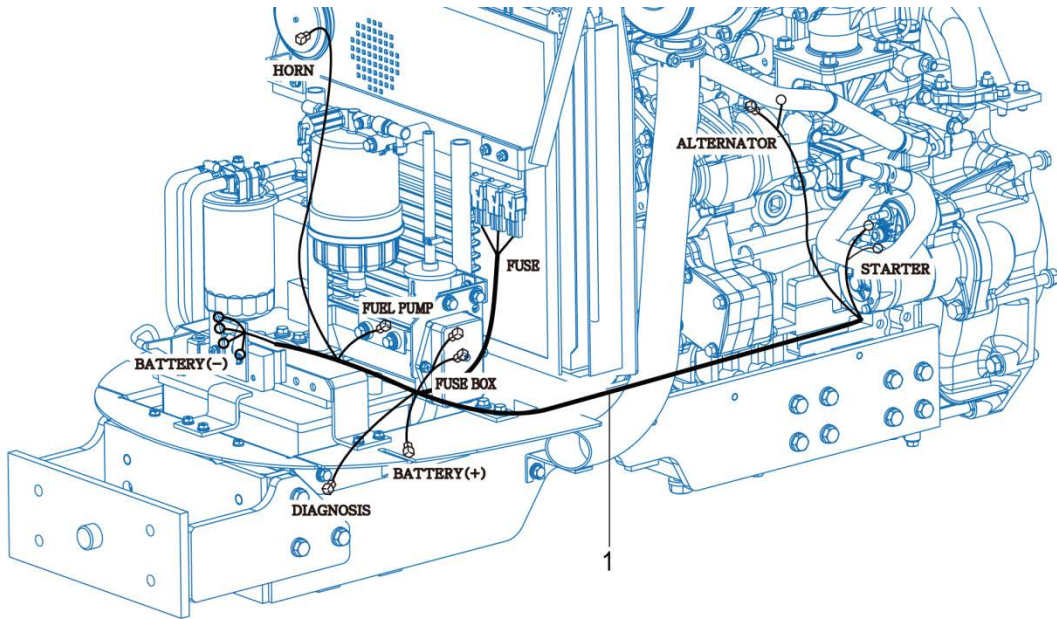
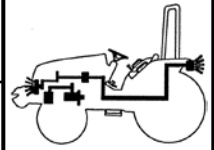
RK37H

HARNESS (2)

P1

Year

2017



T354NC-E-806

NOTE

FIG 901

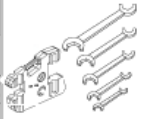
RK37H

TOOL & ACCESSORY

P1

Year

2017



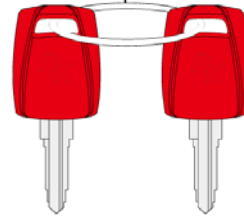
14



15



17



RK34-E-902

NOTE

FIG 902

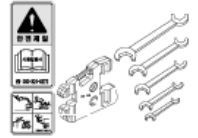
RK37H

LABEL

P2

Year

2017



WARNING

Death or injury may result if this tractor over turns with the ROPS in the folded down position. Operate this tractor with the ROPS folded down only when necessary. Do not wear seat belt if operated with ROPS folded down.

1200-904-902.0

35

DANGER

This Tractor may tip over unexpectedly and quicker than an operator is able to jump free

1. Never operate a tractor without a proper Roll over Protection Structure.(ROPS)
2. Always wear your seat belt when operating this tractor equipped with roll over protection.
3. Never pull from above or from the rear axle.
4. Do not operate the tractor on steep slopes or near drop offs
5. Avoid sharp high speed turns

Serious injury or death may result from tractor upsets.

1200-904-901.0

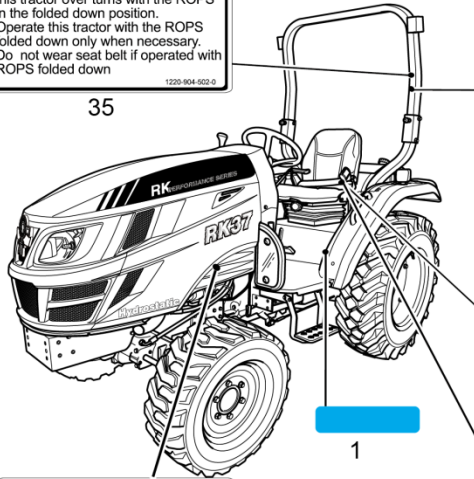
36

WARNING

- Start engine only from operators seat. if safety start switch is by passed engine can start with transmission in gear.
- Do not connect or short across terminal on starter solenoid.
- Attach booster cables as shown on battery decal and operators manual.

Starting in gear causing runaway can result in serious injury.

48



WARNING

Do not use the sub shift lever at "H" position when driving backward.

1200-910-001.0

11



18



45

CAUTION

Do not touch while the system is hot. It cause serious burns

1200-910-024.0

11

DANGER

Do not ride except operator.

1200-910-016.0

13

WARNING

Work in ventilated Area.

1200-910-003.0

12

Rural King

MODEL _____

TYPE _____

ENGINE _____

SERIAL NO. _____

MANUFACTURER: TONG YANG MOOLSAN CO.,LTD

THIS PRODUCT IS MADE IN KOREA

41



42

ROTARY 47



43

PTO (MID,REAR) LEVER

To prevent transmission damage, the PTO switch must be OFF before PTO lever is engaged.

50

OFF REAR PTO ON 49

Hydrostatic 44

RK37 29

WARNING

Always fasten Your seat belt.

1200-910-019.0

15

WARNING

Never use the diff- lock/ at high speed or on/ ne road as this ca/ use rollover a/ d injury.

1200-910-008.0

19

WARNING

Do not remove radiator cap while engine is hot. Hot steam will injure you.

1200-910-015.0

8

WARNING

LOCK ← UNLOCK

LOCK BUTTEN

Push the butten to lock position with joystick lever is neutral whenever the implement is not operation.

1709-910-009.0

37

WARNING

Stay clear of raised Boom and bucket.

38

DANGER

Start only from seat in park or neutral

Starting in gear kills.

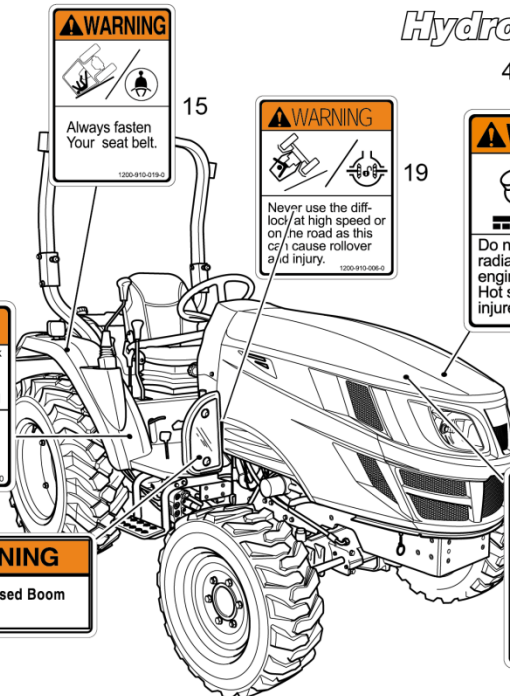
46

CAUTION

Keep hands and clothing away from rotating fan and belts to prevent serious injury.

1200-910-012.0

7



NOTE

FIG 902

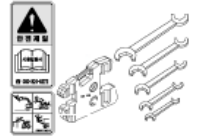
RK37H

LABEL

P2

Year

2017



54



9



16



14



4



26



40



52



10



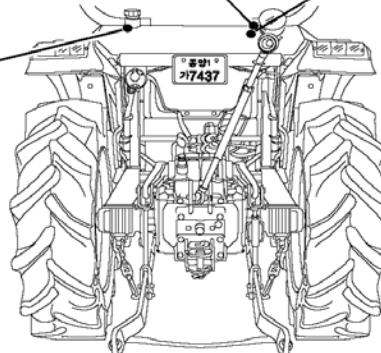
20

This ROPS frame was tested in accordance with OECD Standard (Code 7) for use on Rural King tractor models RK37 with a reference mass of 1490KG. Manufactured by TYM KOREA

53



17



39

NOTE

FIG 903

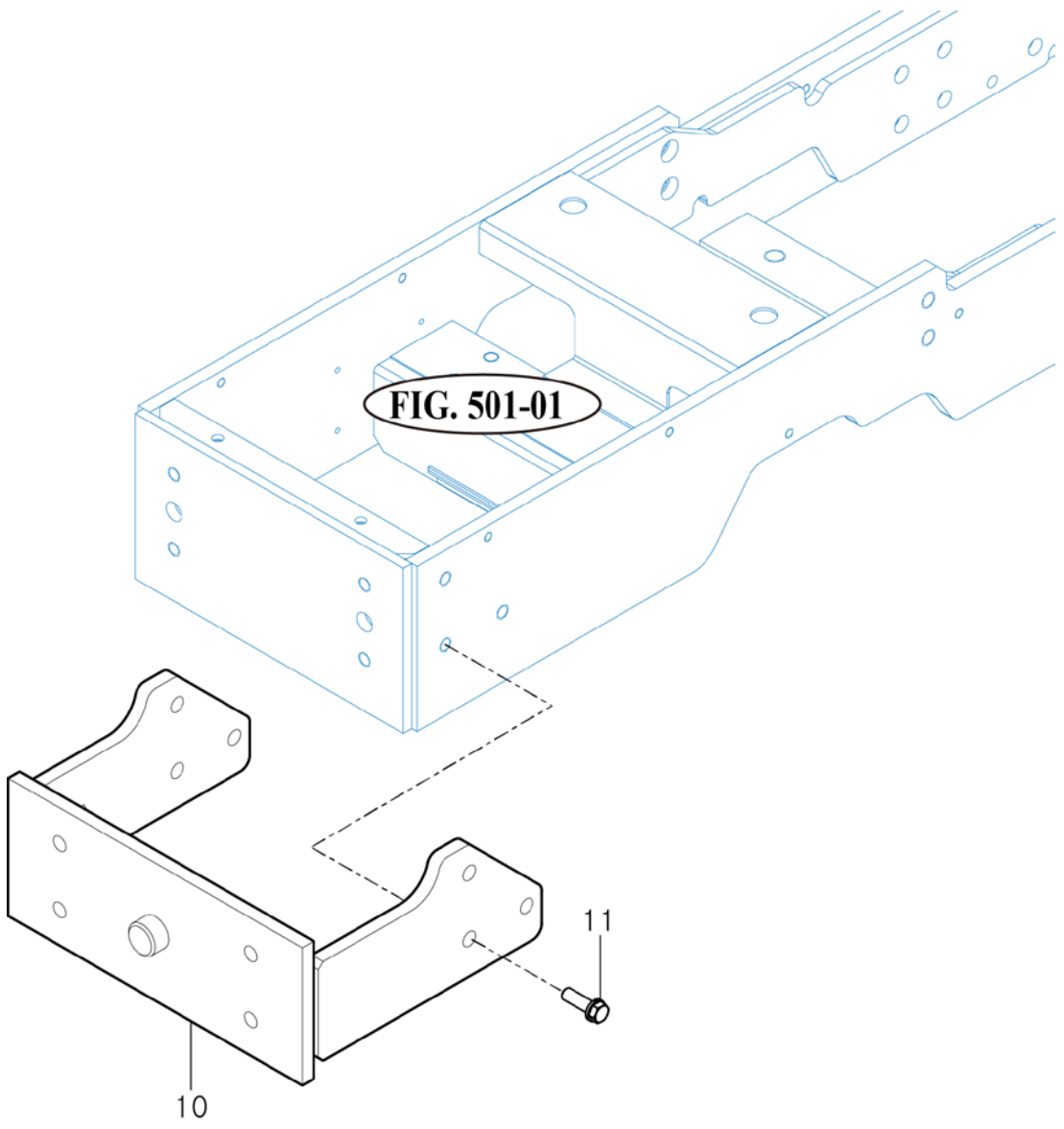
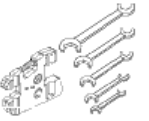
RK37H

WEIGHT

P1

Year

2017



NOTE

