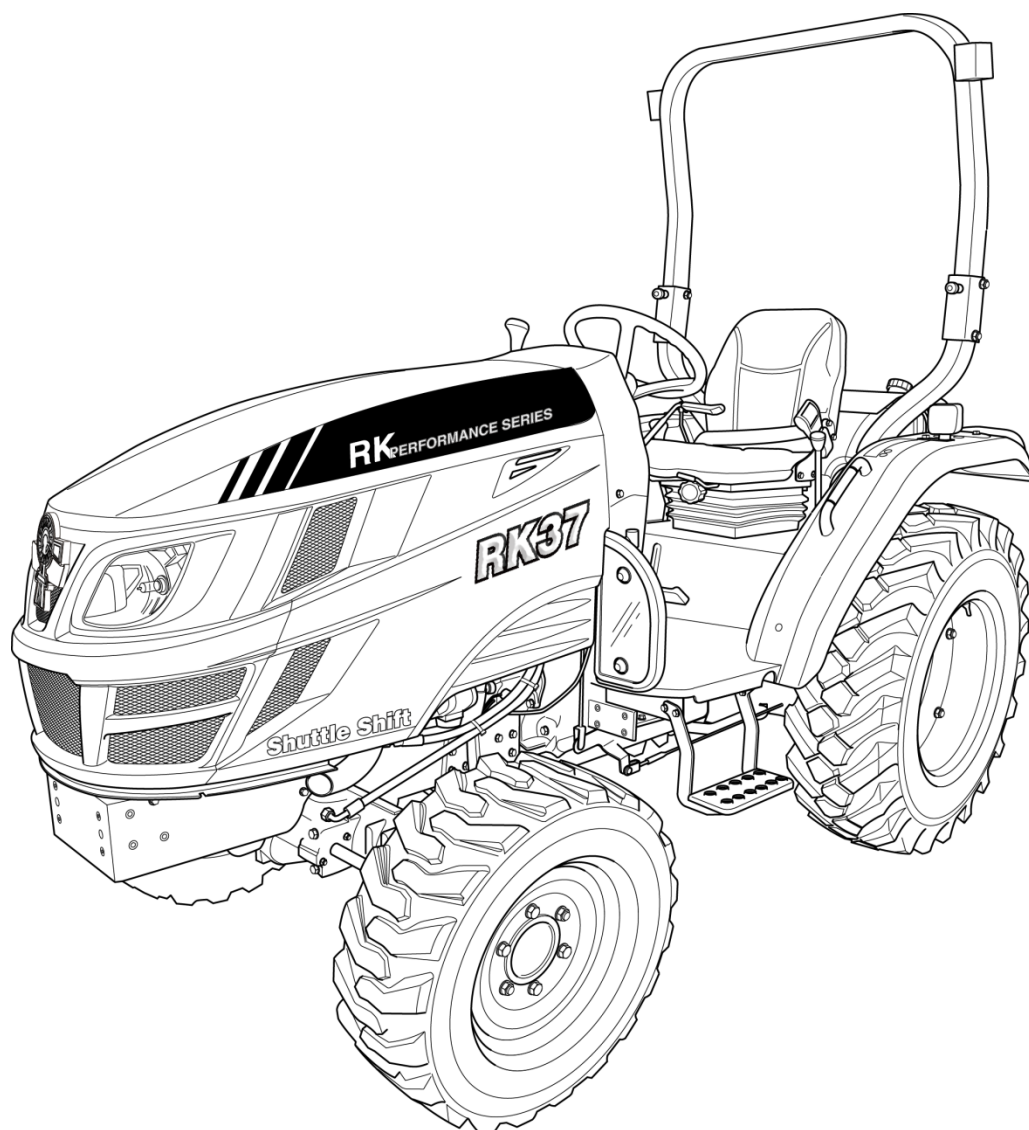


Parts Catalogue

RK37S



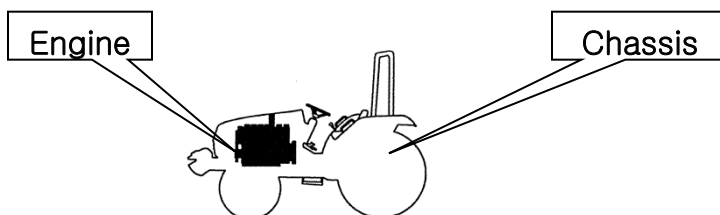
Important tips of Parts Catalogue

We thank you for your purchasing our product, manufactured under strict quality control, by gathering plenty of experiences and new technology, designed for a comfort and pleasant work.

1. Part Composition

This catalogue deals with engine and chassis.

Detailed classifications are listed in the following page.



2. For locating parts easily, Please Note:

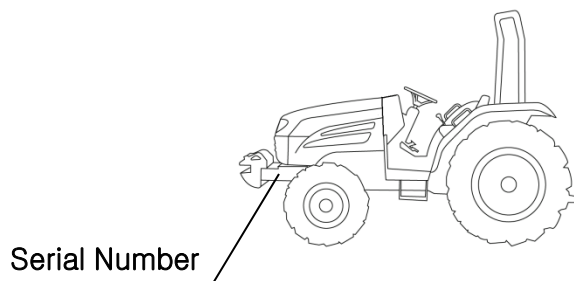
A. If you know the assembly where the part is used.

- Refer to the relevant figure from the identifying group symbol illustration,
- Locate the relevant chapter
- Refer to the particular chapter desired.

3. For ordering parts

To obtain spare parts please contact your nearest dealer and give him the details listed below.

- ① Tractor Model : Tractor
- ② Tractor Serial Number : W050000
- ③ Part Number : 16001032000
- ④ Description : Air cleaner assembly
- ⑤ Quantity required: 1



4. For ordering PARTS CATALOGUE

This is Priced item and one is to order the same on part No. 13019400020

This supersedes all our editions.

Note) When replacing parts, please use original spare parts to be sure of the performance and the longer life of the product

※ The information in this catalogue may at any time be modified without a prior notice for the improvement of performance, please consult our spare parts dept. for the detailed inquiry.

5. How to use parts catalogue

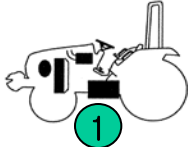
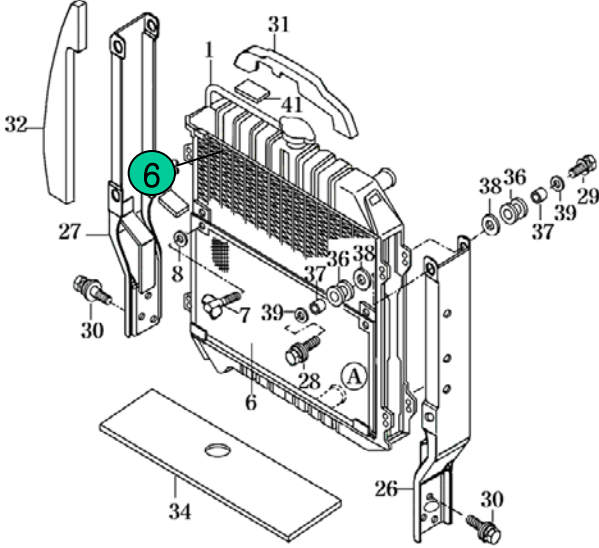
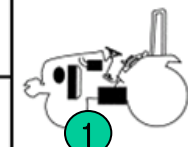
FIG 021 ②	③ RADIATOR	P1 ④	Year ⑤ 2017	
				
NOTE	⑬			

FIG 021 ②	③ RADIATOR	P1 ④	Year ⑤ 2017				
KEY NO ⑥	PART NO ⑦	PART NAME ⑧	SPEC ⑨	QTY ⑩	REPAIR ⑪	E/G SERIAL NO ⑫	REMARKS ⑭
023 001	14571042001	RADIATOR SET		1			
023 002	14571042101	RADIATOR SET		1			
023 003	14571042171	SHROUD		1			
023 006	1457104201HB	NET COMP					
023 007	V271042012	BOLT, WING	M6X12				
NOTE		⑬					

① Group Indication : Indicate the relevant location of the part with a symbol illustration.

② Figure Number: Indicate the relevant section of the machine with a figure number.

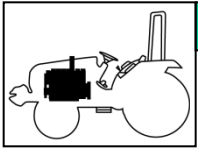
③ Section Name : Indicate the section name of the machine

④ Section Page : Page number of the section in this catalogue.

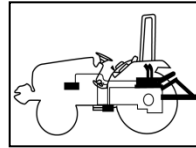
⑤ Date : Show the Year of the section made or updated

- ⑥ Key number : Indicating number of each parts in the illustration.
- ⑦ Part Number : Unique part number maintained in our system
 The part number starting with V or M means it is TYM's standard part
 The alphabet at the end of part number means the status of material or the color of paint
 Legend : M:Machining, DG:Dark Gray, BR:Bright Red, SW:Summer White, PB:Pure Black, GB:Glossy Black, SR:Super Red, MS:Metallic Silver DD:Heat proof Black, TY: Tangerine Yellow etc.
- ⑧ Description : Description of a part, Abbreviation means as follows.
 – Indicate the mixture condition of a part
 ASSY : Assembly with a mixture of several parts, so can be broke up retaining their original form
 COMP : Assembly with a mixture of several parts, but can not be broke up retaining their original form
 SUB : mean the same as ASSY but used in lower level in aid.
 SET : Part consist of ASSY, COMP, and part(s) as a group
 – Indicate the location of a part
 LH: Left, RH: Right, FR: Front, RR: Rear, UPR: Upper, LOW: Lower
- ⑨ Type : Type of the standard items like bolt or nut
- ⑩ Quantity : Total quantity of the part referred to in the page.
 Symbol below indicate options. So, show the quantity of each option.
 Note) AR means as requested quantity.
- ⑪ Repair Parts consumption frequency class: indicate the level of a part in aid of stocking spares, anticipating the service requirements.
 A :Fast moving part(frequently required)
 B :Medium moving part (sometimes required)
 C :Slow moving part(rarely required)
- ⑫ Modification :
 Year/Month~ : From which the change starts
 ~ Year/Month : To which the part installed
- ⑬ Notes : explain some reference data
- ⑭ Remark : indicate reference data or abbreviation in the content.

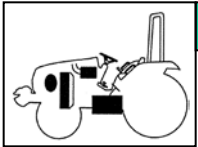
ENGINEERING GROUP INDEX



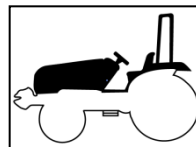
1 ENGINE



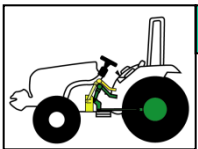
6 HYDRAULICS & 3-POINT LINK



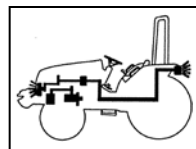
2 ENGINE ACCESSORIES & CONTROL



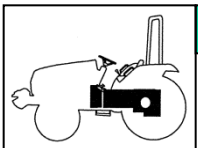
7 SHEET METAL & ROPS



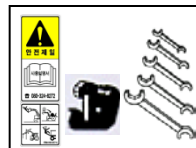
3 CLUTCH, BRAKE, STEERING



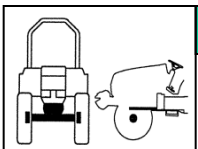
8 ELECTRICALS & HARNESS



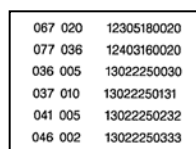
4 TRANSMISSION & REAR AXLE



9 WEIGHT, LABEL, TOOLS



5 FRONT AXLE, SUPPORTER & DRIVE SHAFT



10 NUMERICAL INDEX

067 020	12305180020
077 036	12403160020
036 005	13022250030
037 010	13022250131
041 005	13022250232
046 002	13022250333

CONTENTS

ENGINE

1

FIG 101 CYLINDER BLOCK-----	04
FIG 102 GEAR HOUSING-----	06
FIG 103 FLYWHEEL HOUSING & OIL SUMP-----	08
FIG 104 CYLINDER HEAD & BONNET-----	10
FIG 105 SUCTION MANIFOLD-----	14
FIG 106 EXHAUST MANIFOLD-----	16
FIG 107 DIESEL PARTICULATE FILTER(DPF)-----	18
FIG 108 CAMSHAFT & DRIVING GEAR-----	20
FIG 109 CRANKSHAFT & PISTON-----	22
FIG 110 LUB.OIL SYSTEM-----	24
FIG 111 COOLING WATER SYSTEM-----	26
FIG 112 FUEL SUPPLY PUMP-----	28
FIG 113 FUEL INJECTION VALVE-----	30
FIG 114 FUEL PIPE-----	32
FIG 115 STARTER MOTOR-----	34
FIG 117 ELECTRONIC CONTROL UNIT(ECU)-----	36
FIG 118 ELECTRIC PARTS-----	38

CHASSIS

2 ENGINE ACCESSORIES & CONTROL

FIG 201 AIR CLEANER-----	44
FIG 202 RADIATOR-----	46
FIG 203 MUFFLER-----	48
FIG 204 FUEL TANK-----	50
FIG 205 ACCELERATOR-----	52

3 CLUTCH, BRAKE, STEERING

FIG 301 CLUTCH PEDAL-----	58
FIG 302 FLYWHEEL & CLUTCH-----	60
FIG 303 BRAKE PEDAL-----	62
FIG 304 BRAKE-----	64
FIG 306 FRONT WHEEL MOUNTING-----	66
FIG 307 REAR WHEEL MOUNTING-----	68
FIG 308 STEERING WHEEL-----	70
FIG 309 STEERING VALVE & TILT-----	72
FIG 310 STEERING CYLINDER-----	74

4 TRANSMISSION & REAR AXLE

FIG 401 TRANSMISSION FRONT CASE-----	80
FIG 402 INPUT METAL-----	82
FIG 403 INPUT GEAR-----	84
FIG 404 4WD DRIVE GEAR-----	86
FIG 405 MAIN CHANGE GEARS & REVERSE GEARS-----	88
FIG 406 SUB CHANGE GEARS-----	90
FIG 407 PINION GEARS-----	92

FIG 408 P.T.O DRIVE SHAFT-----	94
FIG 409 P.T.O CHANGE GEARS-----	96
FIG 410 DIFF LOCK-----	98
FIG 411 TRANSMISSION REAR CASE-----	100
FIG 412 REAR AXLE HOUSINGS (1)-----	102
FIG 413 REAR AXLE HOUSINGS (2)-----	104
FIG 414 MAIN CHANGE LEVER-----	106
FIG 415 SUB CHANGE LEVER-----	108
FIG 416 REVERSE LINK-----	110
FIG 417 REVERSE CHANGE LEVER-----	112
FIG 418 4WD CHANGE LEVER-----	114

5 FRONT AXLE

FIG 501 FRONT AXLE BRACKET-----	120
FIG 502 FRONT DIFFERENTIAL GEARS & SHAFT-----	122
FIG 503 FRONT AXLE HOUSING-----	124
FIG 504 FRONT GEAR CASE (1)-----	126
FIG 505 FRONT GEAR CASE (2)-----	128

6 HYDRAULICS & 3-POINT LINK

FIG 601 GEAR PUMP-----	134
FIG 602 CYLINDER CASE-----	136
FIG 603 LIFT ARM-----	138
FIG 604 CYLINDER-----	140
FIG 605 POSITION LINK (1)-----	142
FIG 606 POSITION LINK (2)-----	144
FIG 607 CONTROL VALVE-----	146
FIG 608 POSITION LEVER-----	148
FIG 609 HYDRAULIC PIPE (1)-----	150
FIG 610 HYDRAULIC PIPE (2)-----	152
FIG 611 EXTERIOR HYD.VALVE-----	154

FIG 612 3-POINT LINK-----	156
FIG 613 HITCH & COVER-----	158

7 SHEET METAL & R.O.P.S

FIG 701 HOOD (1)-----	164
FIG 702 BONNET-----	166
FIG 704 FENDER & REAR FRAME-----	168
FIG 705 DASHPANEL-----	172
FIG 706 FLOOR PANEL-----	174
FIG 707 SEAT-----	176
FIG 708 FRONT & REAR MOUNTING-----	178
FIG 709 ROPS-----	180

8 ELECTRICALS & HARNESS

FIG 801 BATTERY & MOUNTING-----	186
FIG 802 LAMP-----	188
FIG 803 INSTRUMENT PANEL-----	190
FIG 804 ELECTRIC SYSTEM-----	192
FIG 805 HARNESS (1)-----	194
FIG 806 HARNESS (2)-----	196

9 WEIGHT,LABEL,TOOLS

FIG 901 WEIGHT-----	202
FIG 902 TOOL & ACCESSORY-----	204
FIG 903 LABEL-----	208

10 NUMERICAL INDEX

ENGINE-----	213
CHASSIS-----	217

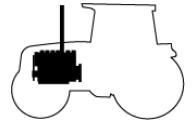
FIG 101

CYLINDER BLOCK

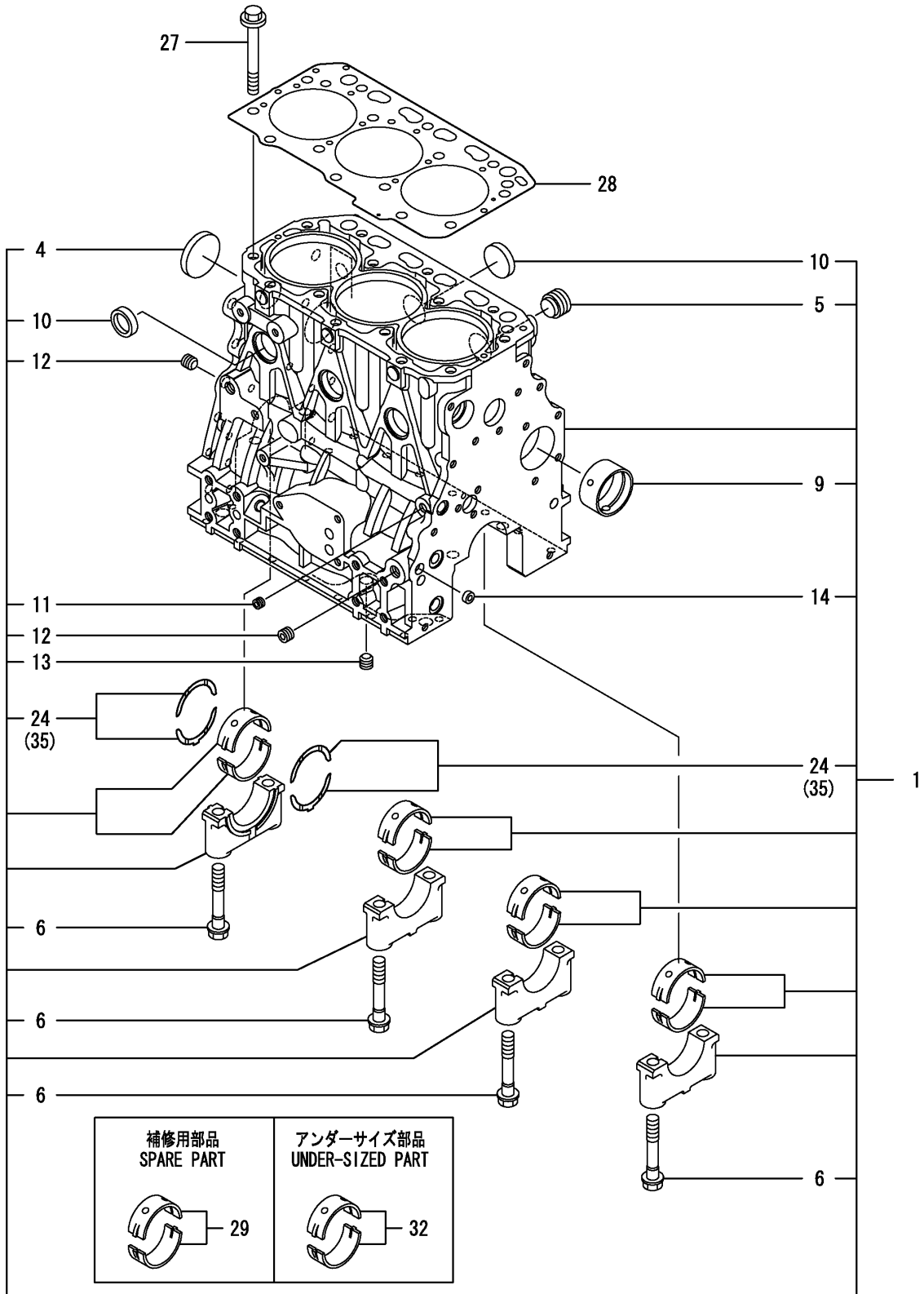
P1

Year

2017



RK37S



NOTE

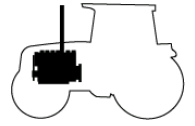
FIG 102

GEAR HOUSING

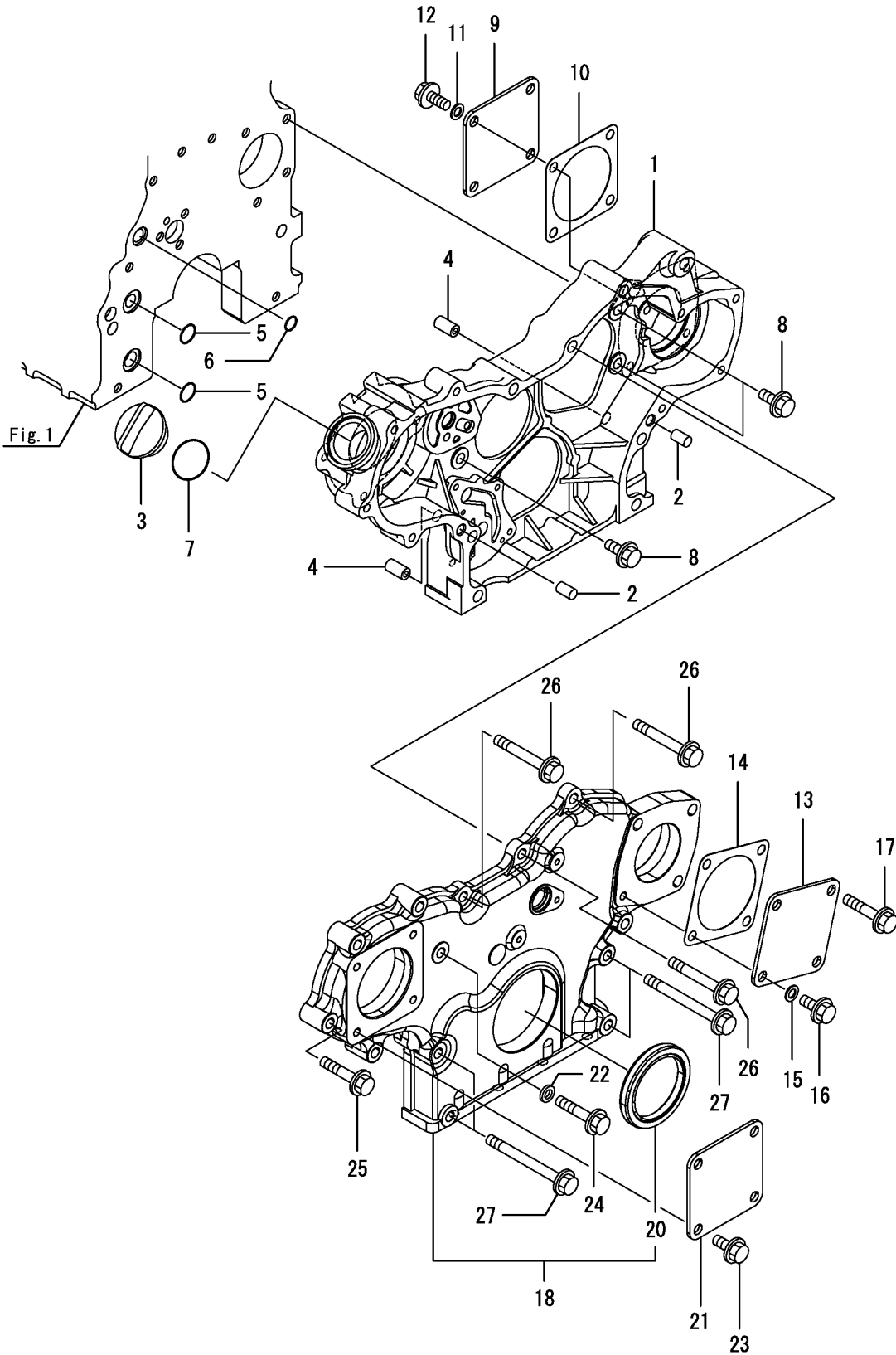
P1

Year

2017



RK37S



NOTE

FIG 103

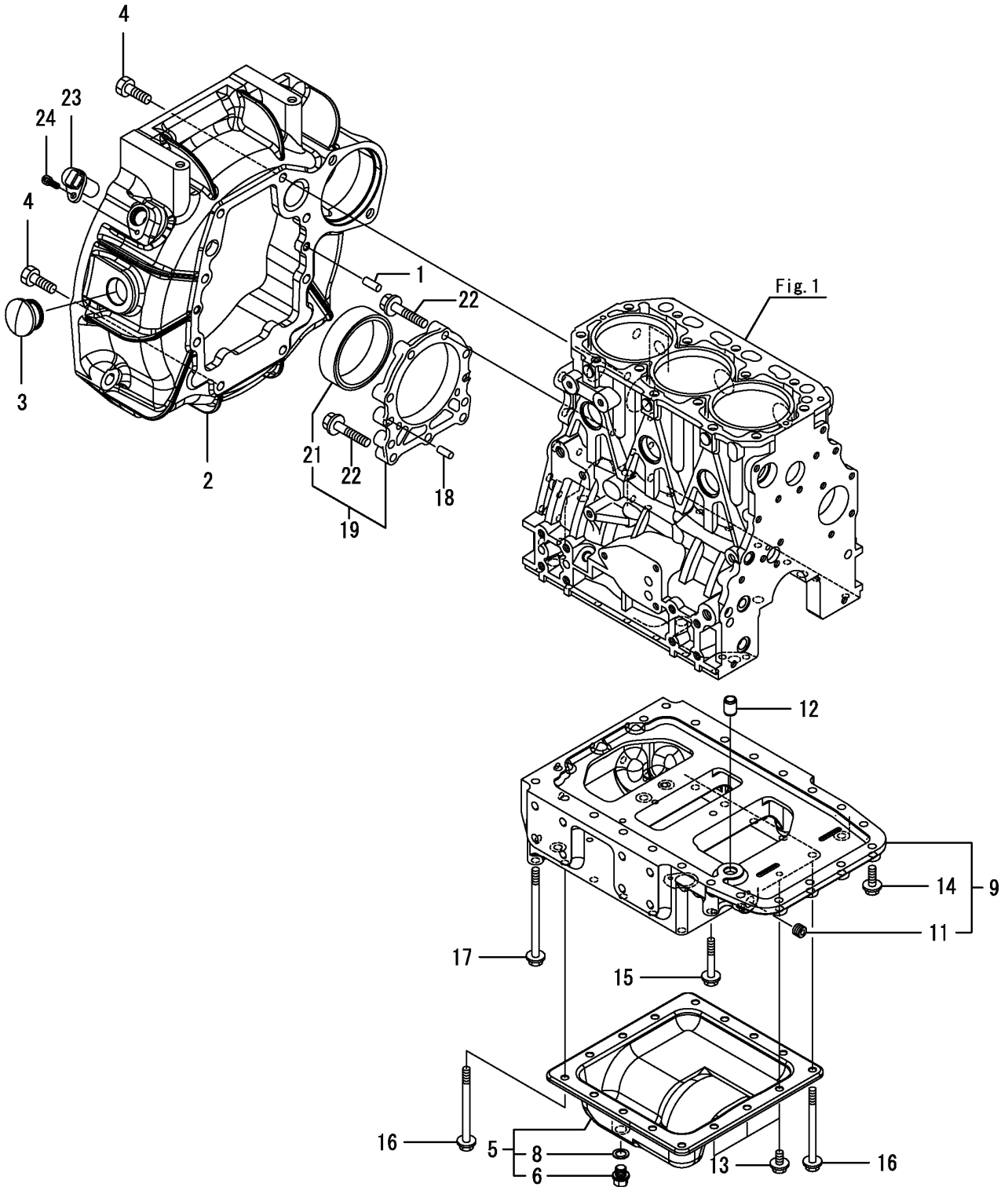
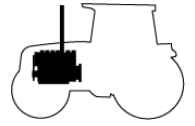
RK37S

FLYWHEEL HOUSING & OIL SUMP

P1

Year

2017



NOTE

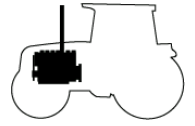
FIG 104

CYLINDER HEAD & BONNET

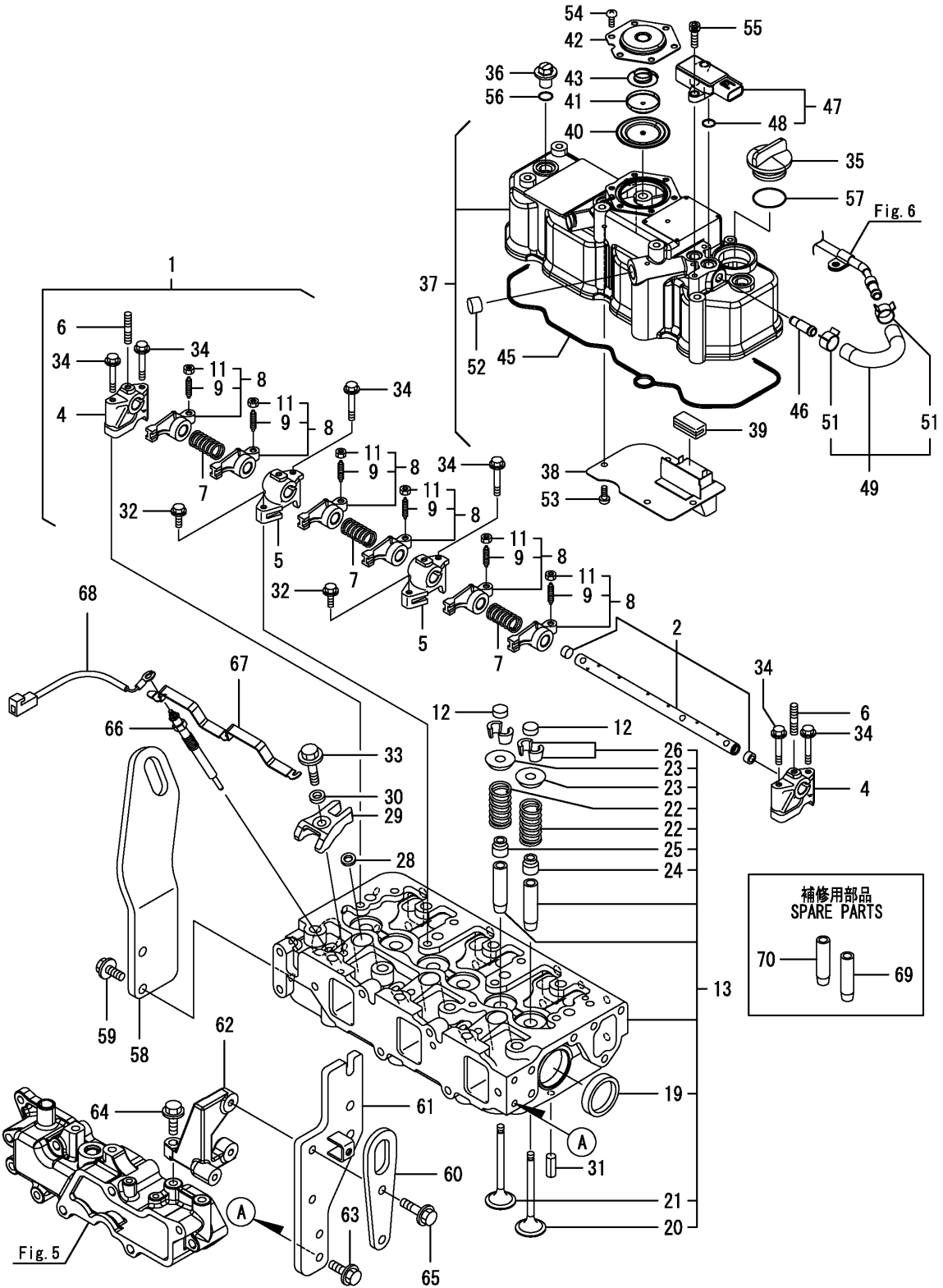
P1

Year

2017



RK37S



NOTE

FIG 104		CYLINDER HEAD & BONNET			P1	Year	
RK37						2017	
KEY NO.	PART NO.	DESCRIPTION	SPEC.	QTY. RK37	REPAIR	ENG.SERIAL NO.	REMARKS
104	1	129004-11241	SHAFT ASSY, ROCKER	1			
104	2	129004-11251	SHAFT, ROCKER ARM	1			
104	4	119802-11260	SUPPORT, ROCKER ARM	2			
104	5	119802-11270	SUPPORT, ROCKER ARM	2			
104	6	119802-11280	BOLT, STUD	3			
104	7	129150-11280	SPRING, ROCKER	3			
104	8	129004-11650	ARM ASSY, ROCKER	6			
104	9	129150-11230	SCREW, VALVE ADJUST	6			
104	11	129150-11750	NUT, M8	6			
104	12	129150-11370	CAP, VALVE	6			
104	13	129A00-11710	HEAD ASSY, CYLINDER	1			
104	19	27241-400000	PLUG, 40	2			
104	20	129005-11100	VALVE, SUCTION	3			
104	21	129100-11112	VALVE, EXHAUST	3			
104	22	129795-11120	SPRING, VALVE	6			
104	23	129795-11180	RETAINER, SPRING	6			
104	24	124460-11340	SEAL, VALVE STEM	3			
104	25	129A00-11340	SEAL, VALVE STEM	3			
104	26	27310-080001	COTTER, 8	6			
104	28	129978-11871	GASKET,INJECTOR	3			
104	29	129A00-11900	RETAINER, INJECTOR	3			
104	30	120270-54410	WASHER, INJECTOR	3			
104	31	22351-060012	PIN, SPRING 6.0X12	2			
104	32	26106-080252	BOLT, M8X 25 PLATED	2			
104	33	26106-080352	BOLT, M8X 35 PLATED	3			
104	34	26106-080502	BOLT, M8X 50 PLATED	6			
104	35	124160-01751	CAP, FILLER	1			
104	36	124160-11360	KNOB	3			
104	37	129A00-11360	BONNET ASSY	1			
104	38	129004-03010	PLATE, BAFFLE	1			
104	39	129150-03070	BAFFLE, BREATHER	1			
104	40	123907-03100	DIAPHRAGM	1			
104	41	123907-03110	PLATE	1			
104	42	123907-03120	PLATE, BREATHER	1			
104	43	123907-03140	SPRING, DIAPHRAGM	1			
104	45	129A00-11310	GASKET, BONNET	1			
104	46	129A00-11330	JOINT	1			
104	47	129978-12700	SENSOR,PRESSURE	1			
104	48	129A00-12780	O-RING,PRES SENSOR	2			
104	49	129A00-13360	HOSE ASSY, PRES EXH	1			
104	51	129A00-13380	CLIP, HOSE 14	2			
104	52	119640-61400	PLUG	1			
104	53	22857-500100	SCREW, 5X10	4			
104	54	22857-500100	SCREW, 5X10	6			
104	55	26450-060162	BOLT, M6X 16	2			
104	56	24311-000120	O-RING, 1AP12.0	3			
104	57	24311-000320	O-RING, 1AP32.0	1			
104	58	129A00-07900	LIFTER, ENGINE	1			
NOTE							

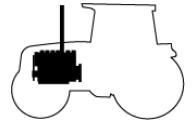
FIG 104

CYLINDER HEAD & BONNET

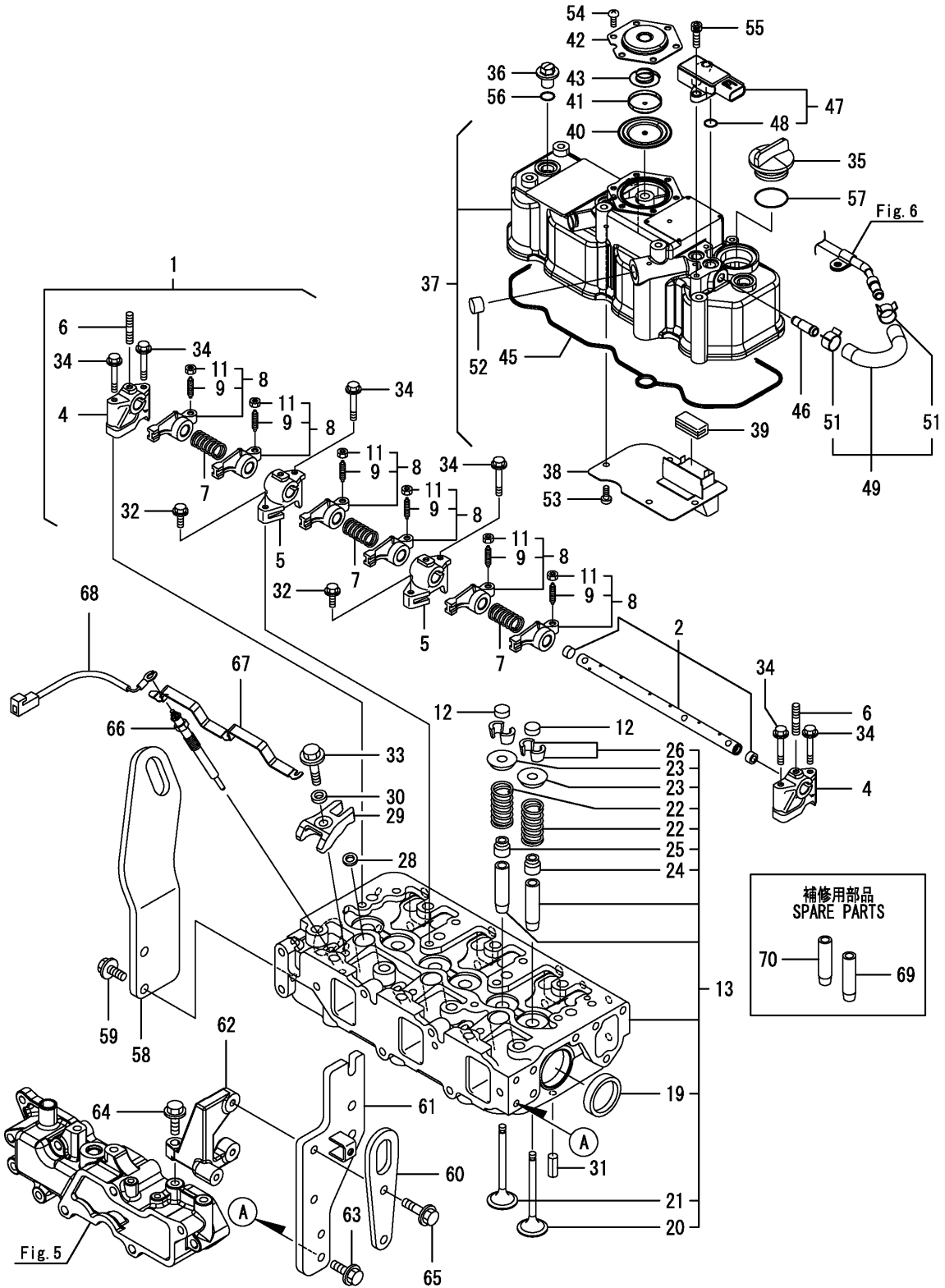
P2

Year

2017



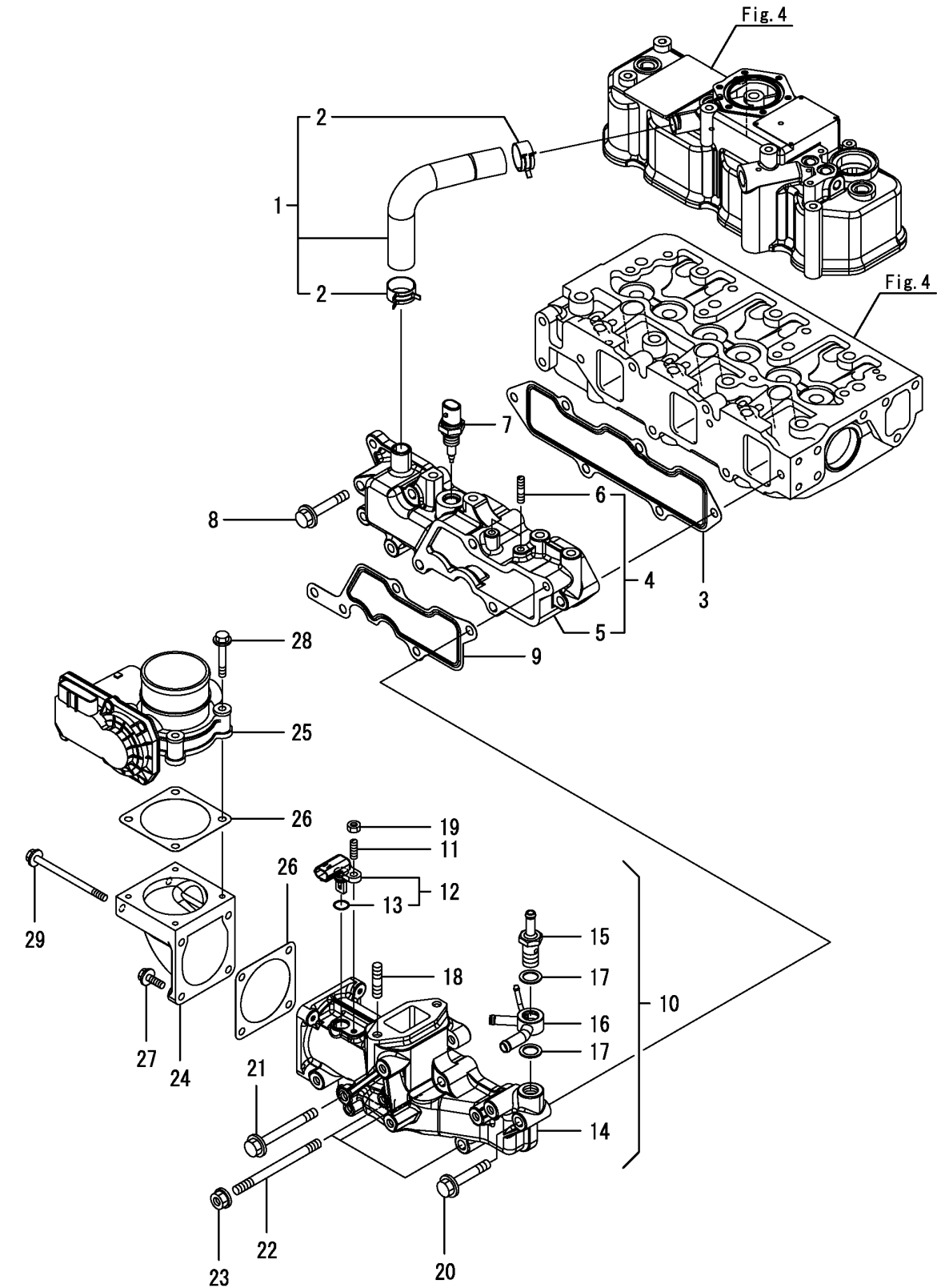
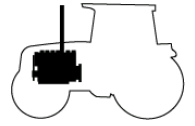
RK37S



補修用部品
SPARE PARTS

70 — 69

NOTE



NOTE

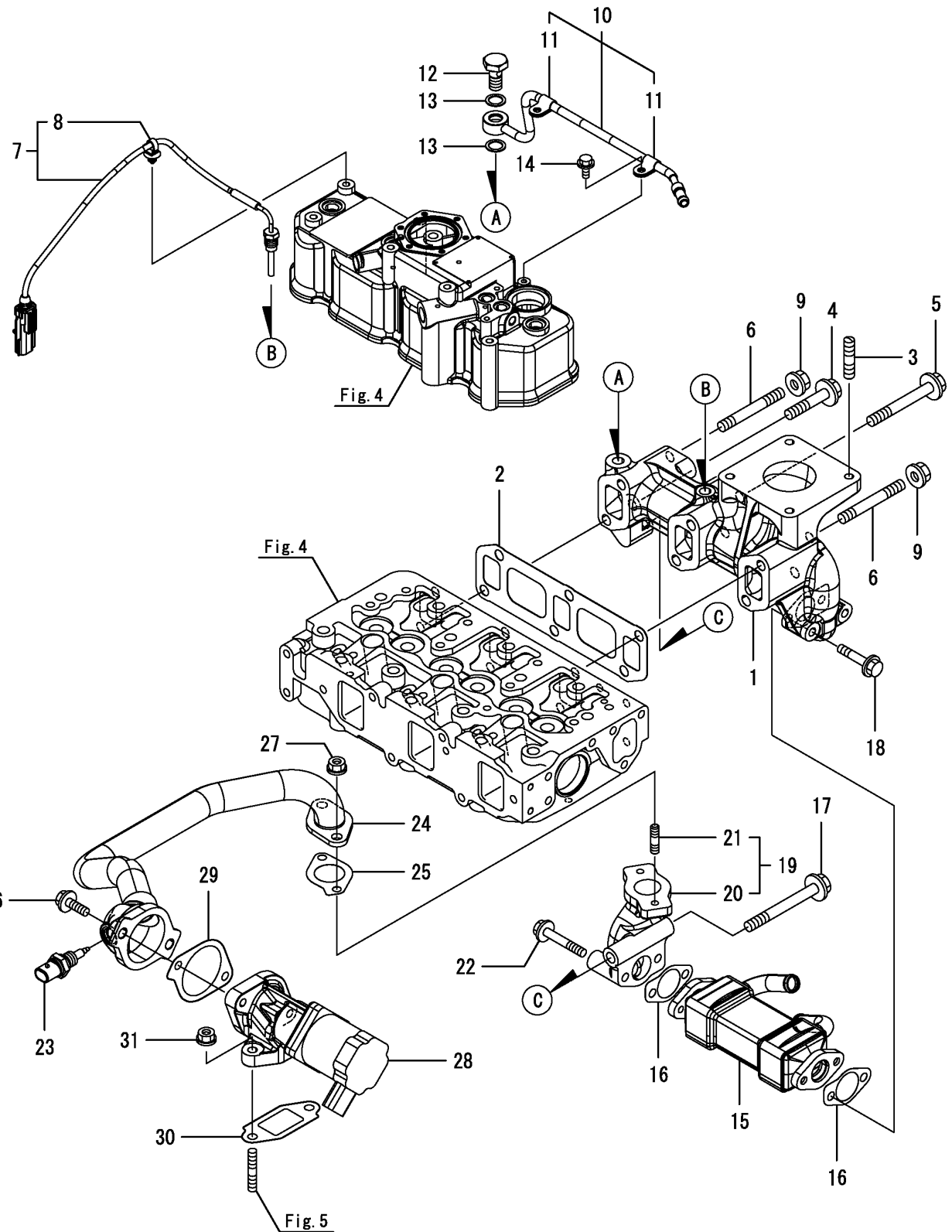
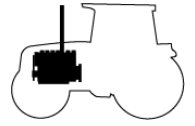
FIG 106

EXHAUST MANIFOLD

P1

Year

2017



NOTE

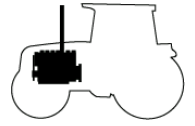
FIG 107

DIESEL PARTICULATE FILTER(DEF)

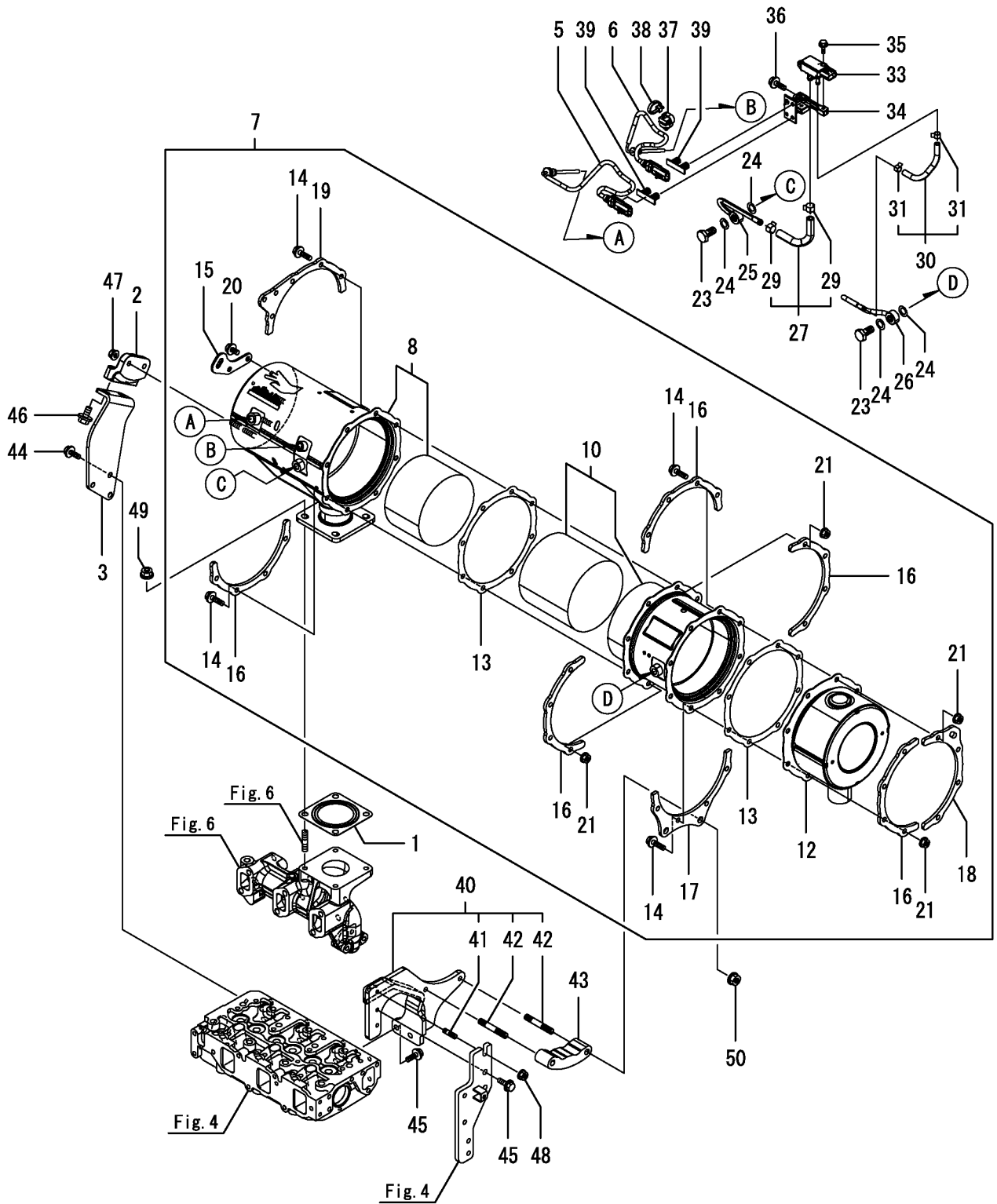
P1

Year

2017



RK37S



NOTE

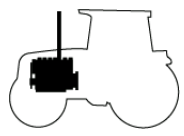
FIG 107		DIESEL PARTICULATE FILTER(DPF)				P1	Year	
RK37							2017	
KEY NO.	PART NO.	DESCRIPTION	SPEC.	QTY. RK37	REPAIR	ENG.SERIAL NO.	REMARKS	
107	1	128300-13230	GASKET, SILENCER	1				
107	2	129A00-16820	STAY,DPF	1				
107	3	129A00-16830	STAY,DPF	1				
107	5	129C00-13940	SENSOR, EXH.TEMP	1				
107	6	129C00-13950	SENSOR, EXH.TEMP	1				
107	7	129A26-16000	DPF ASSY	1				
107	8	129A00-16210	CASE, DOC	1				
107	10	129A00-16410	CASE, SOOT FILTER	1				
107	12	129A00-16500	SILENCER, DPF	1				
107	13	129A00-16600	GASKET, DPF	2				
107	14	129A00-16610	BOLT, M8X28 10.9T	16				
107	15	129C01-16690	LIFTER, DPF	1				
107	16	129A00-16700	STIFFENER, DPF A	5				
107	17	129A00-16720	STIFFENER, DPF B	1				
107	18	129A00-16740	STIFFENER, DPF C	1				
107	19	129A00-16750	STIFFENER, DPF C	1				
107	20	26106-080142	BOLT, M8X 14 PLATED	2				
107	21	26306-080002	NUT, M8	16				
107	23	129A00-13350	BOLT, PIPE JOINT	2				
107	24	129A00-17311	GASKET,SENSOR	4				
107	25	129A00-17330	PIPE ASSY, SENSOR	1				
107	26	129A00-17360	PIPE ASSY, SENSOR	1				
107	27	129A00-17610	HOSE ASSY,PRES EXH	1				
107	29	129A00-17520	CLIP, HOSE	2				
107	30	129A00-17670	HOSE ASSY,PRES EXH	1				
107	31	129A00-17570	CLIP, HOSE	2				
107	33	129978-17700	SENSOR,PRESSURE	1				
107	34	129A00-17780	BRACKET, SENSOR	1				
107	35	26106-060162	BOLT, M6X 16 PLATED	2				
107	36	26106-080202	BOLT, M8X 20 PLATED	2				
107	37	129A00-91200	BAND CLIP	1				
107	38	129C00-91200	BAND	1				
107	39	129A00-91430	CLIP, CONNECTOR	2				
107	40	129A26-17360	STAY ASSY, DPF	1				
107	41	26216-080202	STUD, M8X 20	1				
107	42	26216-100552	STUD, M10X 55	2				
107	43	129A23-17370	SPACER, DPF	1				
107	44	26106-080162	BOLT, M8X 16 PLATED	3				
107	45	26106-080202	BOLT, M8X 20 PLATED	4				
107	46	26106-100202	BOLT, M10X 20 PLATED	2				
107	47	26306-080002	NUT, M8	2				
107	48	26306-080002	NUT, M8	1				
107	49	26306-100002	NUT, M10	4				
107	50	26306-100002	NUT, M10	2				
NOTE								

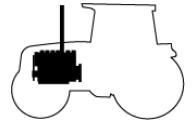
FIG 108

CAMSHAFT & DRIVING GEAR

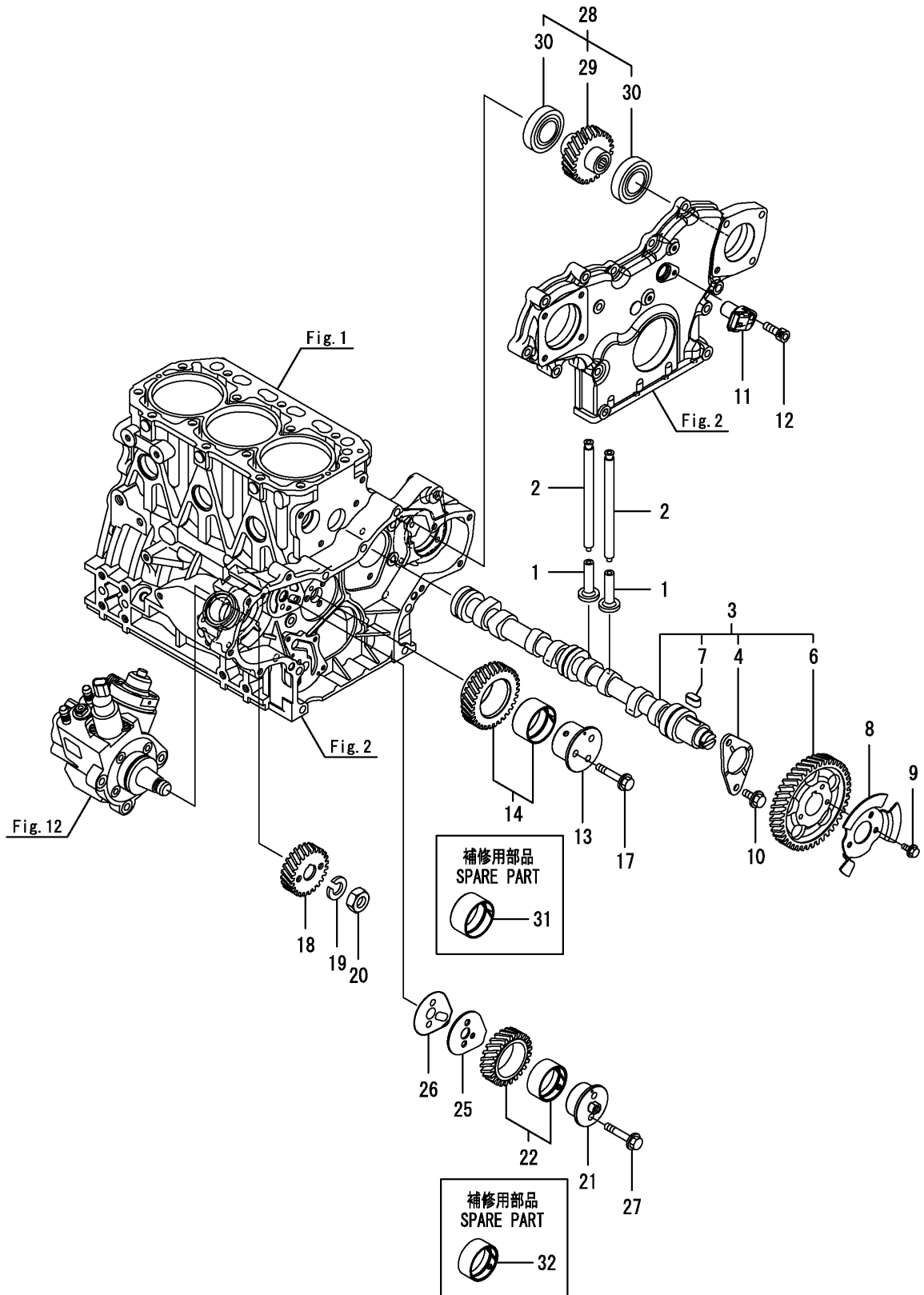
P1

Year

2017



RK37S



NOTE

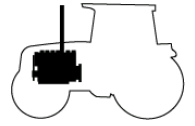
FIG 109

CRANKSHAFT & PISTON

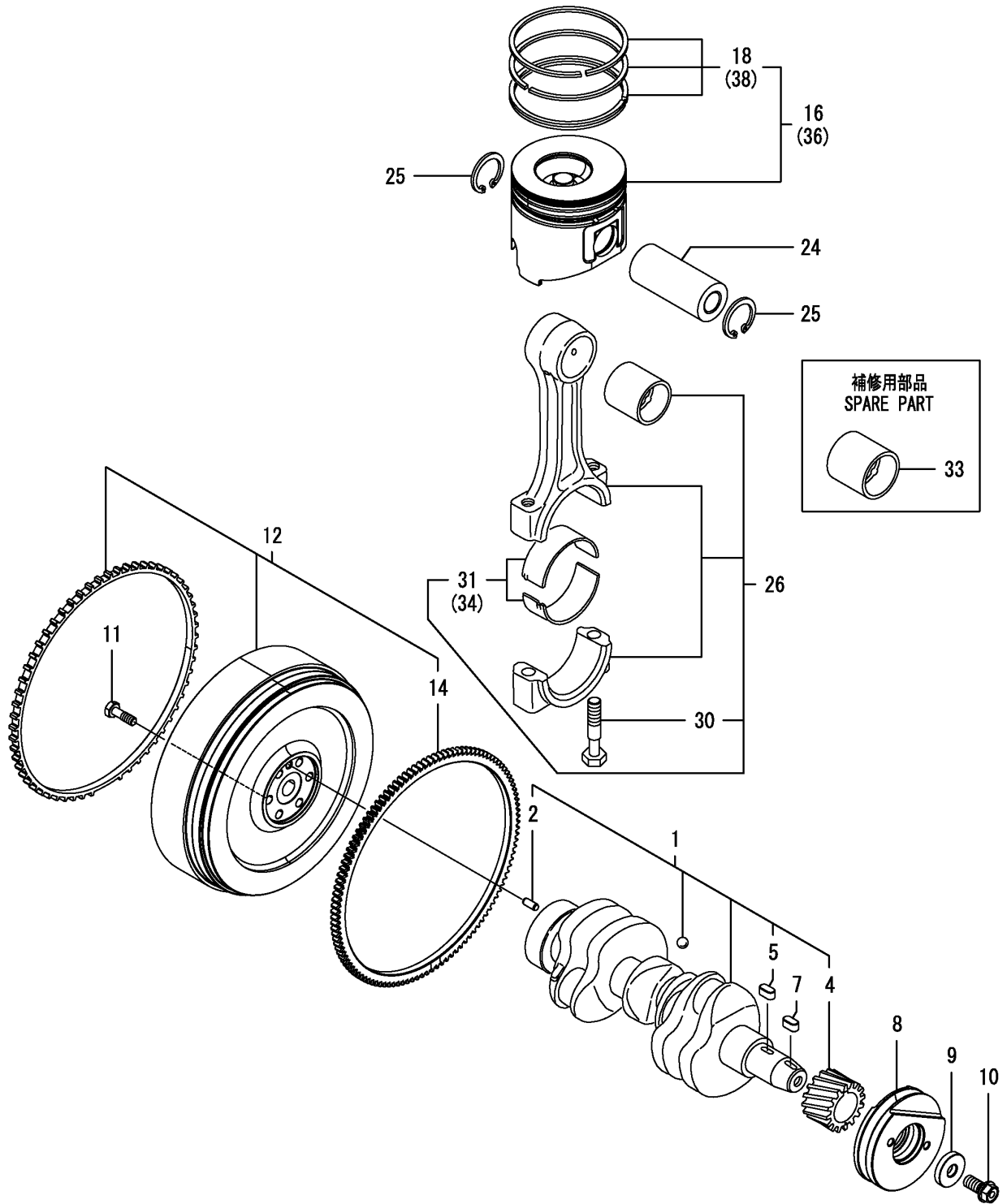
P1

Year

2017



RK37S



NOTE

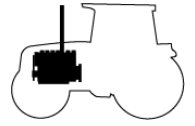
FIG 110

LUB. OIL SYSTEM

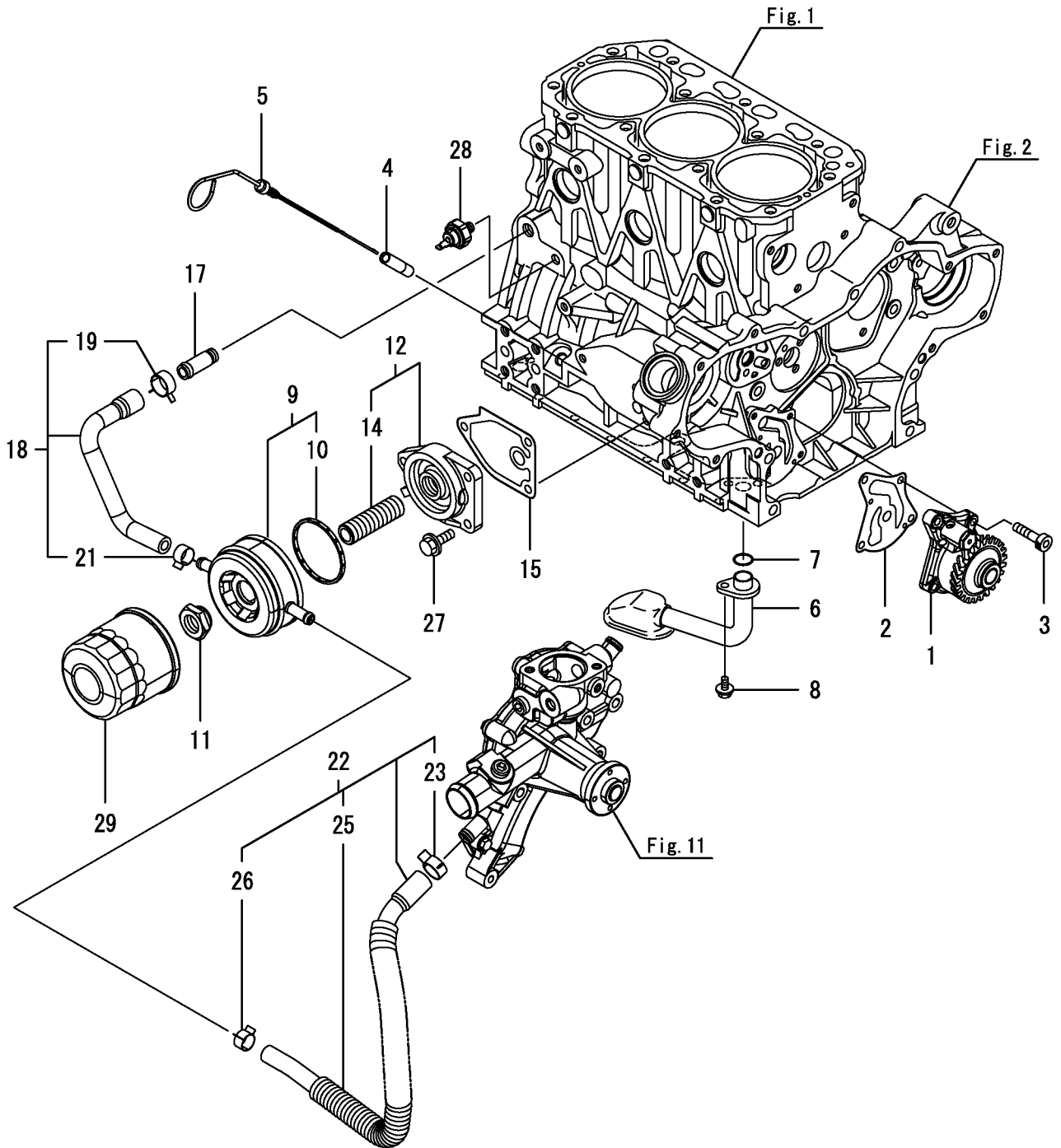
P1

Year

2017



RK37S



NOTE

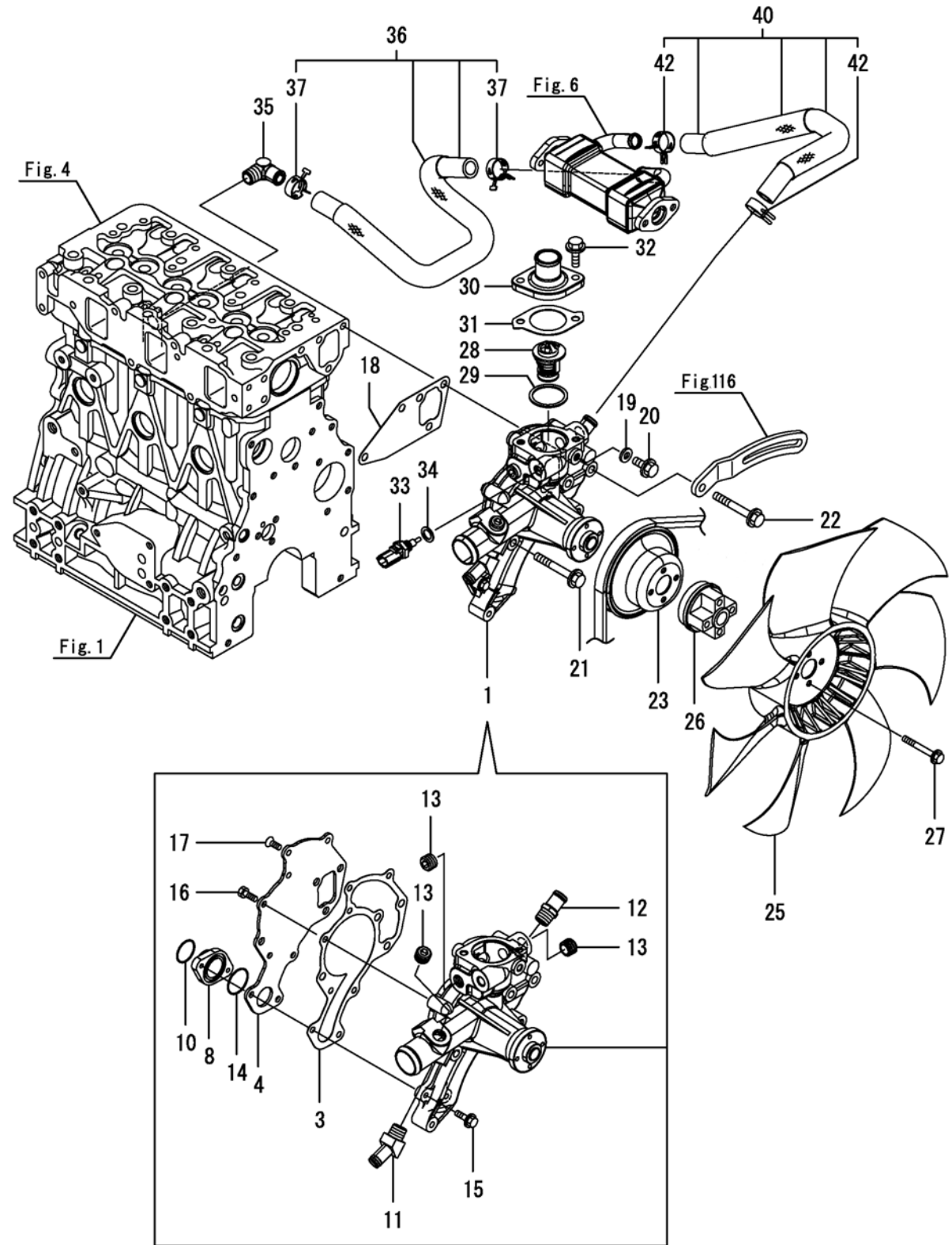
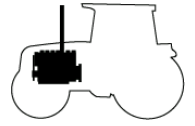
FIG 111

COOLING WATER SYSTEM

P1

Year

2017



NOTE

FIG 112

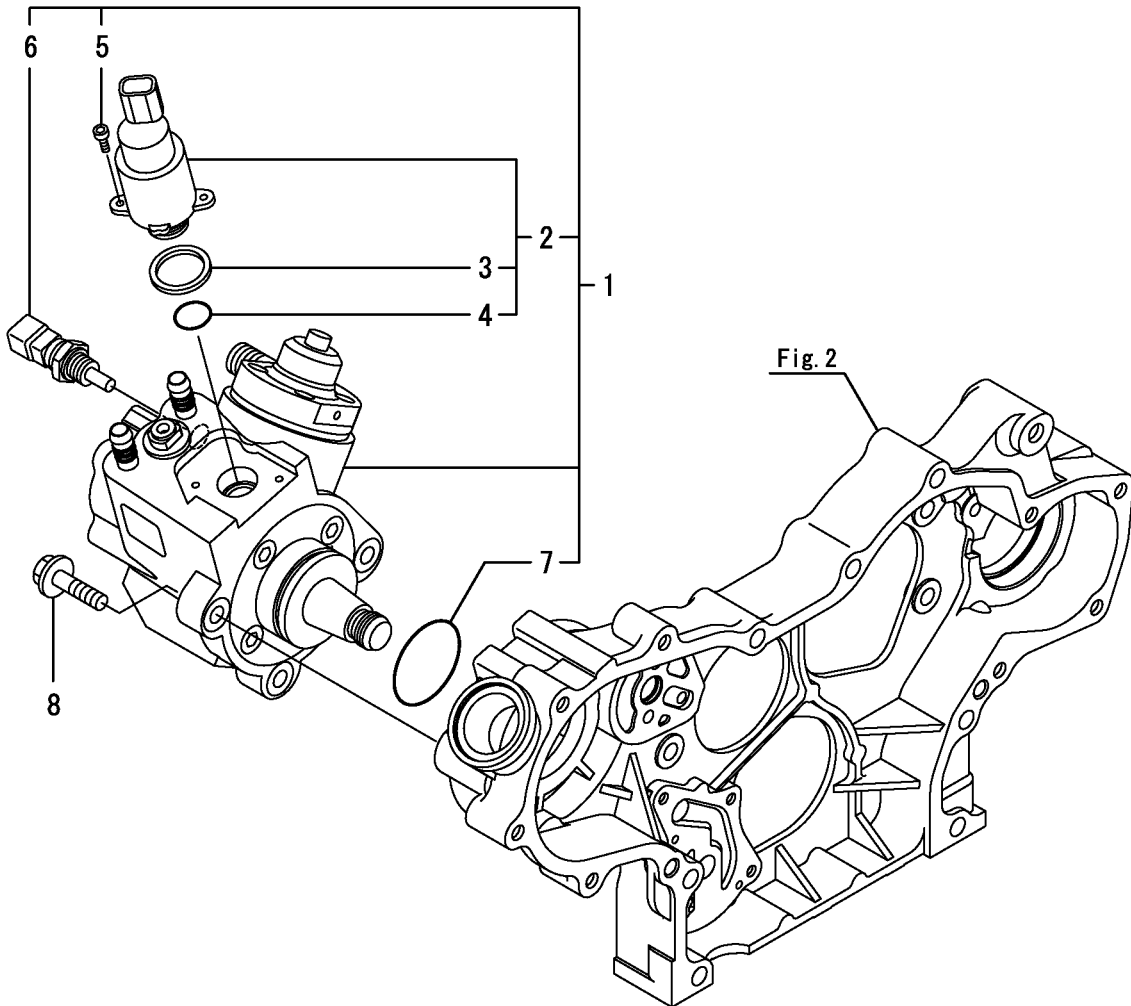
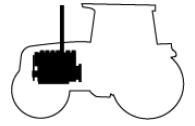
RK37S

FUEL SUPPLY PUMP

P1

Year

2017



NOTE

FIG 113

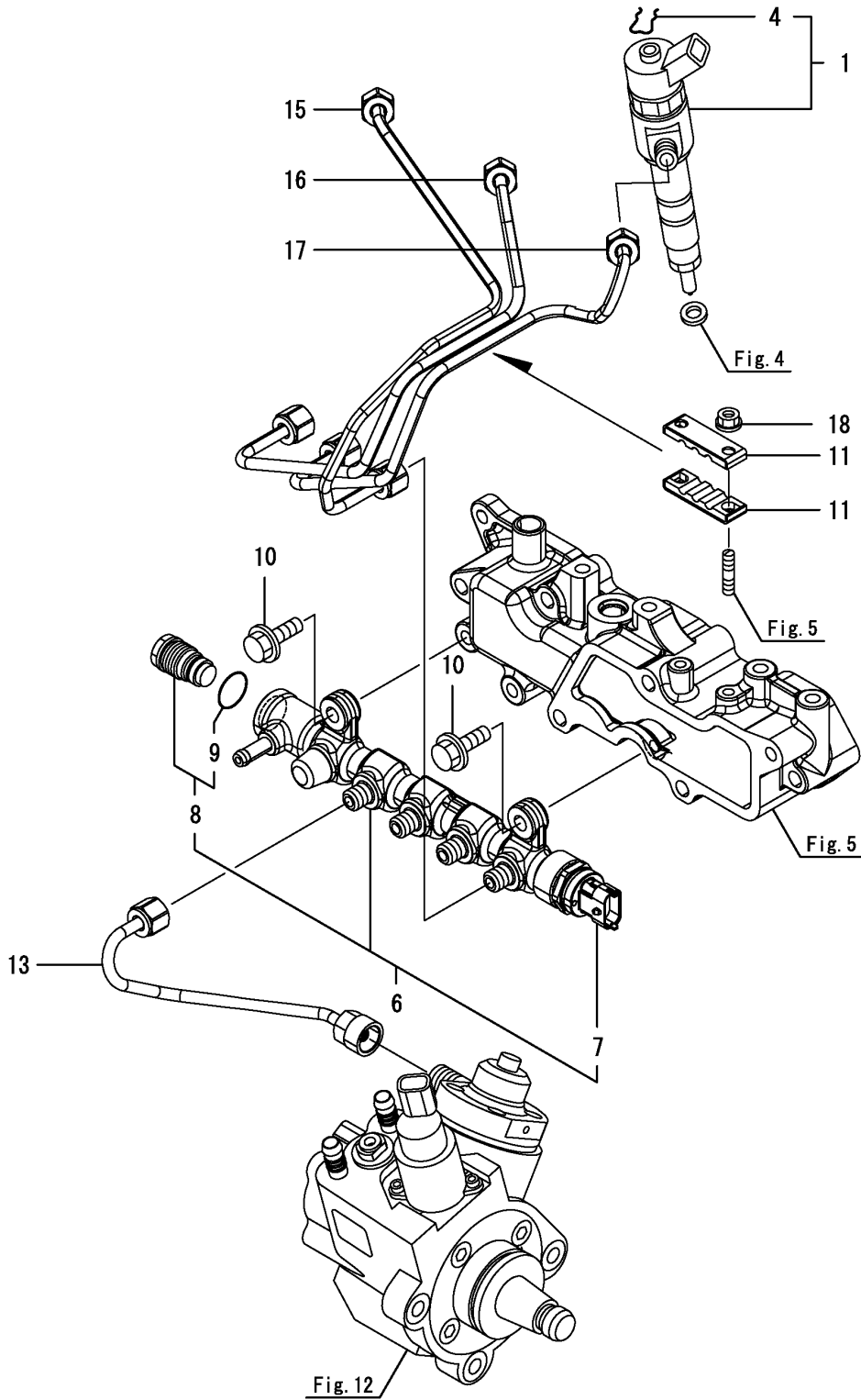
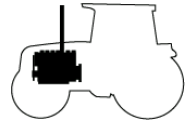
RK37S

FUEL INJECTION VALVE

P1

Year

2017



NOTE

FIG 113 RK37	FUEL INJECTION VALVE				P1	Year	
						2017	

KEY NO.	PART NO.	DESCRIPSTION	SPEC.	QTY.	REPAIR	ENG.SERIAL NO.	REMARKS
				RK37			
113	1	129A00-53100	INJECTOR, CR	3			
113	4	129A00-53200	RING, RETAINING	3			
113	6	129A00-57000	RAIL ASSY	1			
113	7	129A00-57100	SENSOR, RAILPRESSURE	1			
113	8	129A00-57200	VALVE ASSY, PLV4	1			
113	9	129A00-57210	O-RING, PLV4	1			
113	10	26106-080252	BOLT, M8X 25 PLATED	2			
113	11	123372-59100	RETAINER, PIPE	2			
113	13	129A00-59700	PIPE ASSY, RAIL IN	1			
113	15	129A00-59810	PIPE ASSY, INJECTION	1			
113	16	129A00-59820	PIPE ASSY, INJECTION	1			
113	17	129A00-59830	PIPE ASSY, INJECTION	1			
113	18	26366-060002	NUT, M6	2			

NOTE	
------	--

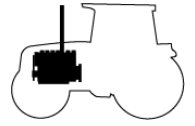
FIG 114

FUEL PIPE

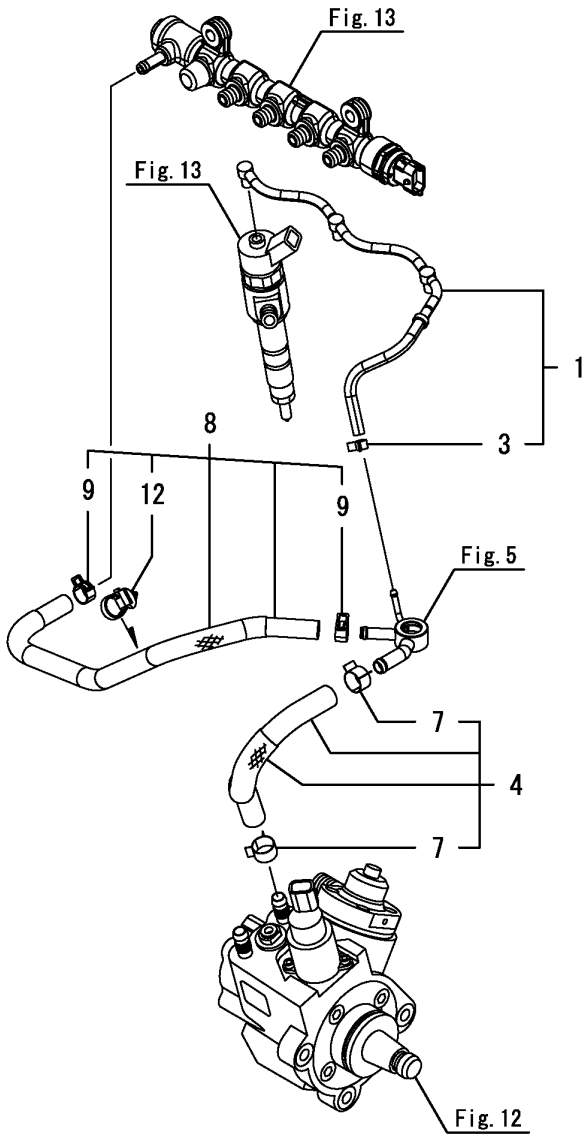
P1

Year

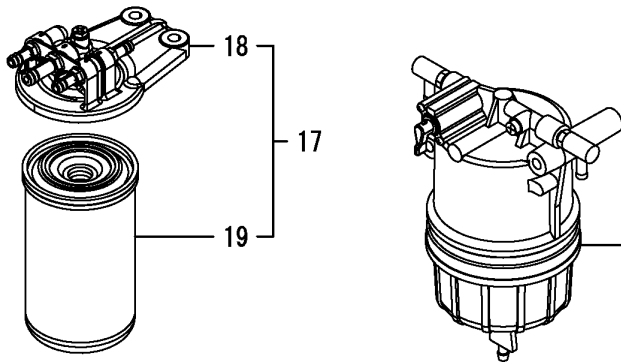
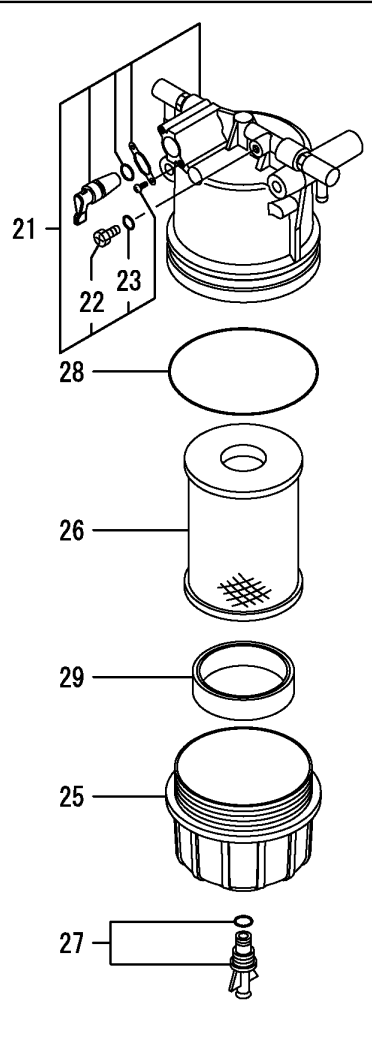
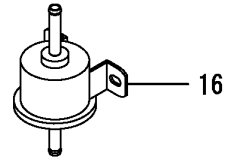
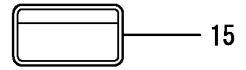
2017



RK37S



同梱品
LOOSE PARTS



NOTE

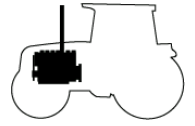
FIG 115

STARTER MOTOR

P1

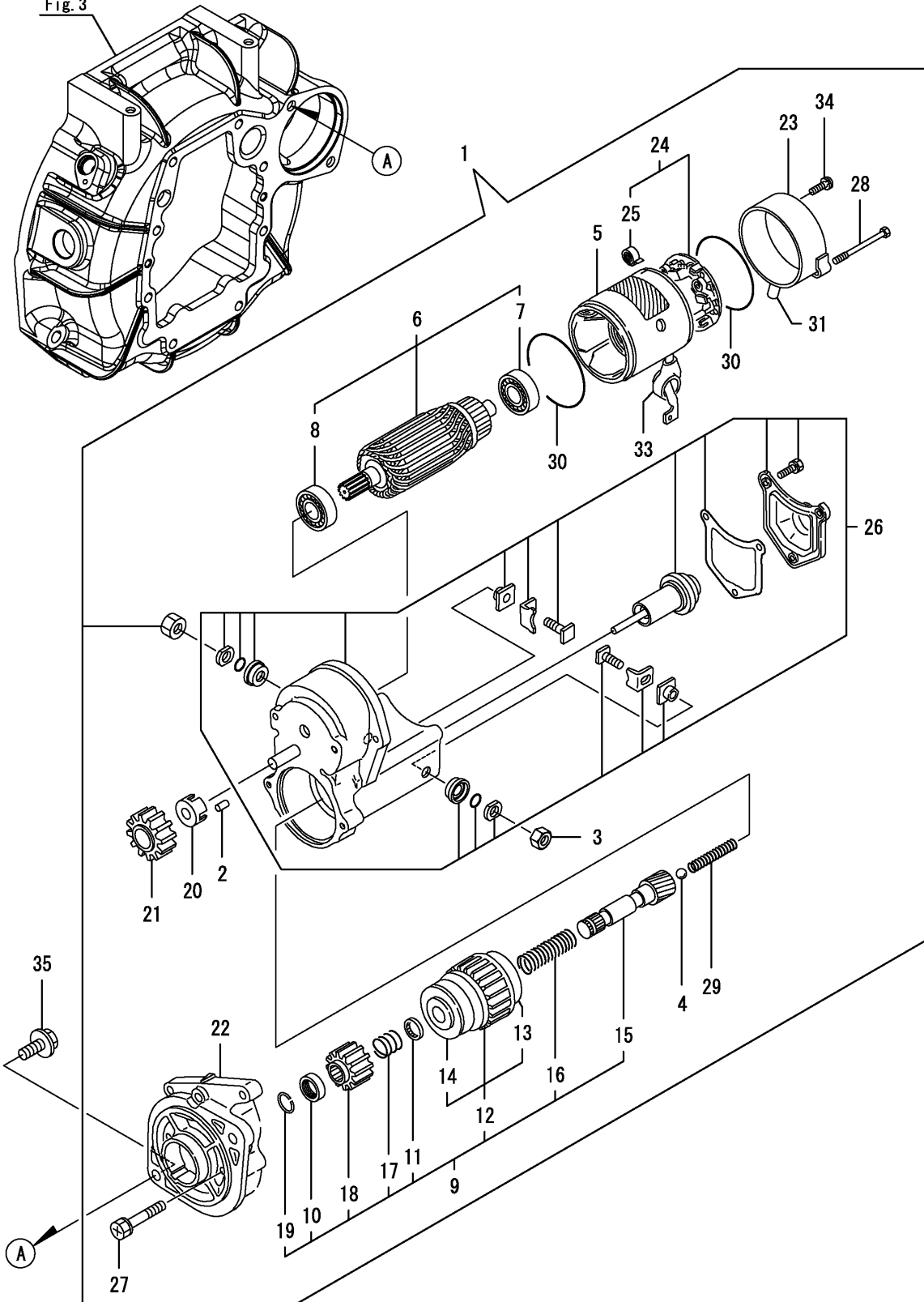
Year

2017



RK37S

Fig. 3



NOTE

FIG 117

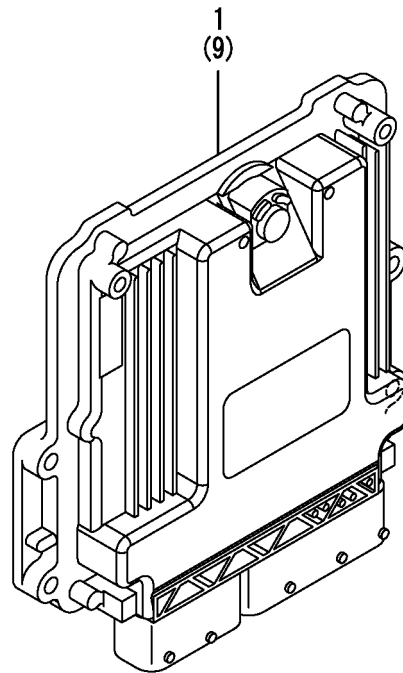
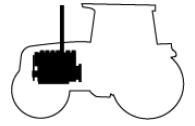
RK37S

ELECTRONIC CONTROL UNIT(ECU)

P1

Year

2017



NOTE

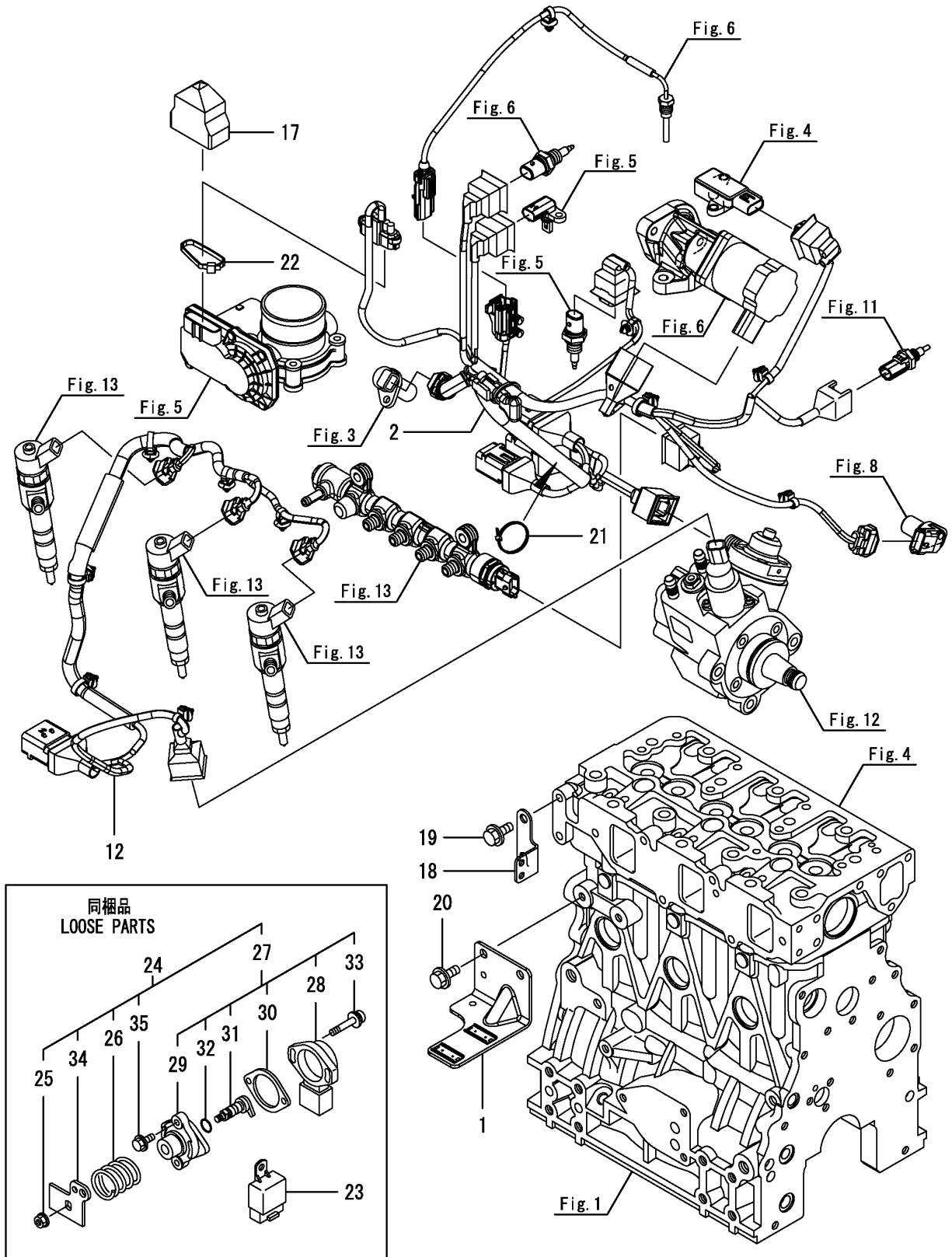
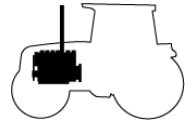
FIG 118

ELECTRIC PARTS

P1

Year

2017



NOTE

FIG 201

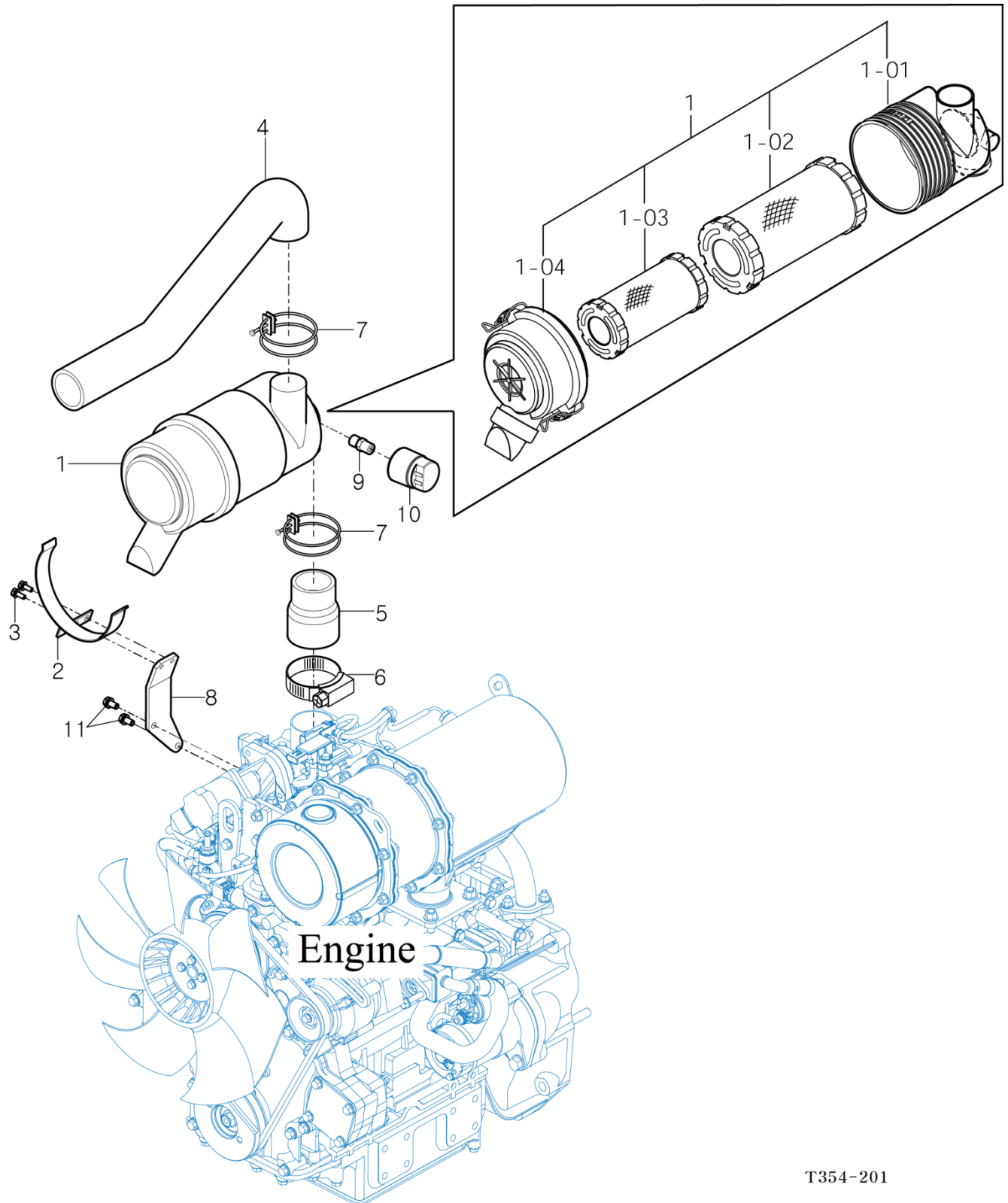
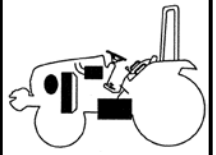
RK37S

AIR CLEANER

P1

Year

2017



T354-201

NOTE

FIG 202

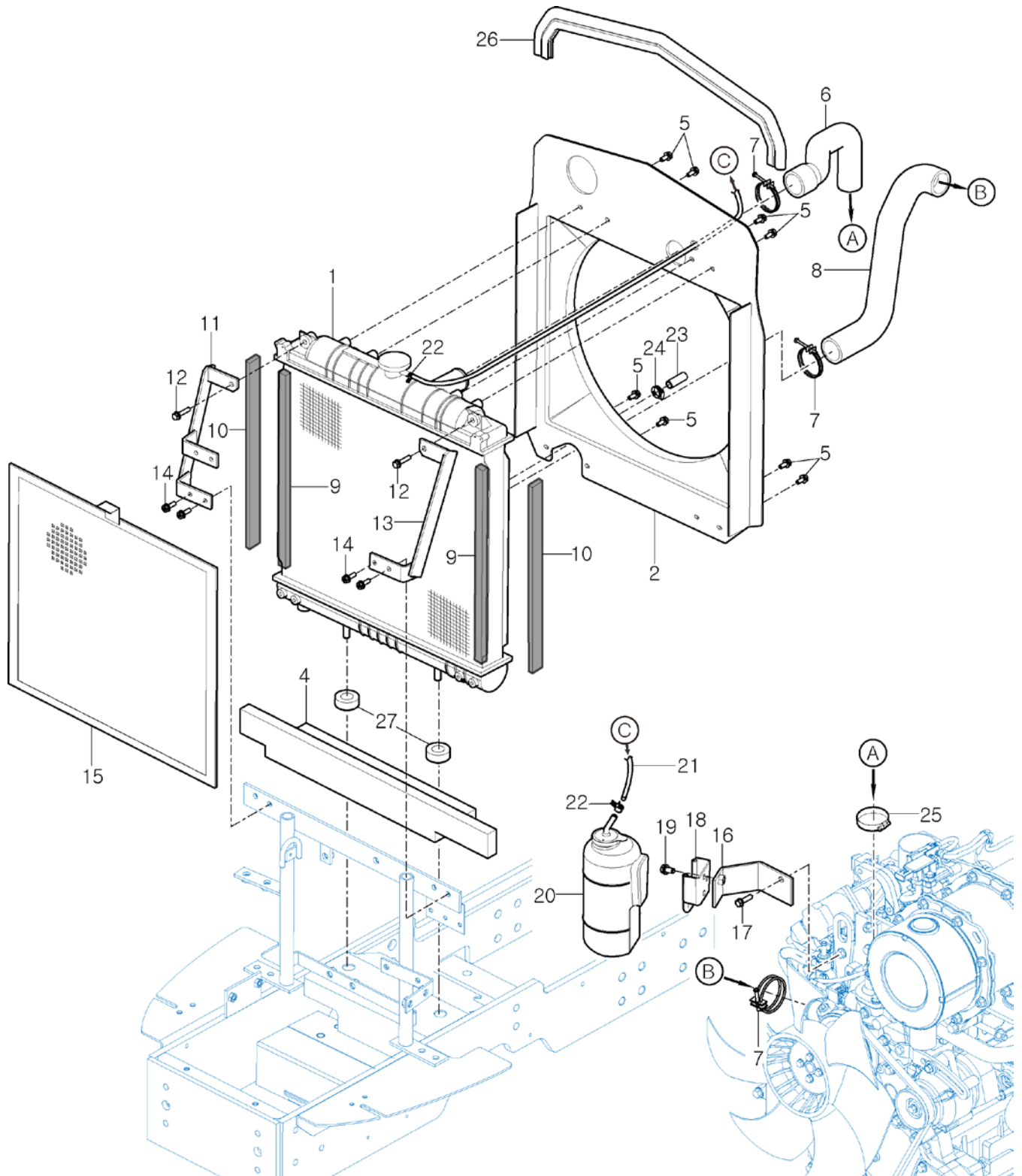
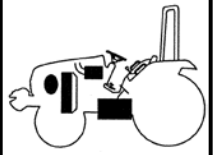
RK37S

RADIATOR

P1

Year

2017



NOTE

FIG 203

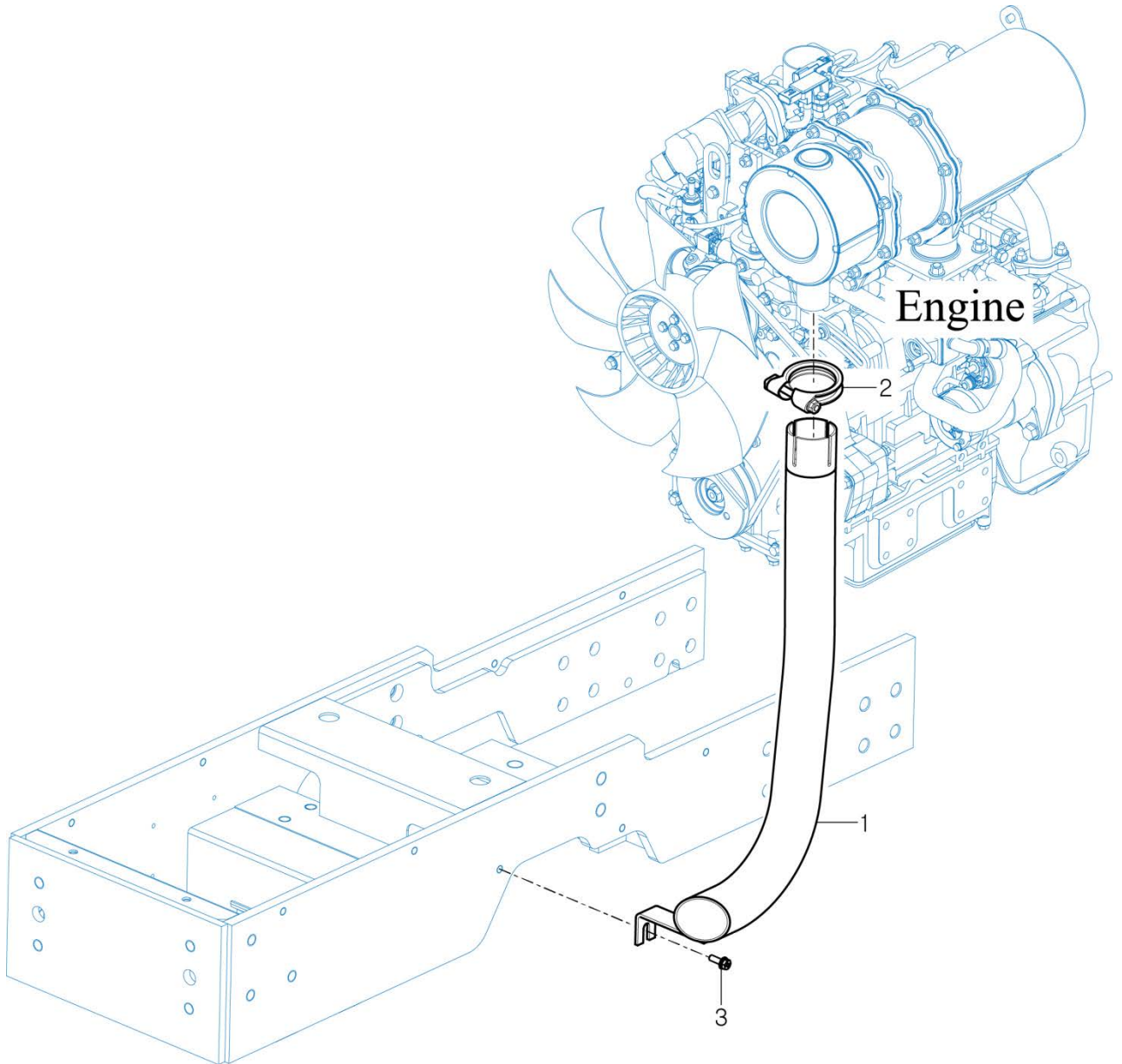
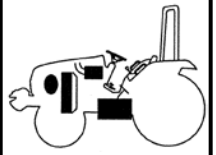
RK37S

MUFFLER

P1

Year

2017



NOTE

FIG 204

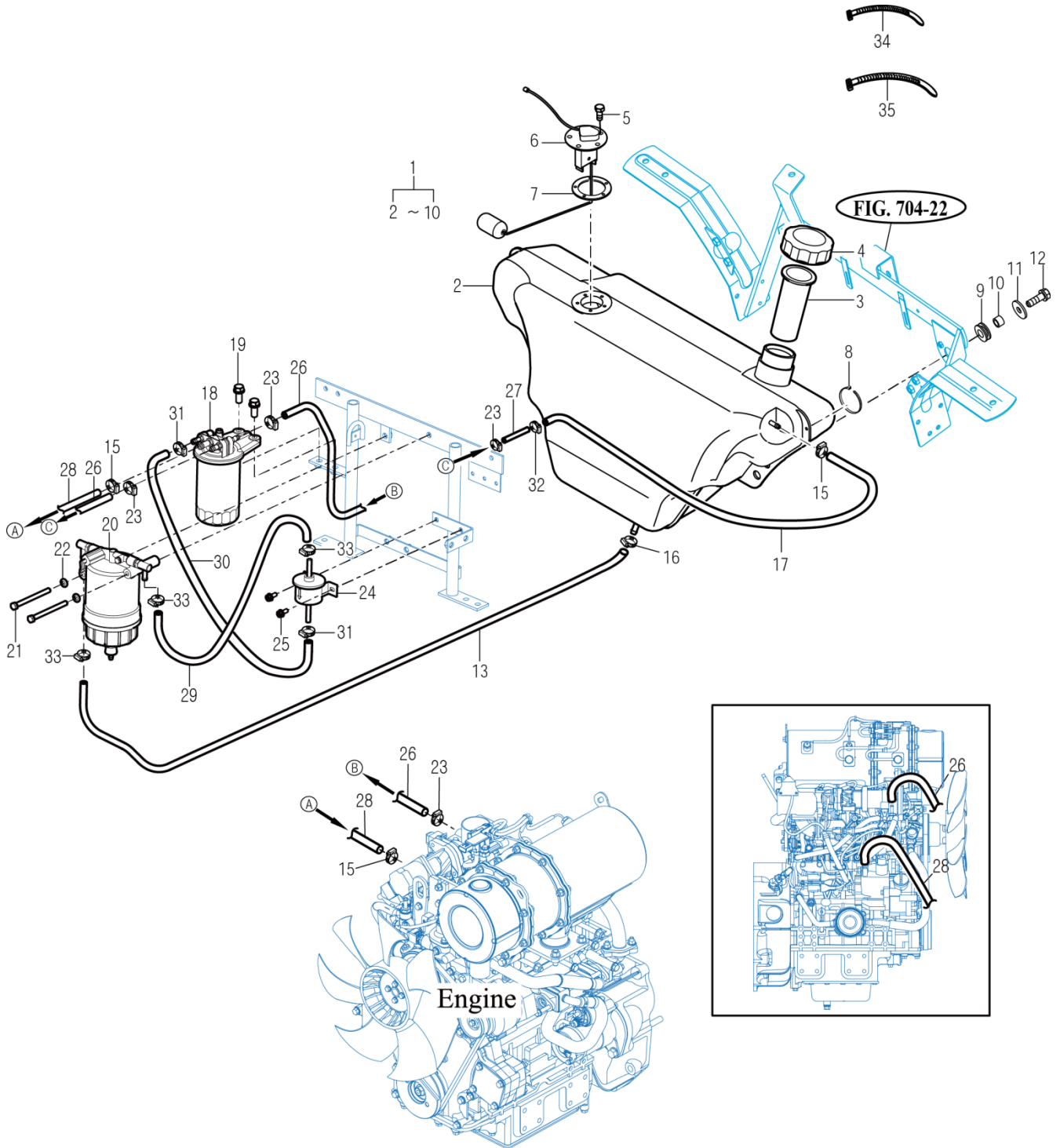
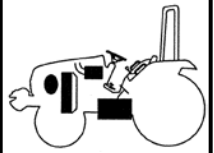
RK37S

FUEL TANK

P1

Year

2017



T354-E-204

NOTE

FIG 205

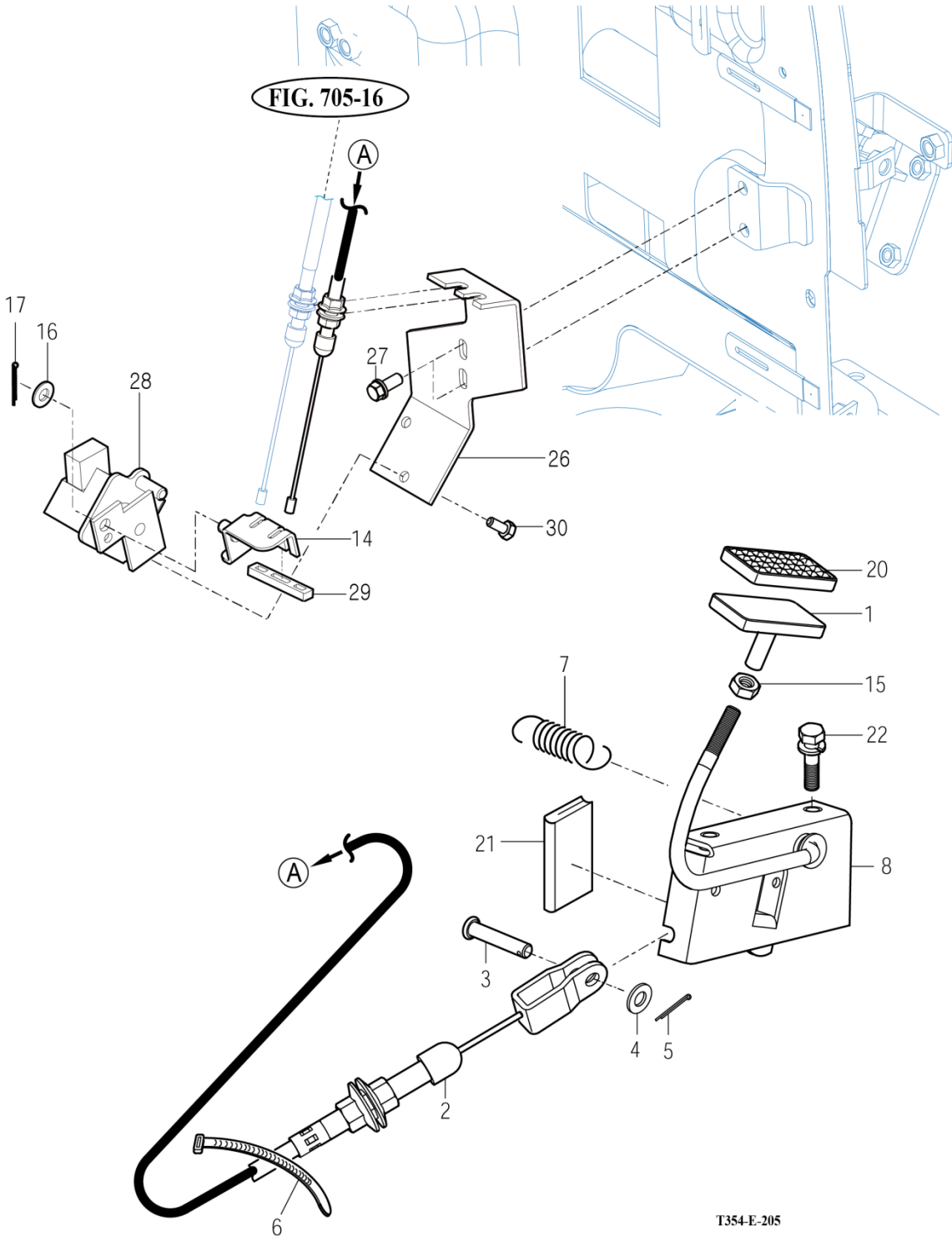
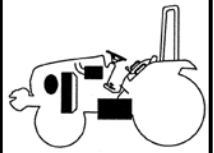
RK37S

ACCELERATOR

P1

Year

2017



T354-E-205

NOTE

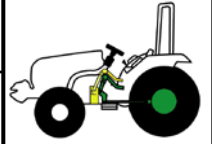
FIG 301

CLUTCH PEDAL

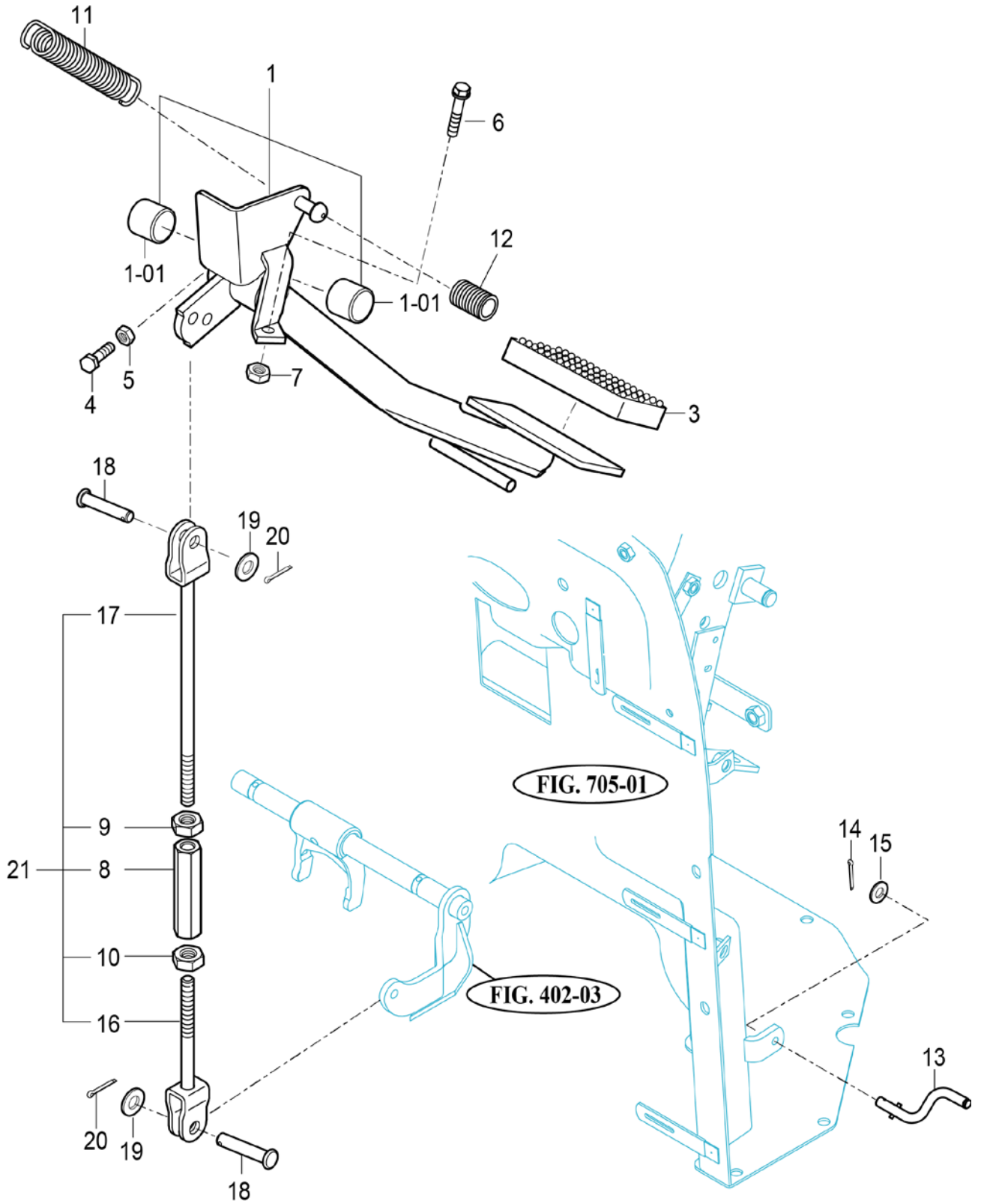
P1

Year

2017



RK37S



T303/353NC-E-301

NOTE

FIG 302

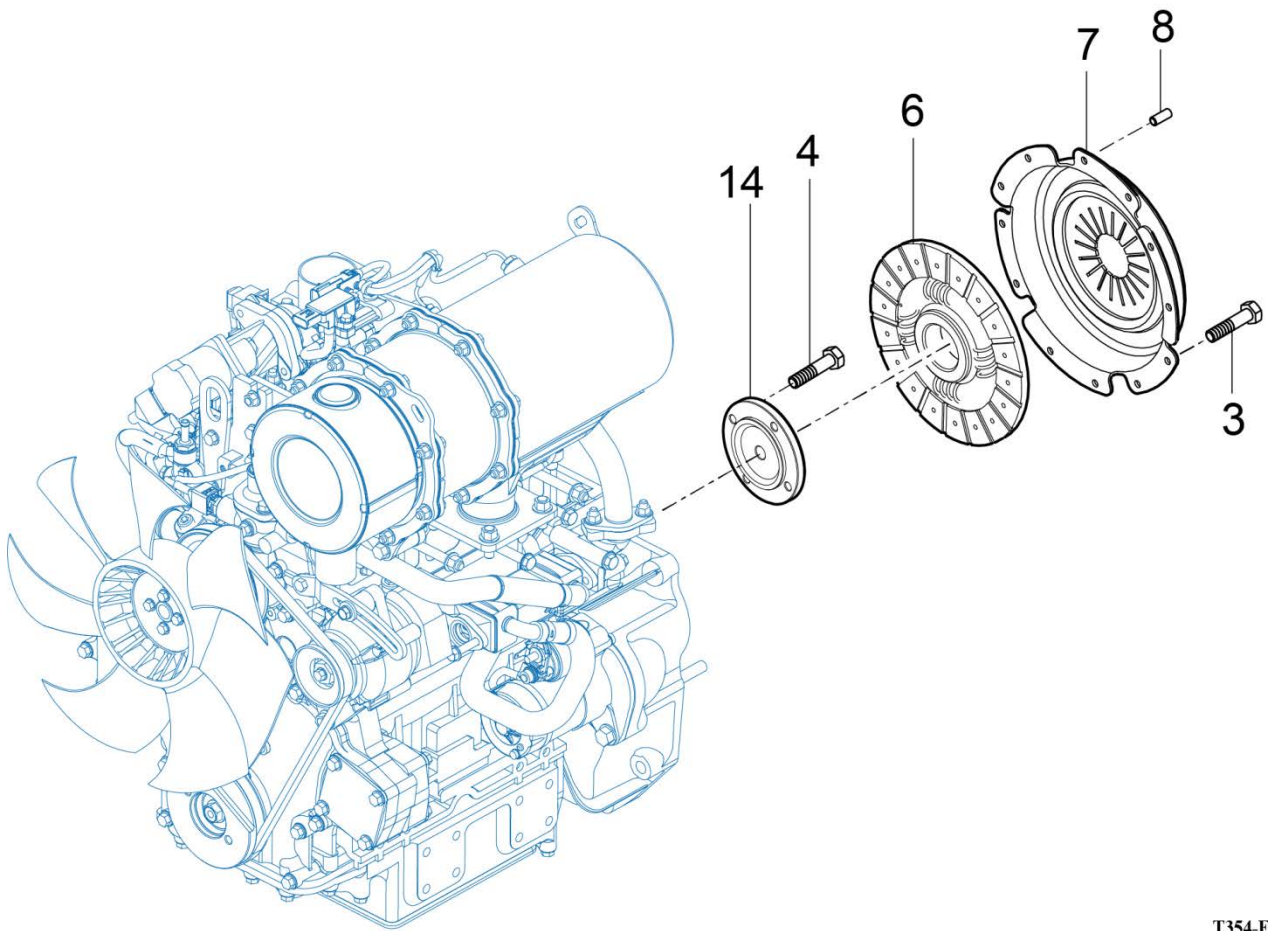
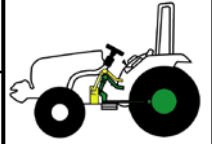
RK37S

FLYWHEEL & CLUTCH

P1

Year

2017



T354-E-302

NOTE

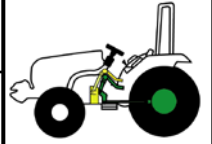
FIG 303

BRAKE PEDAL

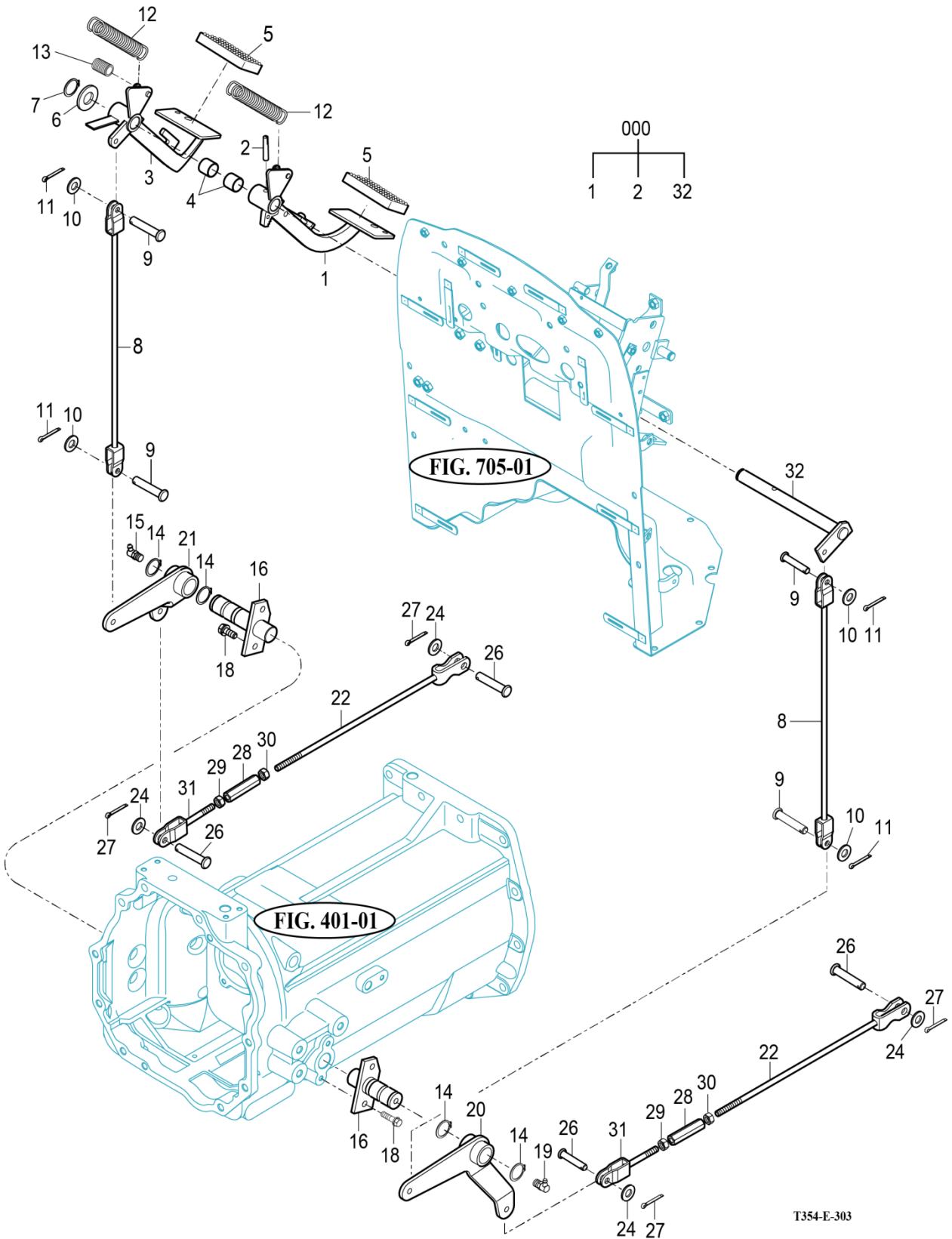
P1

Year

2017



RK37S



NOTE

T354-E-303

FIG 304

RK37S

BRAKE

P1

Year

2017

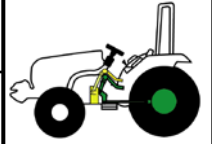
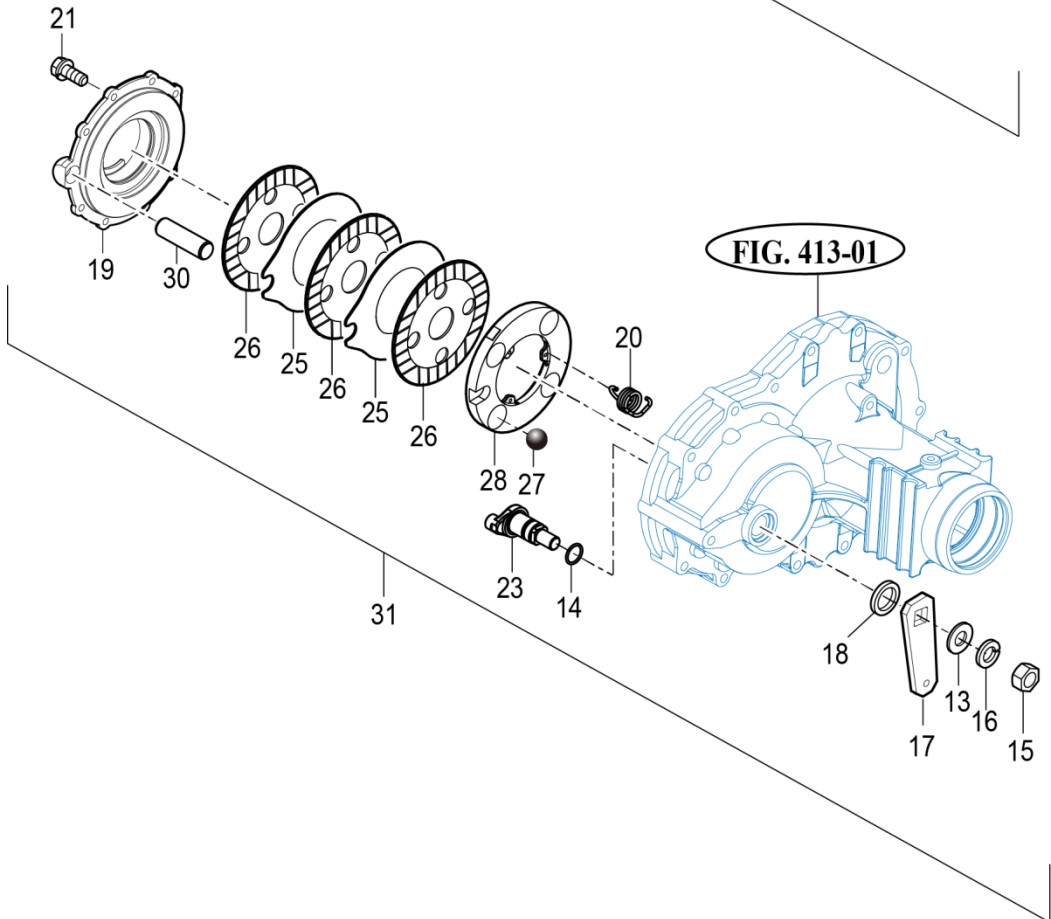
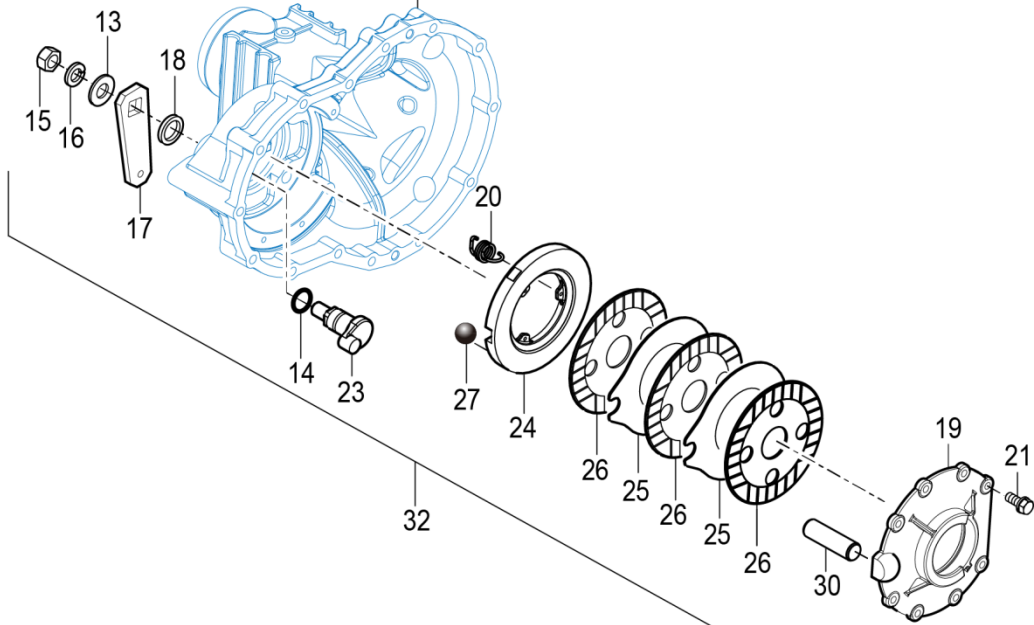


FIG. 413-01



NOTE

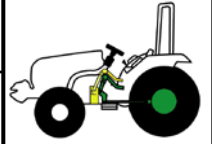
FIG 306

FRONT WHEEL MOUNTING

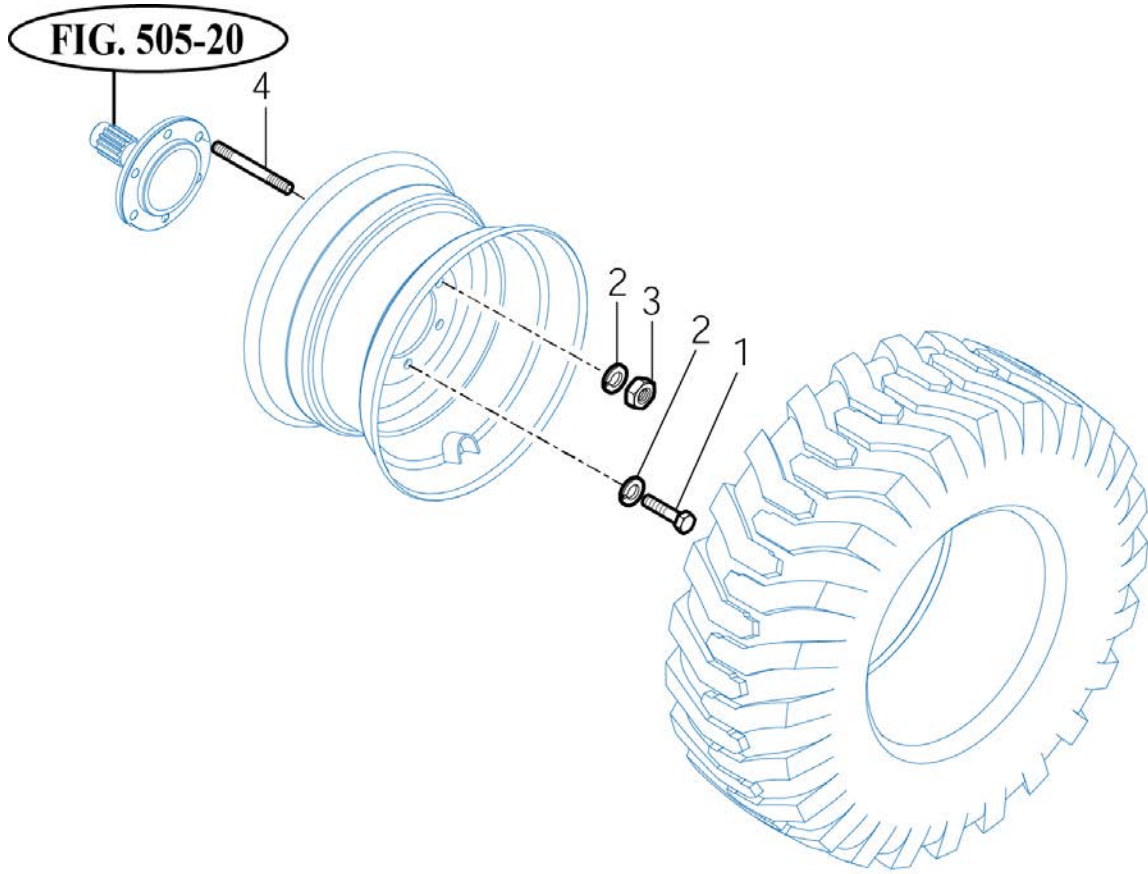
P1

Year

2017



RK37S



RK37-E-306

NOTE

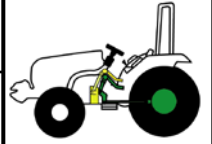
FIG 307

REAR WHEEL MOUNTING

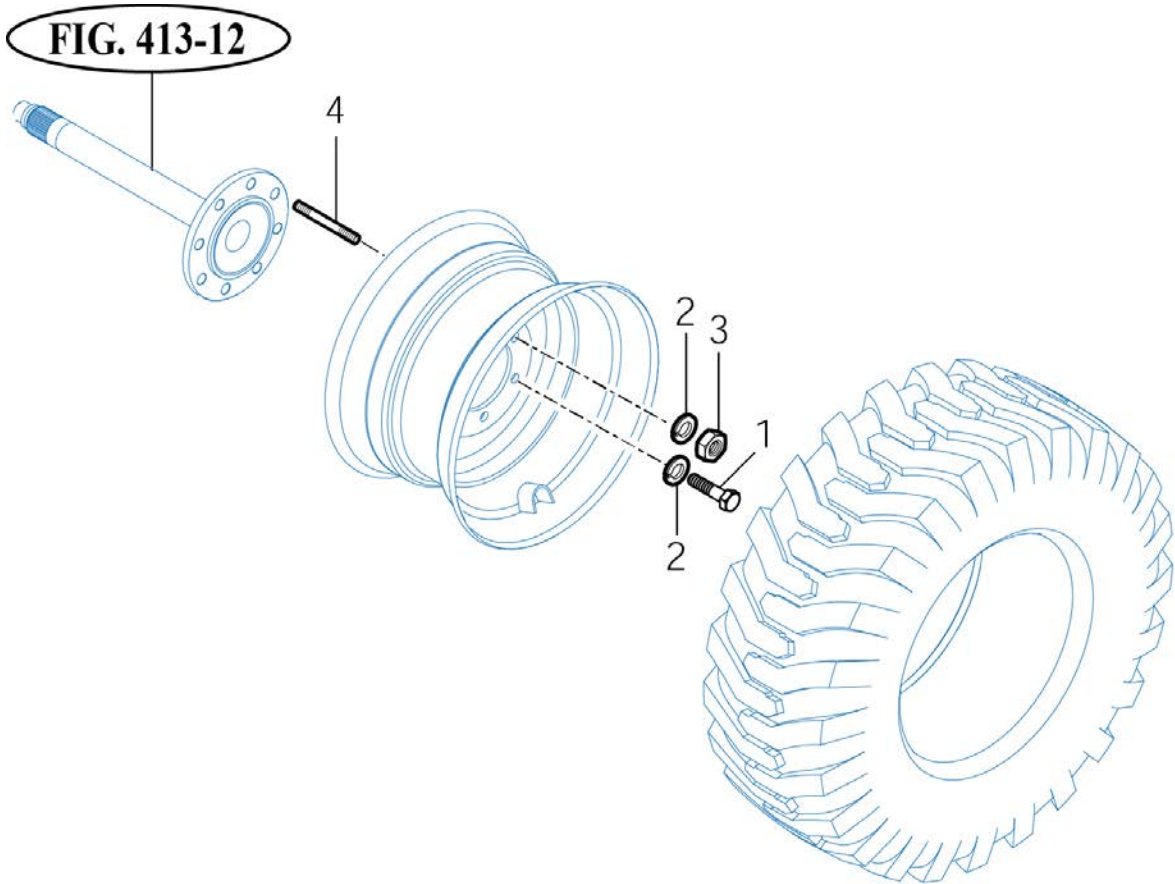
P1

Year

2017



RK37S



RK37-E-307

NOTE

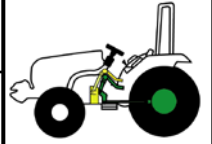
FIG 308

STEERING WHEEL

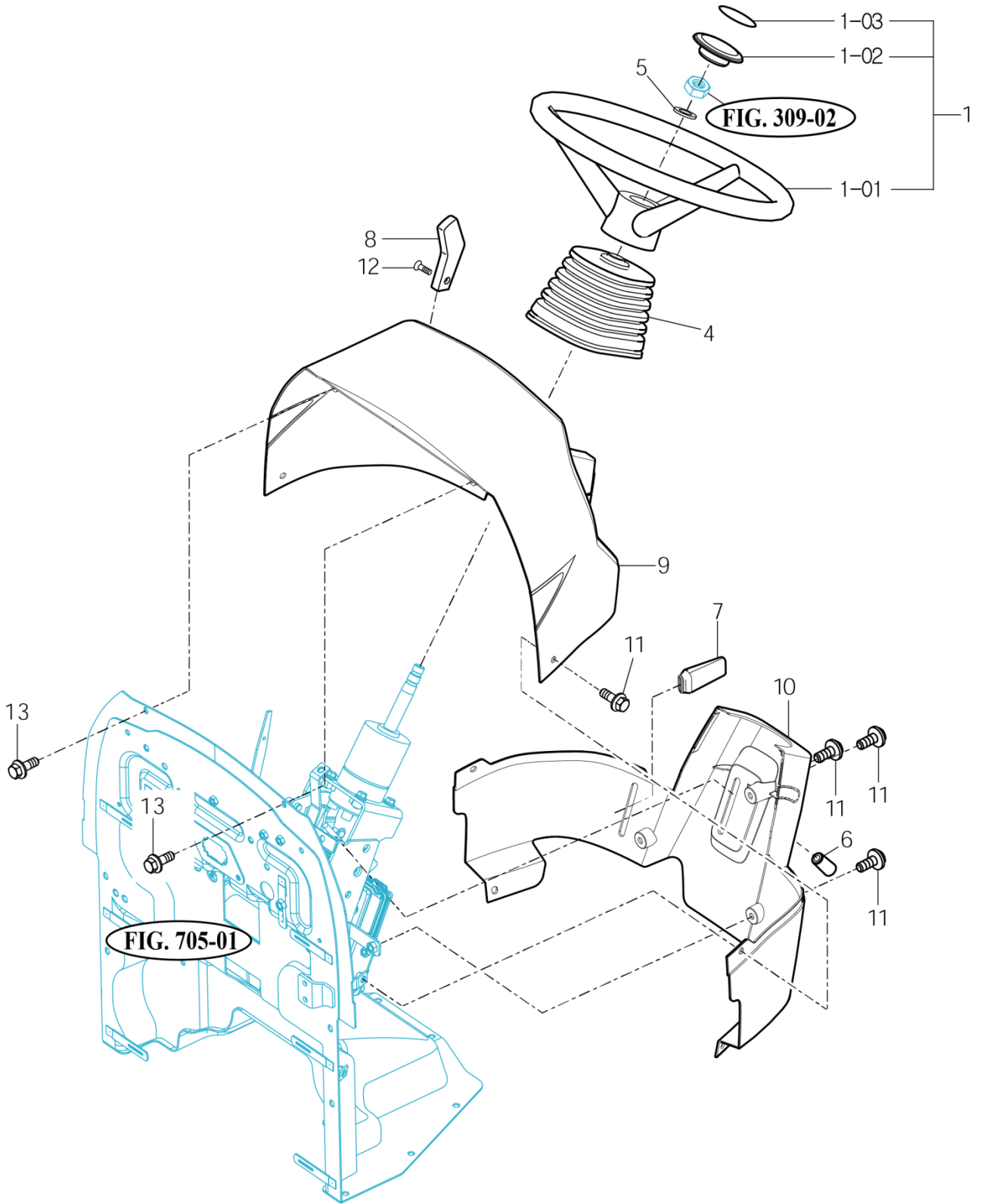
P1

Year

2017



RK37S



T354-E-308

NOTE

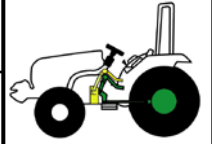
FIG 309

STEERING VALVE & TILT

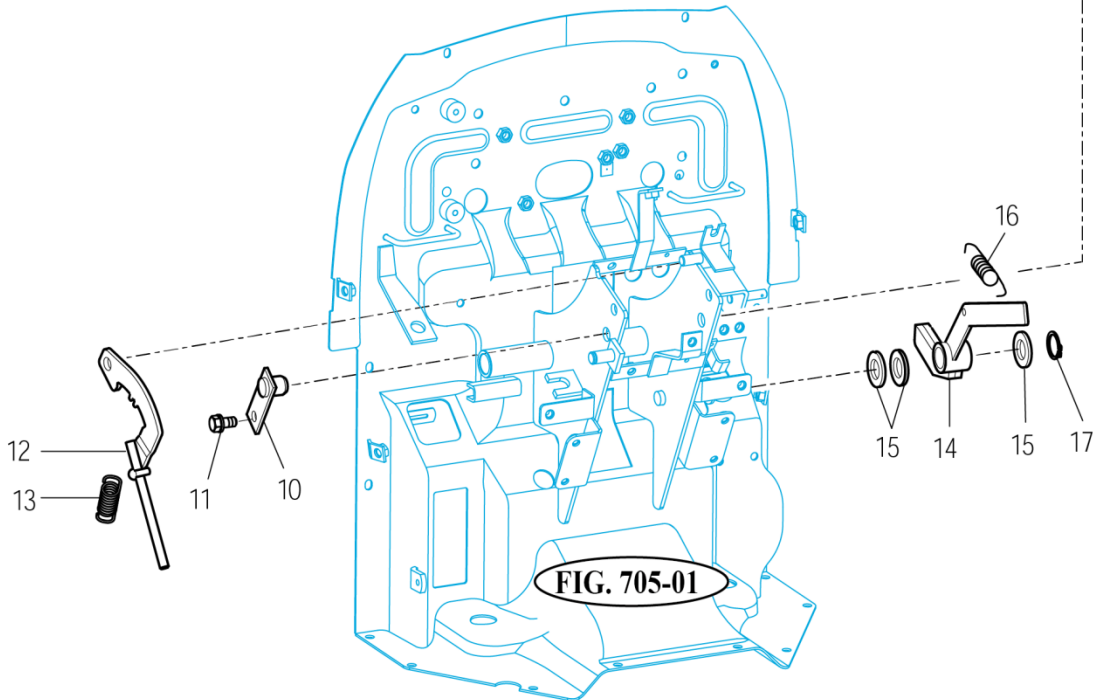
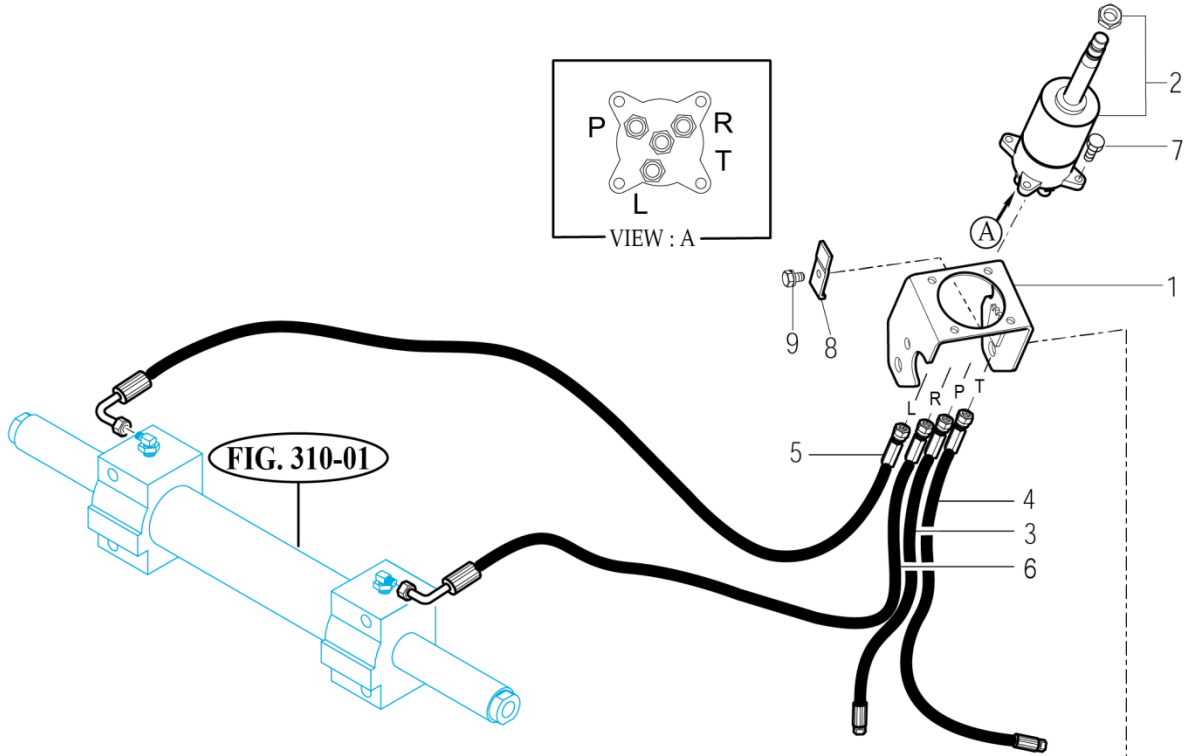
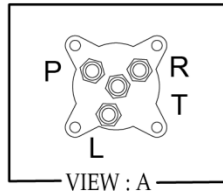
P1

Year

2017



RK37S



T354-E-309

NOTE

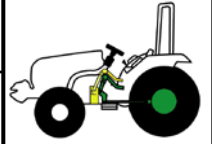
FIG 310

STEERING CYLINDER

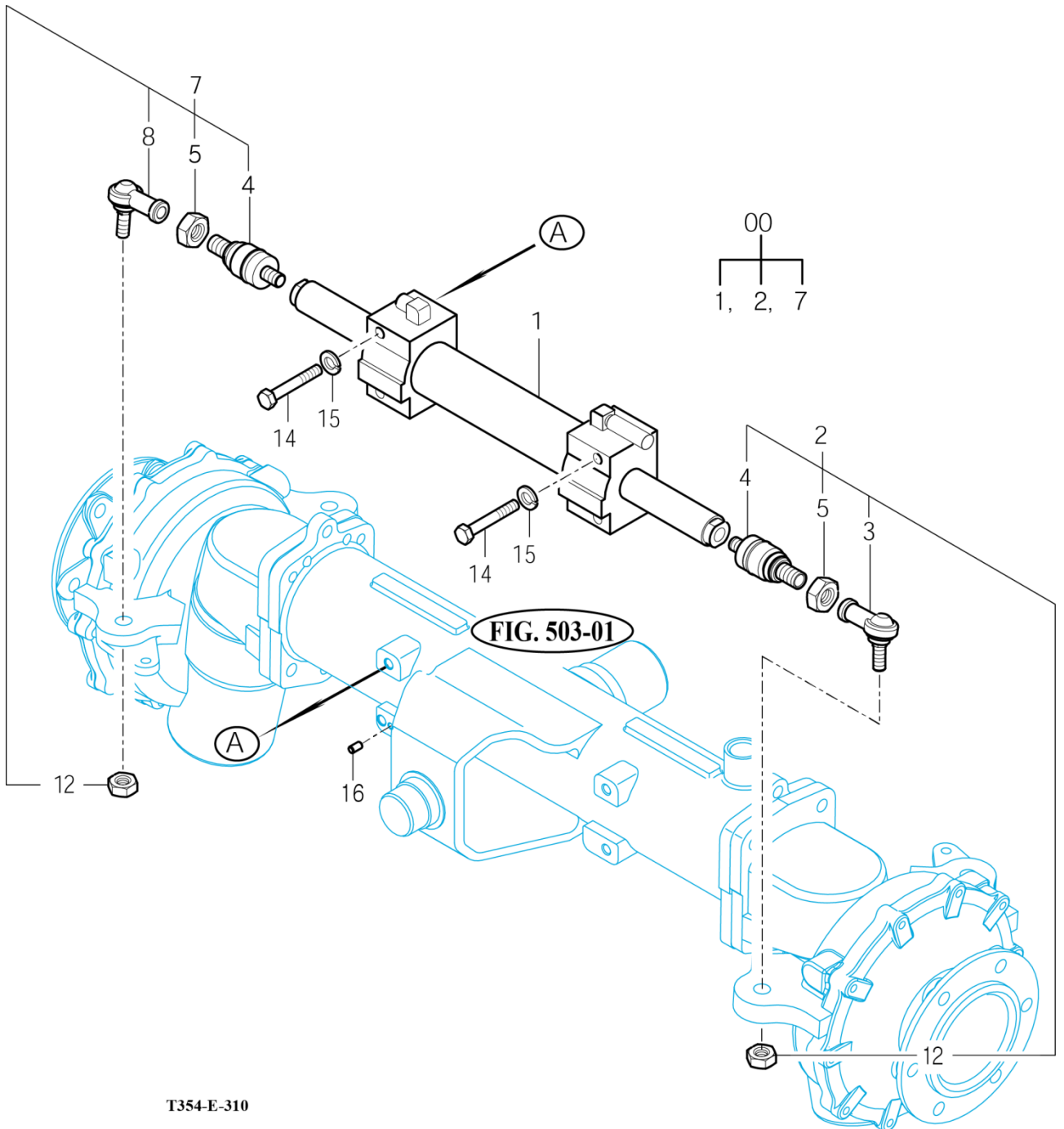
P1

Year

2017



RK37S



T354-E-310

NOTE

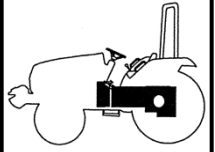
FIG 401

TRANSMISSION FRONT CASE

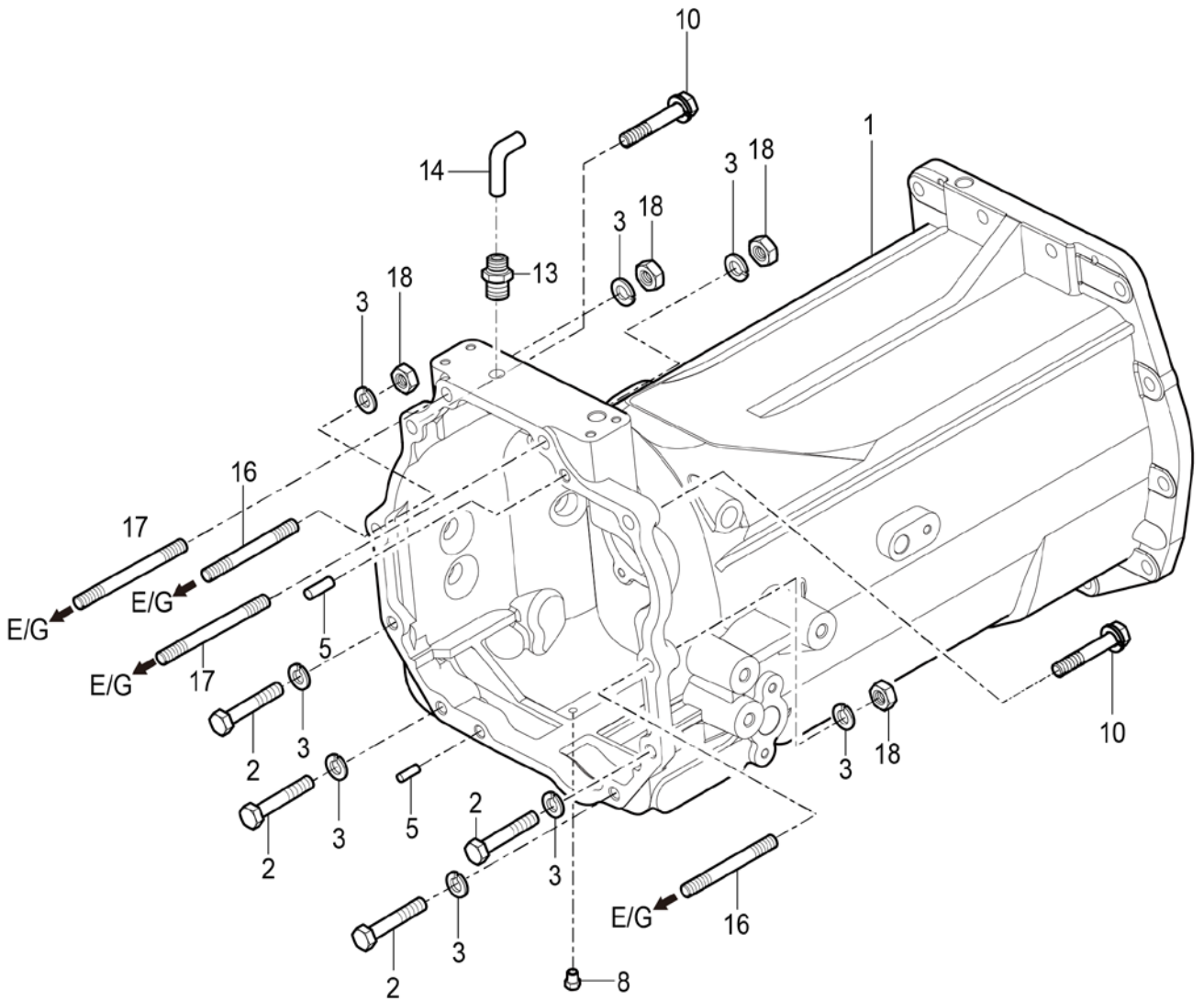
P1

Year

2017



RK37S



T345-E-401

NOTE

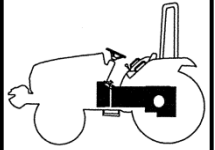
FIG 402

INPUT METAL

P1

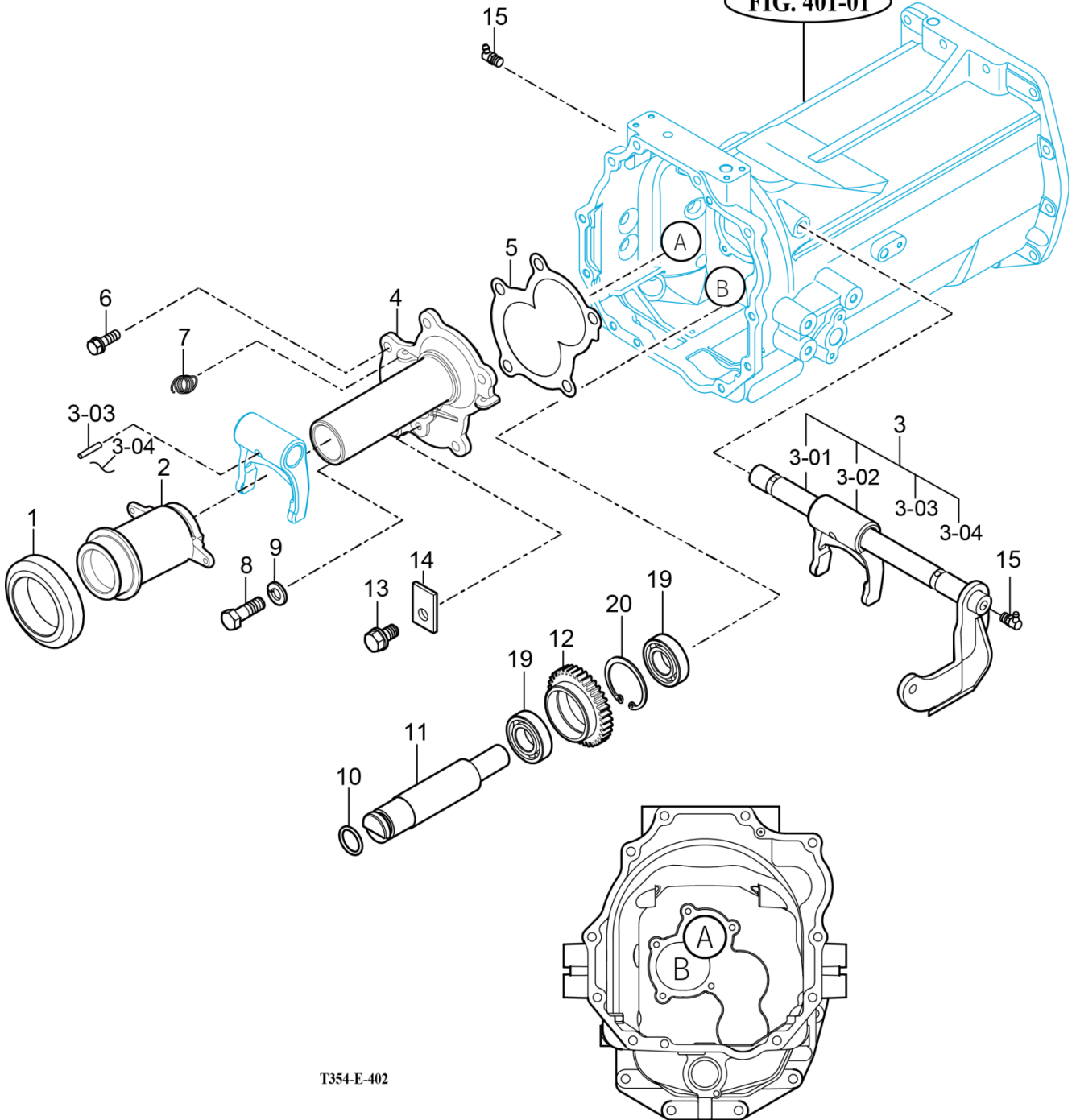
Year

2017



RK37S

FIG. 401-01



T354-E-402

NOTE

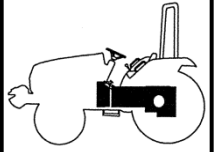
FIG 403

INPUT GEAR

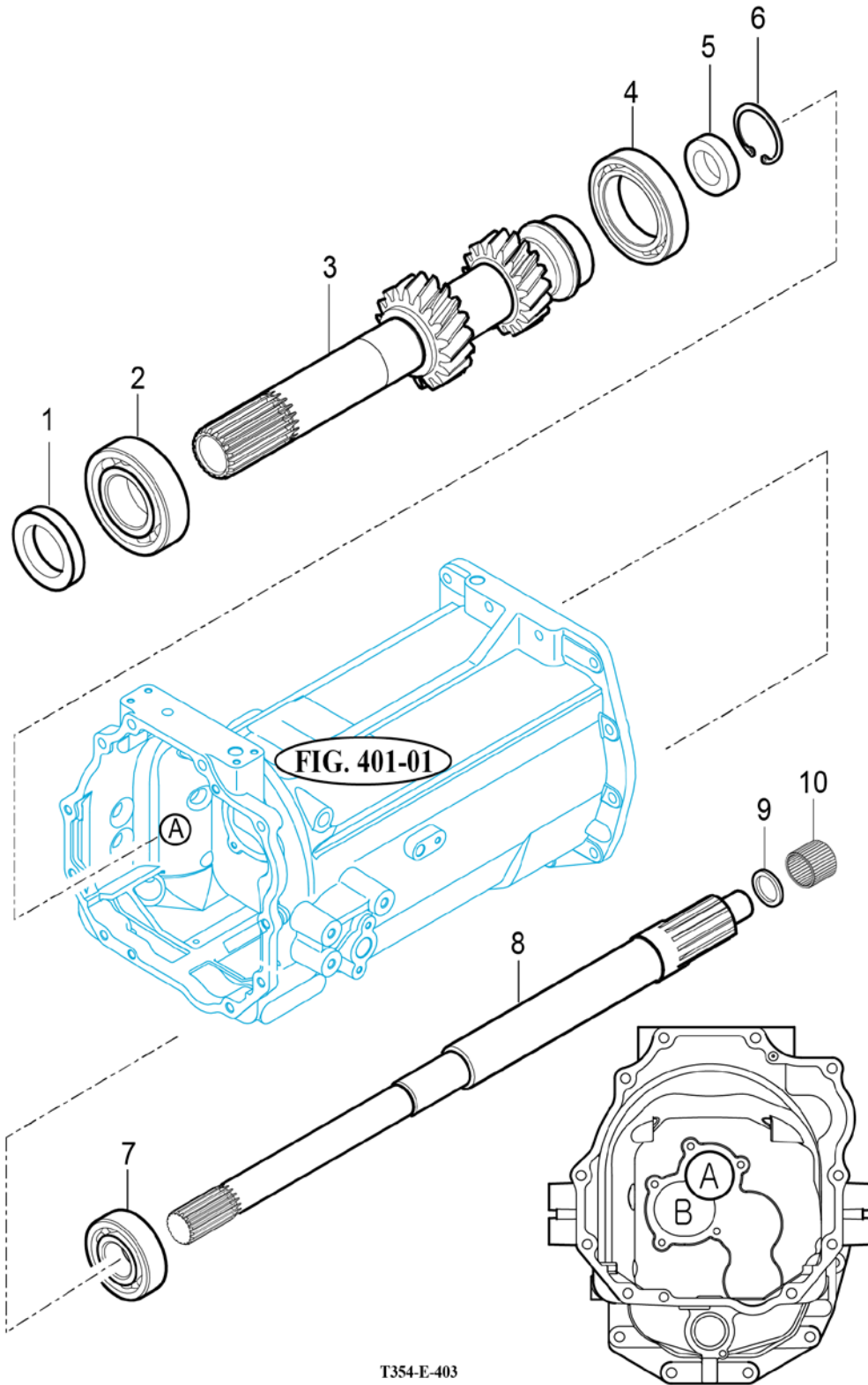
P1

Year

2017



RK37S



T354-E-403

NOTE

FIG 404

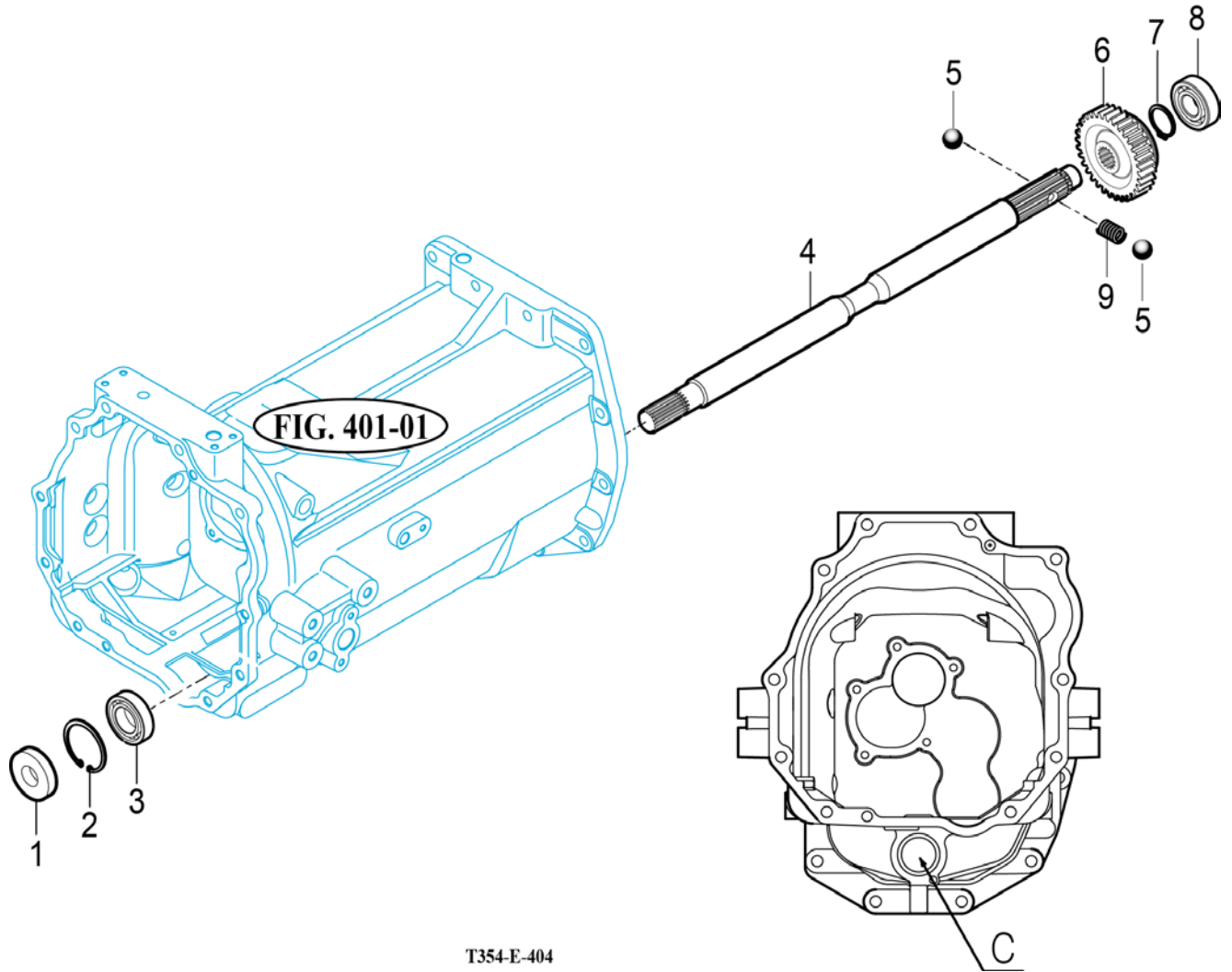
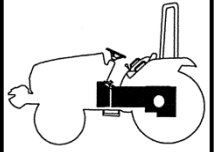
RK37S

4WD DRIVE GEAR

P1

Year

2017



NOTE

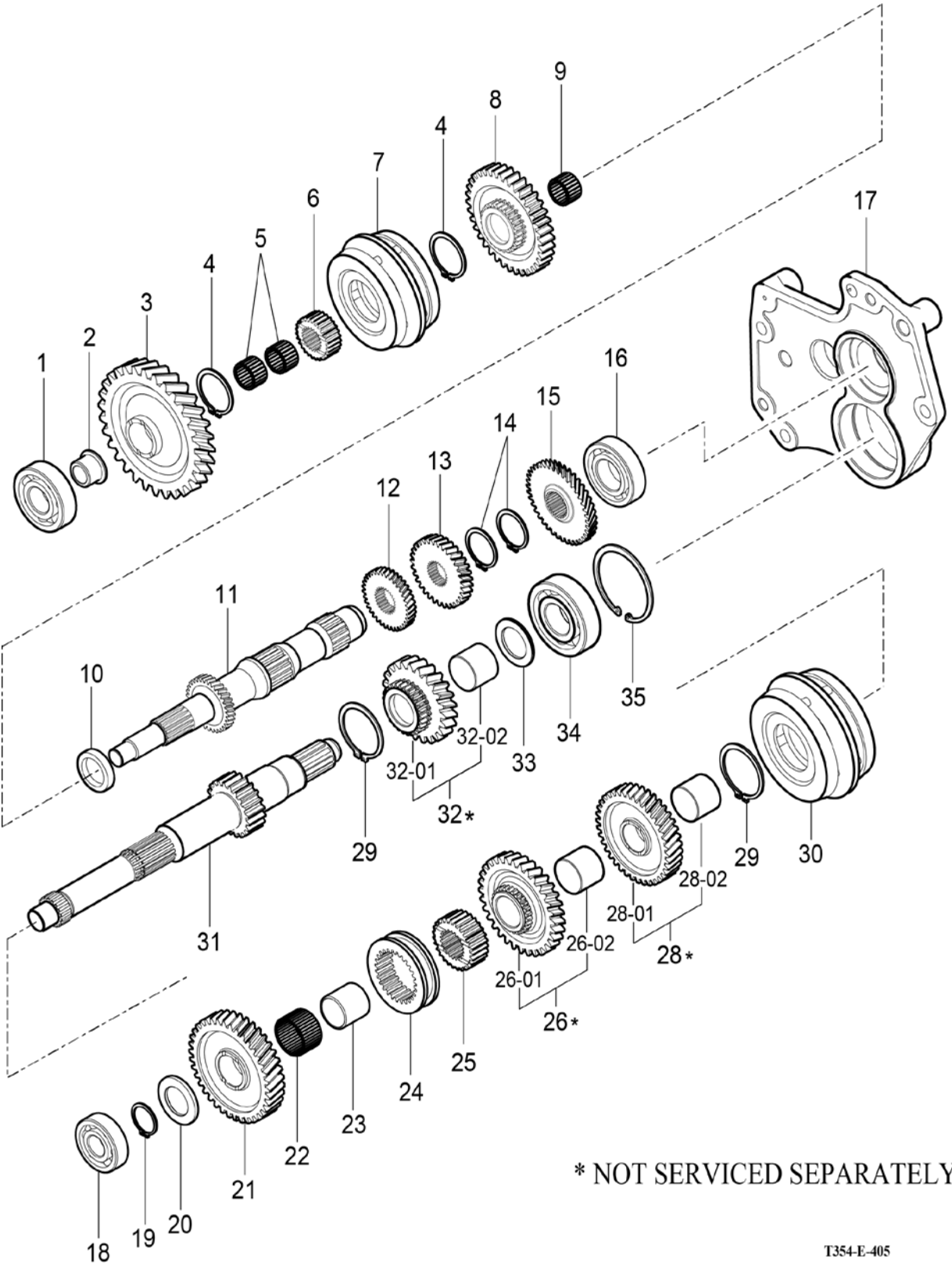
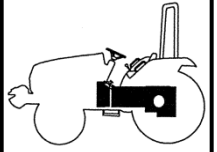
FIG 405

MAIN CHANGE GEARS & REVERSE GEARS

P1

Year

2017



* NOT SERVICED SEPARATELY

T354-E-405

NOTE

FIG 406

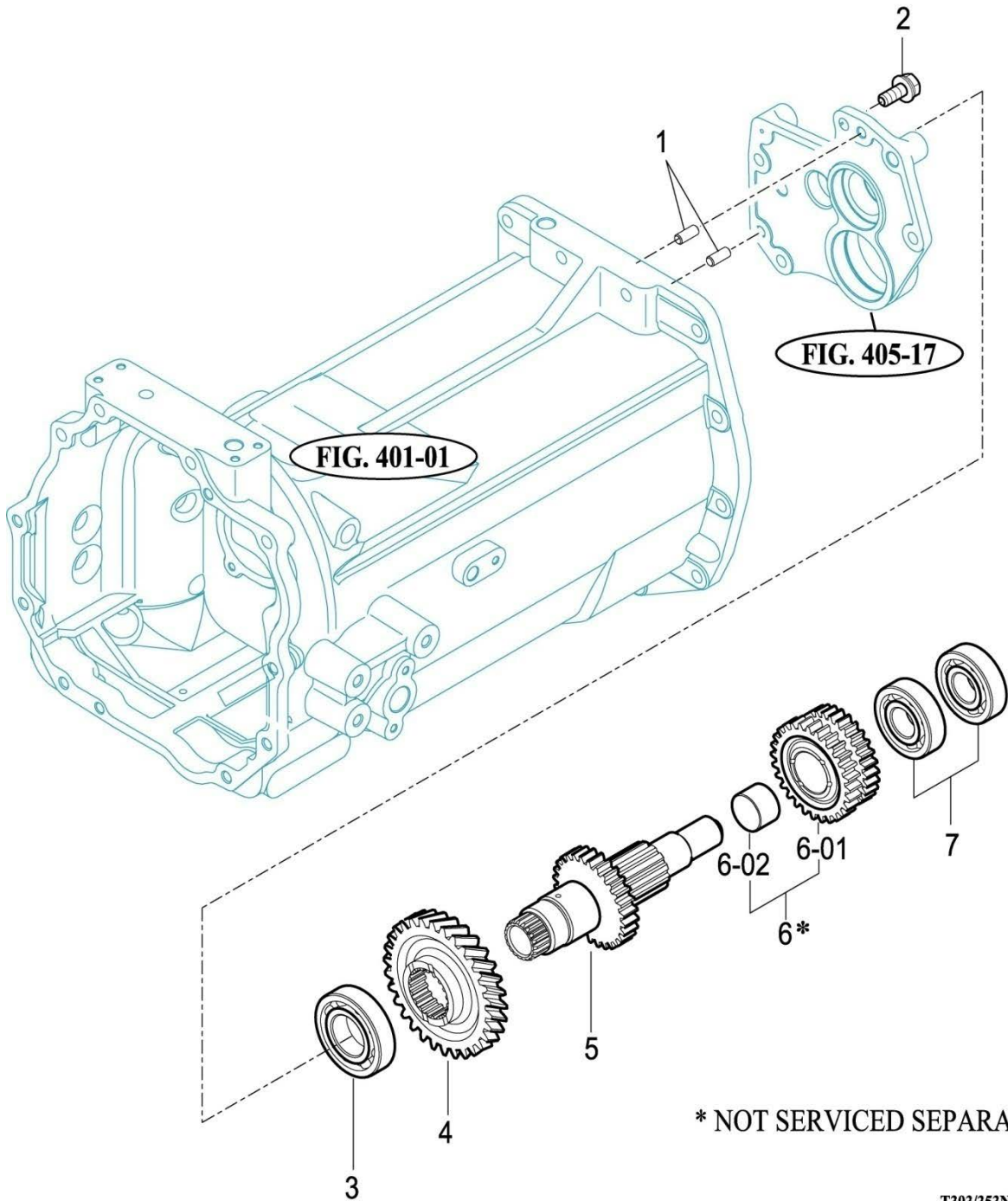
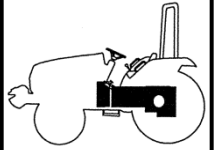
RK37S

SUB CHANGE GEARS

P1

Year

2017



* NOT SERVICED SEPARATELY

T303/353NC-E-406

NOTE

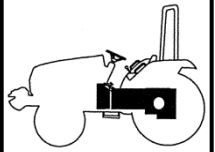
FIG 407

PINION GEARS

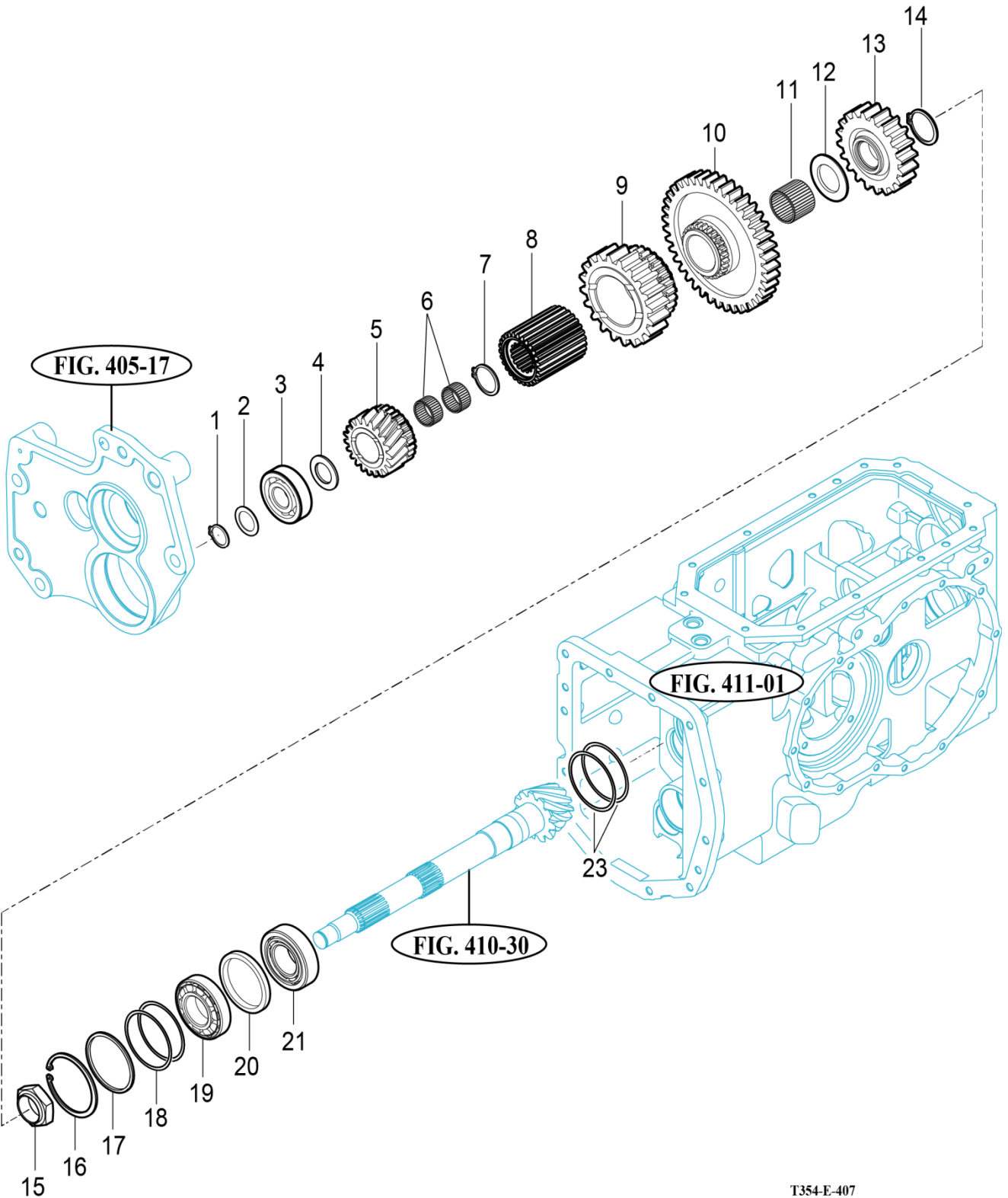
P1

Year

2017



RK37S



T354-E-407

NOTE

FIG 408

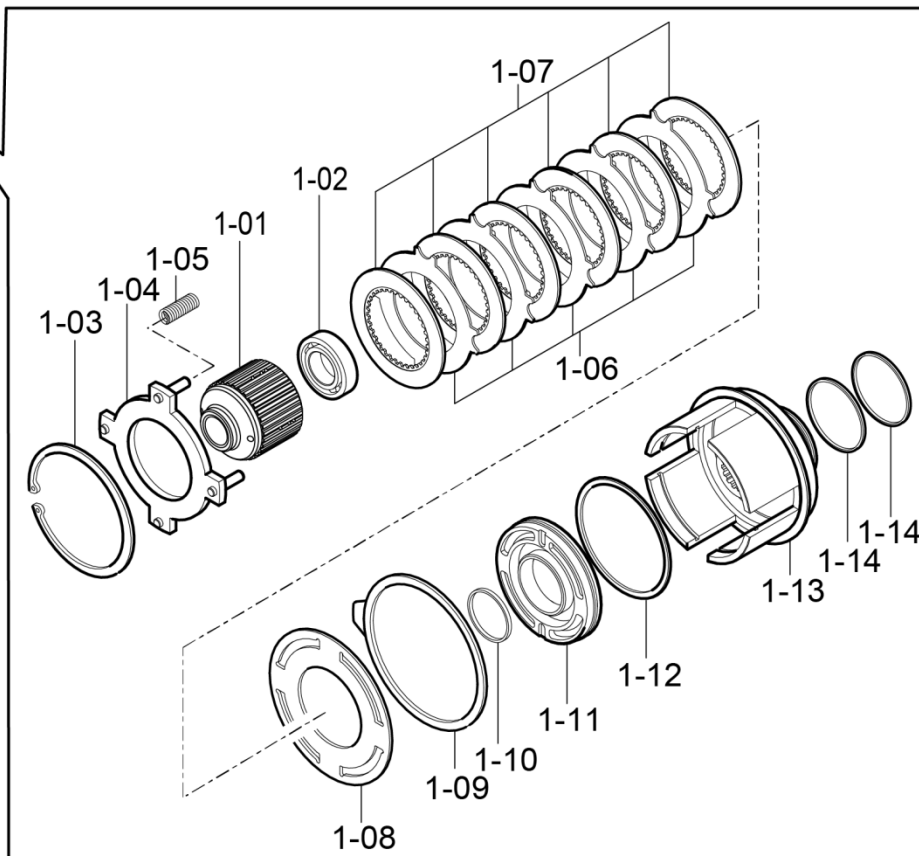
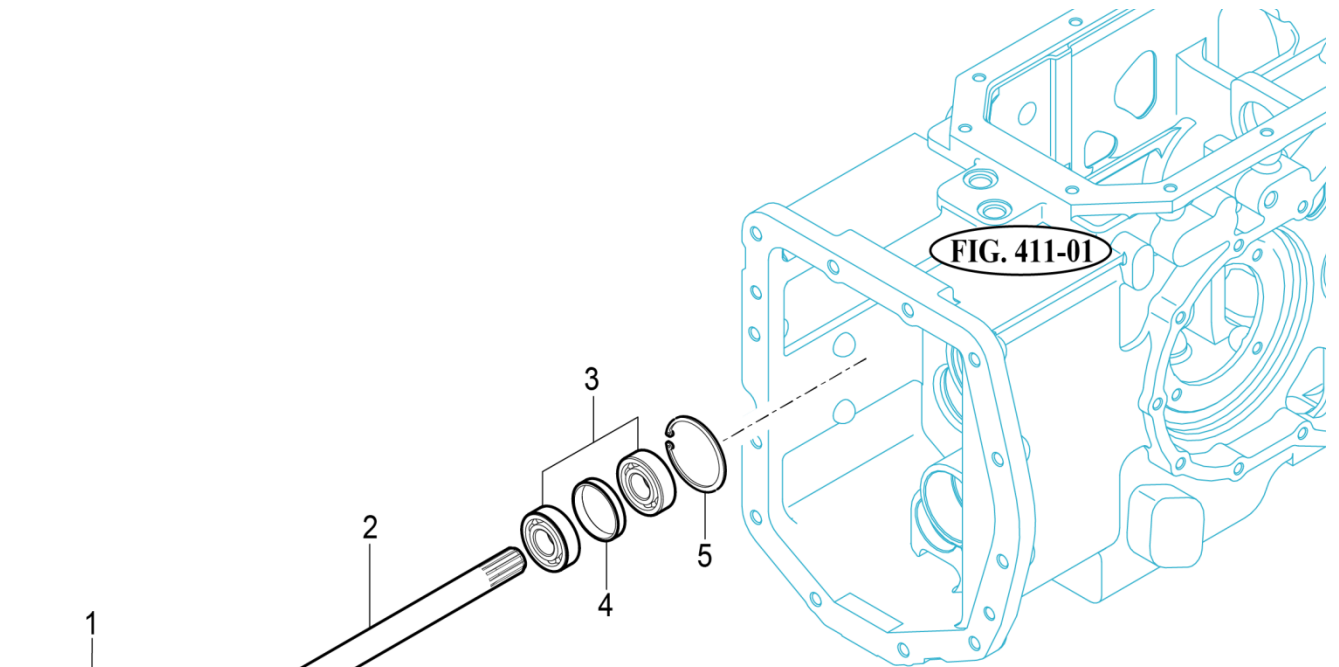
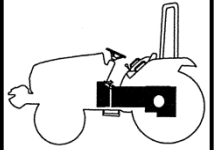
RK37S

P.T.O DRIVE SHAFT

P1

Year

2017



T354-E-408

NOTE

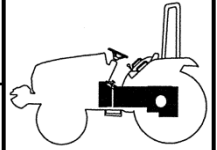
FIG 409

P.T.O. CHANGE GEARS

P1

Year

2017



RK37S

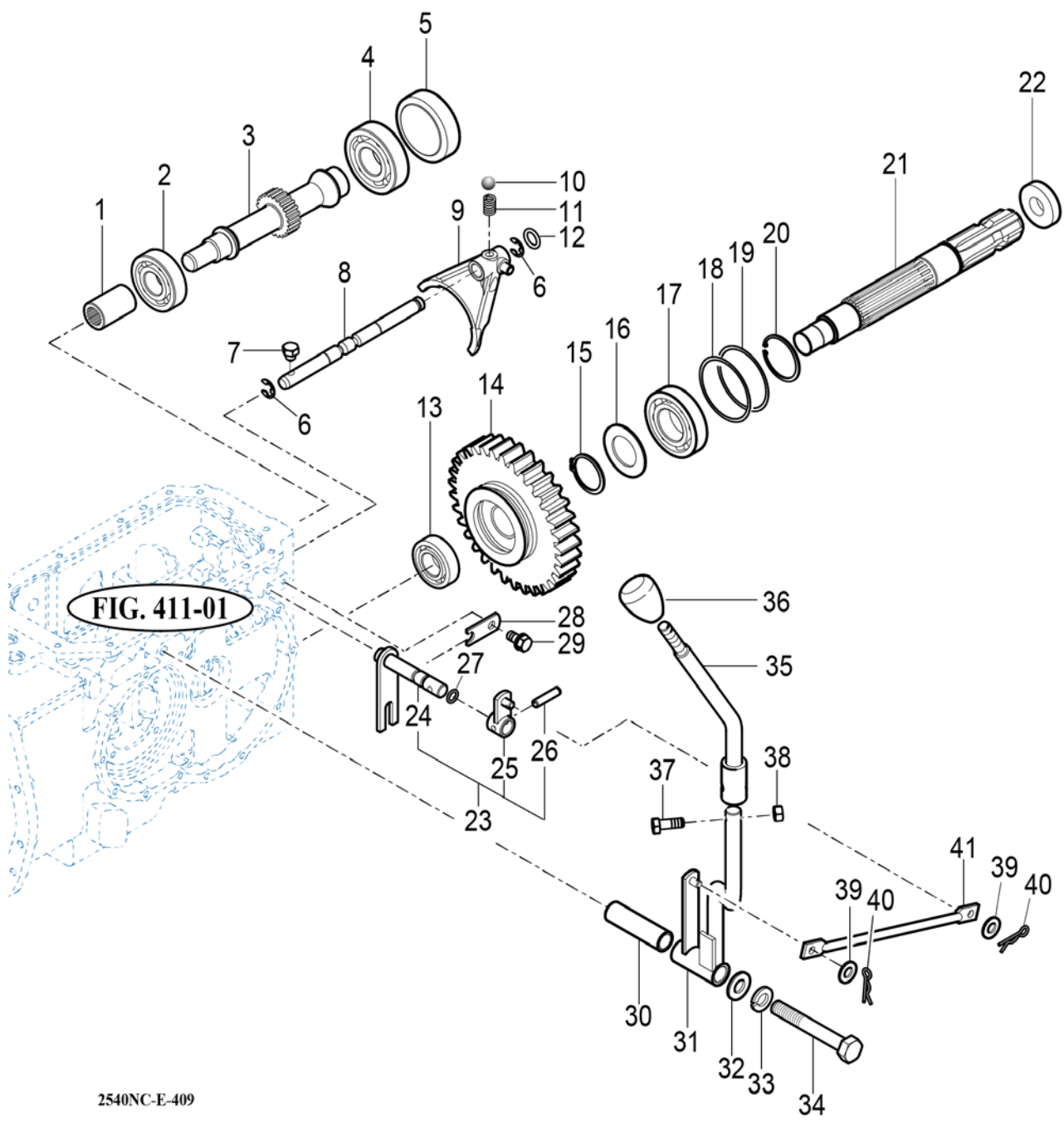


FIG. 411-01

2540NC-E-409

NOTE

FIG 409 RK37S	P.T.O CHANGE GEARS	P1	Year	
			2017	

KEY NO.	PART NO.	DESCRIPTION	SPEC.	QTY.	REPAIR	EFFECTIVE DATE	REMARKS
409 001	14211340190	COUPLING		1			
409 002	V6001106305	BEARING , BALL/HL1	6305	1			
409 003	13212543530	GEAR , SPUR PTO 11		1			
409 004	V6001106306	BEARING , BALL/HL1	6306	1			
409 005	14254330180	CAP , 72		1			
409 006	V7081400100	E-RING	Ø10	2			
409 007	15602231610	BOLT , SET M8X16		1			
409 008	13212540020	STAY , PTO SHIFT		1			
409 009	16702540011M	FORK , PTO		1			
409 010	V6802000010	BALL , STEEL	5/16	1			
409 011	13022250030	SPRING , SHIFTER		1			
409 012	V7201024010	O-RING , P	P10	1			
409 013	V6001106205	BEARING , BALL/HL1	6205	1			
409 014	13212543500	GEAR ,SPUR(PTO 54T)		1			
409 015	V7041400350	C-RING , SHAFT	Ø35	1			
409 016	14443140041	COLLAR , 35X50X2		1			
409 017	V6001106207	BEARING , BALL	6207	1			
409 018	79642010080	SHIM , B		2			
409 019	16322730030	SHIM , 0.5		1			
409 020	V7051400720	C-RING , HOLE	Ø72	1			
409 021	16703140011	SHAFT , PTO		1			
409 022	16322732000	SEAL ASSY , OIL		1			
409 023	16702555102	HOOK SET , RR PTO		1			
409 024	16702542102	HOOK COMP , RR PTO		1			
409 025	16702432201	ARM COMP , RANGE		1			
409 026	V5801406025	PIN , SPRING	6X25	1			
409 027	V7201024012	O-RING , P	P12	1			
409 028	16702230371	PLATE		1			
409 029	V2173608016	BOLT , HEX/S	M8X16	1			
409 030	16702440070	HIB(13*17*61)		1			
409 031	16702552102	LEVER COMP , PTO/DOWN		1			
409 032	V4111600120	WASHER , PLAIN	M12	1			
409 033	V4011600120	WASHER , SPRING	M12	1			
409 034	V2013612085	BOLT , HEX	M12X85	1			
409 035	16702552201GB	LEVER COMP ,PTO(UP)		1		~2019.02.25	
409 035	16702552202GB	LEVER COMP ,PTO(UP)		1		2019.02.26~	
409 036	15442190050	GRIP , LEVER 12		1			
409 037	V2013608035	BOLT , HEX		1			
409 038	V3042600080	NUT , HEX/2	M8	1			
409 039	V4111600080	WASHER , PLAIN	M8	2			
409 040	V5601600008	PIN , SNAP	8	2			
409 041	16702553100	ROD , 236		1			

NOTE

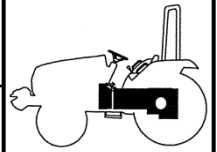
FIG 410

DIFF LOCK

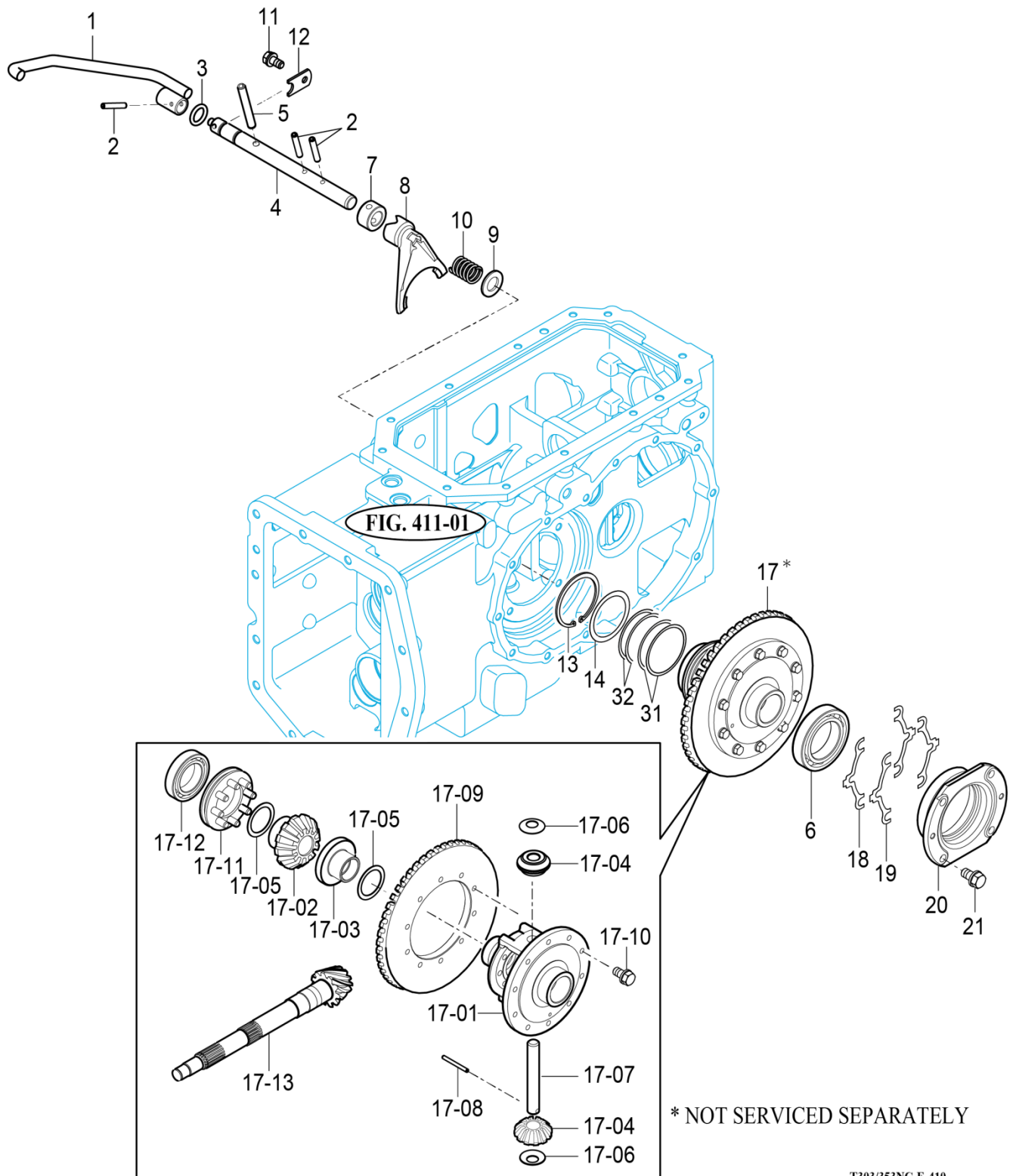
P1

Year

2017



RK37S



T303/353NC-E-410

NOTE

FIG 410 RK37S	DIFF LOCK				P1	Year	
						2017	

KEY NO.	PART NO.	DESCRIPTION	SPEC.	QTY.	REPAIR	EFFECTIVE DATE	REMARKS
410	001	16703192205		1			
410	002	V5801406032		3			
410	003	V7201024016		1	B		
410	004	13003180151		1		~2017.03.27	
410	004	13003180152		1		2017.03.28~	
410	005	V5801408060		1			
410	006	V6041106011		1			
410	007	16703180161		1			
410	008	16703180021M		1		~2017.03.27	
410	008	16703180022M		1		2017.03.28~	
410	009	V4111600200		1			
410	010	17973030420		1			
410	011	V2173608016		1			
410	012	16703180191		1			
410	013	V7051400750		1			
410	014	16703180511		1			
410	015	16703180080		6			
410	016	16703180090		2			
410	017	13003000000		1		~2017.04.30	
410	017	12633000000		1		2017.05.01~2018.02.28	
410	017	12633000001		1		2018.03.01~2019.01.01	
410	017	12633000002		1		2019.01.02~	
410	01701	13003180010M		1		~2017.04.30	
410	01701	13003180011M		1		2017.05.01~2018.02.28	
410	01701	13003180012M		1		2018.03.01~2019.01.01	
410	01701	13003180013M		1		2019.01.02~	
410	01702	13003180060		1			
410	01703	13003180030		1		~2019.01.01	
410	01703	13003180031		1		2019.01.02~	
410	01704	13003180040		2			
410	01705	16703180521		2			
410	01706	13003180200		2			
410	01707	13003180070		1			
410	01708	V5801405036		1			
410	01709	16703002020		1			
410	01710	V2173608020		10		~2018.11.13	
410	01710	V2173608025		10		2018.11.14~	
410	01711	13003181200		1		~2018.02.28	
410	01711	13003181201		1		2018.03.01~2019.01.01	
410	01711	13003181202		1		2019.01.02~	
410	01712	V6041106009		1			
410	01713	16703002012		1			
410	018	16703180181		2			
410	019	16703180171		2			
410	020	16703180052M		1			
410	021	V2173610025		4			

NOTE	
-------------	--

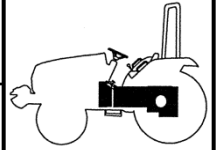
FIG 411

TRANSMISSION REAR CASE

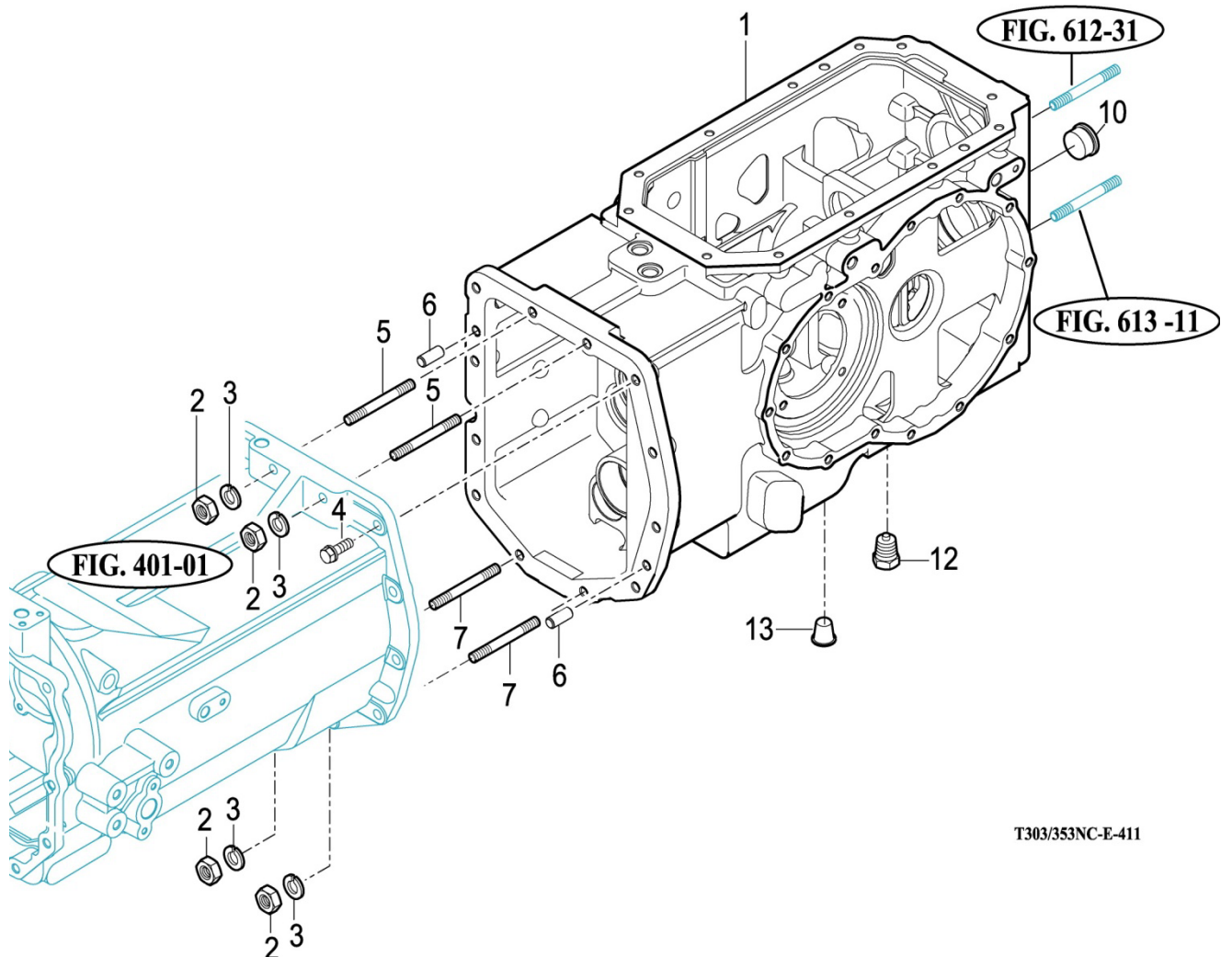
P1

Year

2017



RK37S



T303/353NC-E-411

NOTE

FIG 412

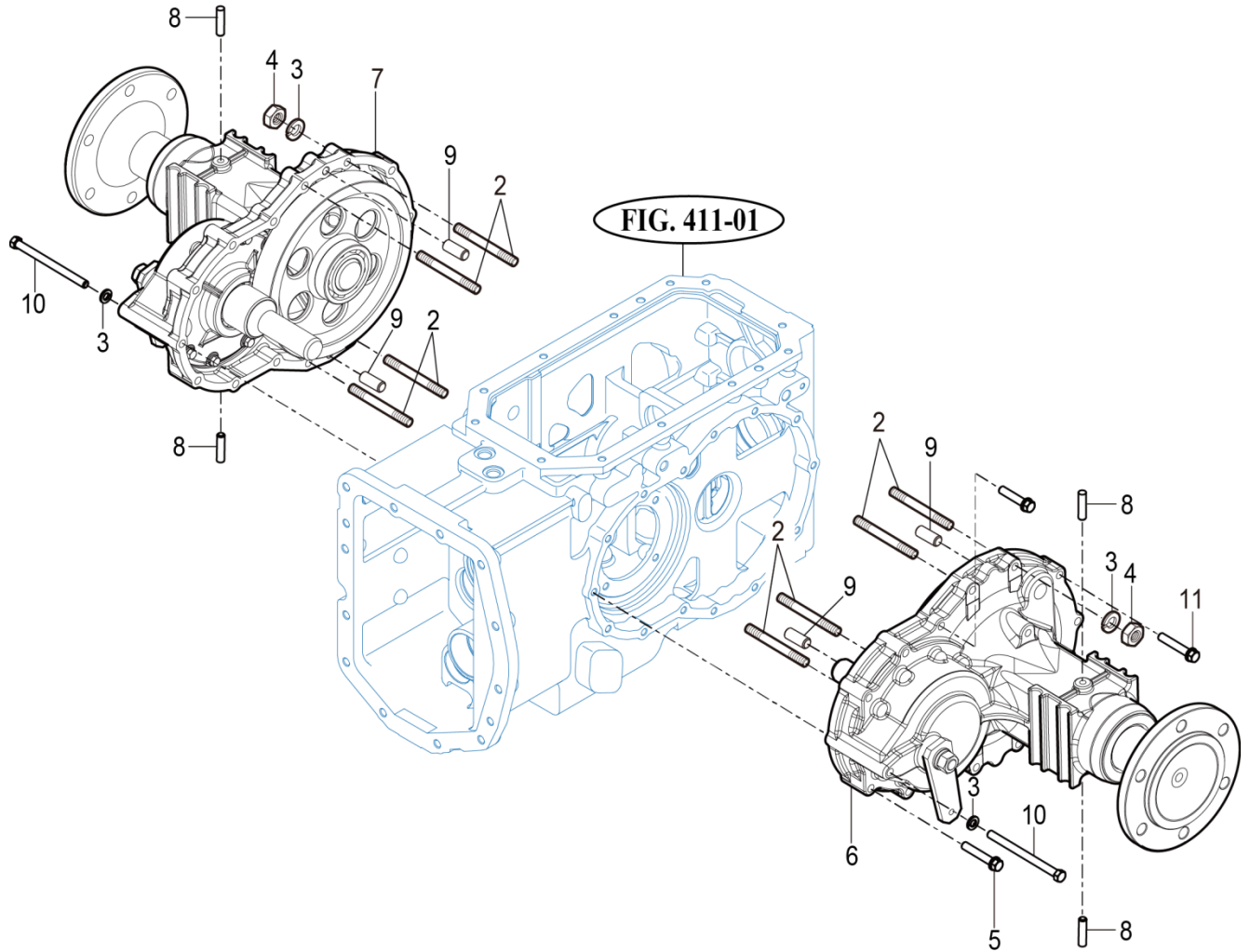
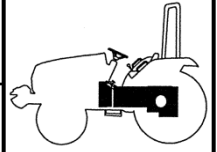
RK37S

REAR AXLE HOUSINGS (1)

P1

Year

2017



2545ST-E-412

NOTE

FIG 413

REAR AXLE HOUSINGS (2)

P1

Year

2017

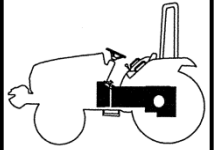
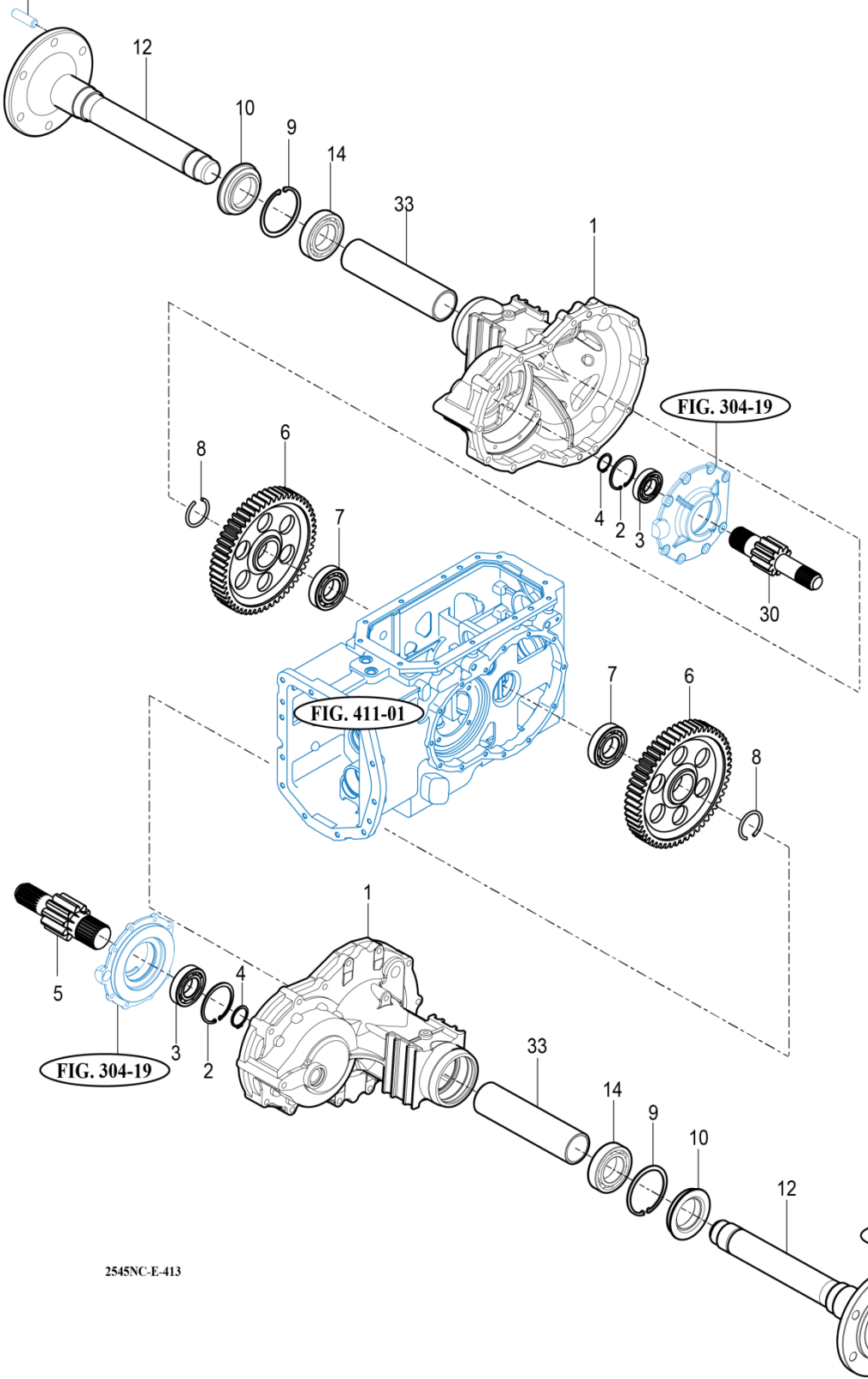


FIG. 307-04



2545NC-E-413

NOTE

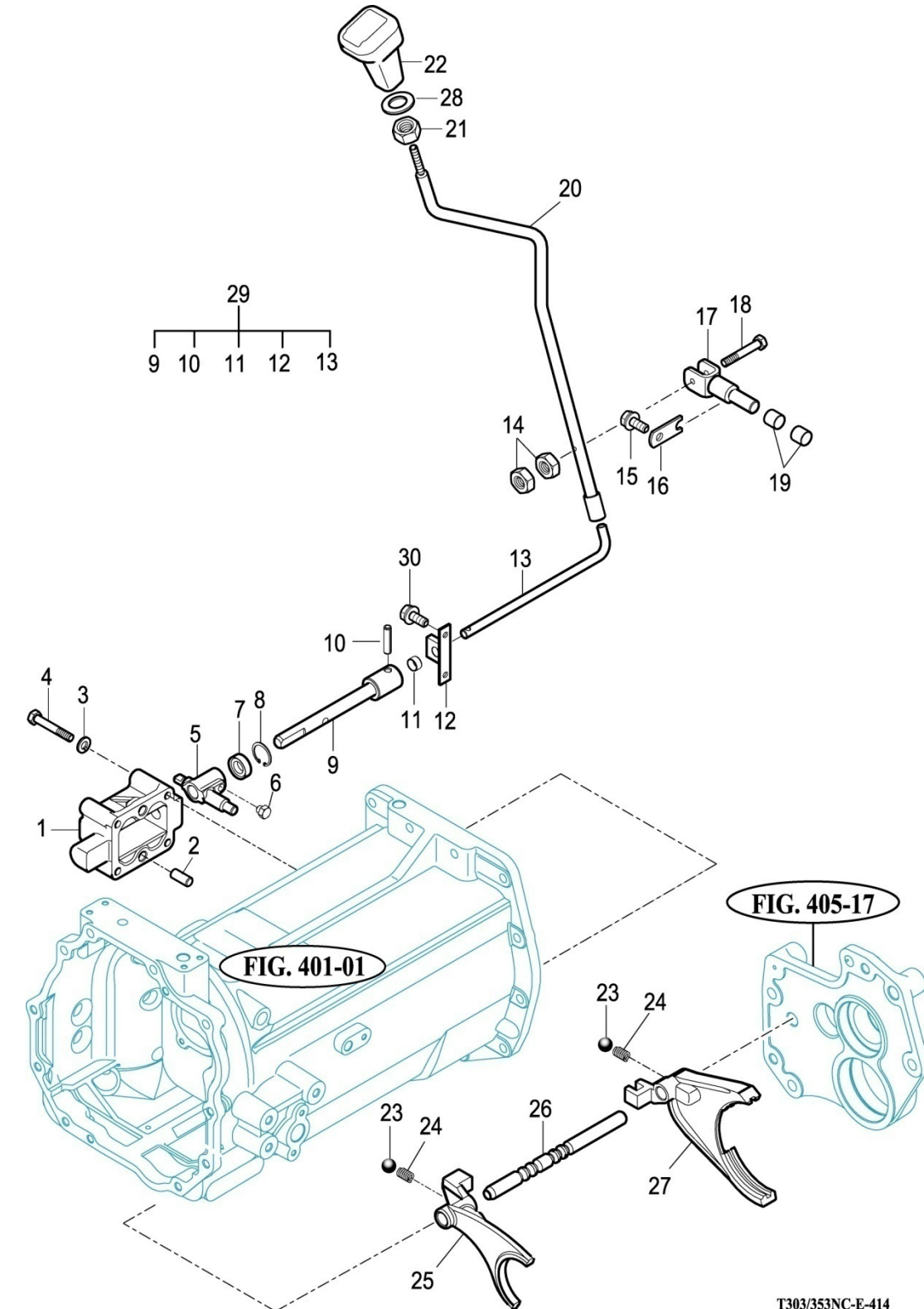
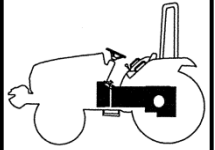
FIG 414

MAIN CHANGE LEVER

P1

Year

2017



T303/353NC-E-414

NOTE

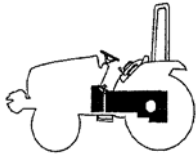
FIG 414 RK37S		MAIN CHANGE LEVER			P1	Year	
						2017	
KEY NO.	PART NO.	DESCRIPTION	SPEC.	QTY.	REPAIR	EFFECTIVE DATE	REMARKS
414 001	14942230330M	METAL , MAIN		1			
414 002	V5201010022	PIN , PARALLEL/A	10X22	2			
414 003	V4011600080	WASHER , SPRING	M8	4			
414 004	V2013608060	BOLT , HEX	M8X60	4			
414 005	14572230320M	ARM , CHANGE		1			
414 006	15602231600	BOLT , SET SEAL LOCK		1			
414 007	V7441142508	SEAL , OIL/D	D14258	1	B		
414 008	V7051400250	C-RING , HOLE	25	1			
414 009	16702244300	ROD COMP , IN CHANGE		1			
414 010	V5801406025	PIN , SPRING	6X25	1			
414 011	16702240060	BUSH , 12X14X08		1	C		
414 012	16702234300	BRACKET COMP , MAIN SHIFTER		1			
414 013	16702233500	ROD COMP , OUT CHANGE		1			
414 014	V3002600060	NUT , HEX/1	M6	2			
414 015	V2173608016	BOLT , HEX/S	M8X16	1			
414 016	16702230371	PLATE		1			
414 017	16702244202	PIN COMP , MAIN CHANGE		1			
414 018	16702240051	BOLT , M6X45		1			
414 019	15603142910	BUSH , 16X18X15		2			
414 020	16702244105	LEVER COMP , MAIN RANGE		1			
414 021	V3342600100	NUT , HEX FINE/2	M10	1			
414 022	14502810074	GRIP COMP , MAIN SHIFTER		1		~2019.06.24	
414 022	14502810075	GRIP COMP , MAIN SHIFTER		1		2019.06.25~	
414 023	V6802000010	BALL , STEEL		2			
414 024	13022250030	SPRING , SHIFTER		2			
414 025	16702230023M	FORK , 1ST/2ND		1			
414 026	16702230300	STAY , MAIN SHIFT		1			
414 027	16702230043M	FORK , SYNCHRO		1			
414 028	V4111600100	WASHER , PLAIN	M10	1			
414 029	16702232001	ROD SET , MAIN SHIFT		1			
414 030	V2173608025	BOLT , HEX/S	M8X25	2			
NOTE							

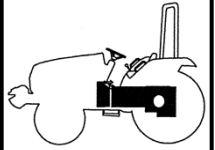
FIG 415

SUB CHANGE LEVER

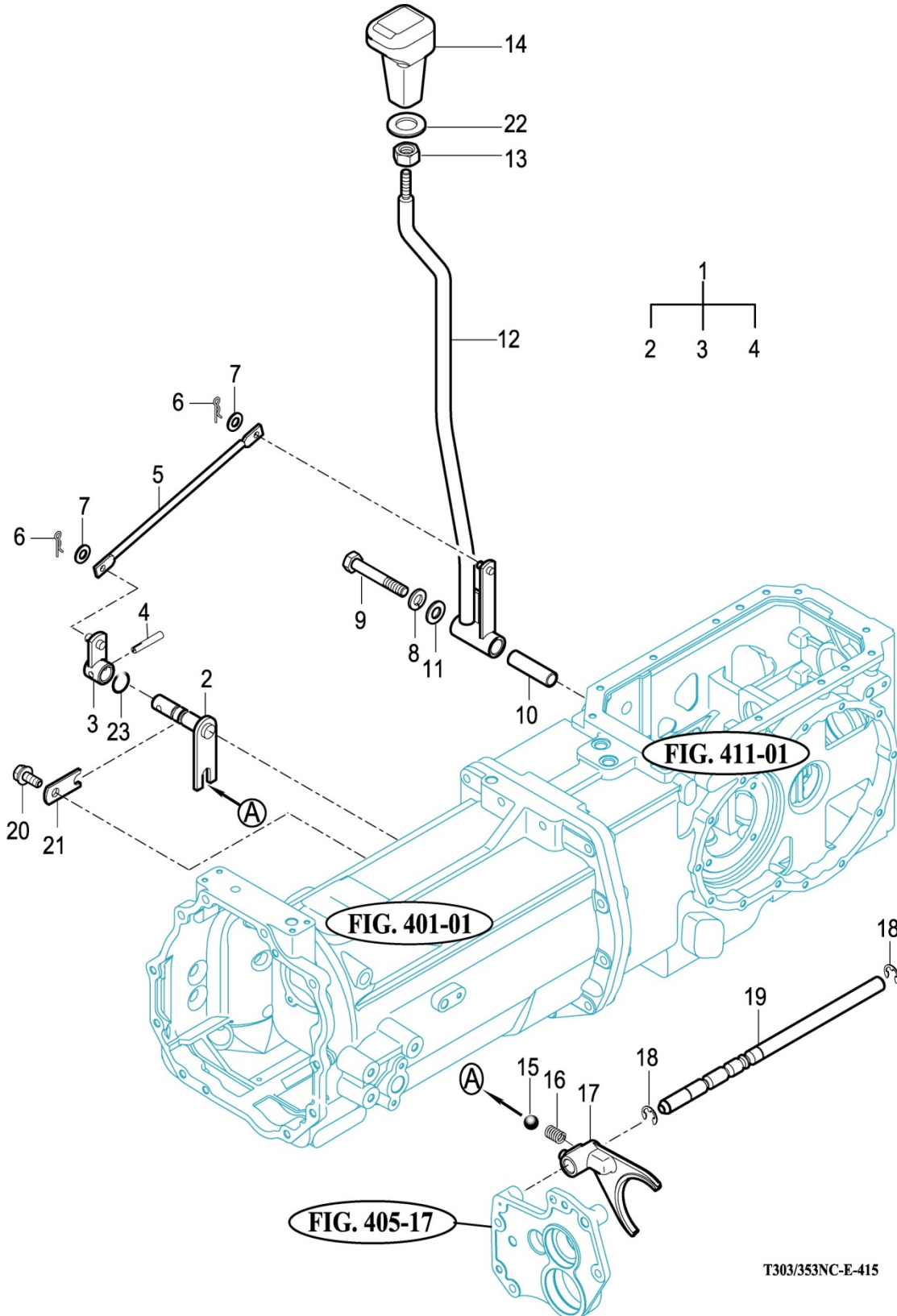
P1

Year

2017



RK37S



T303/353NC-E-415

NOTE

FIG 416

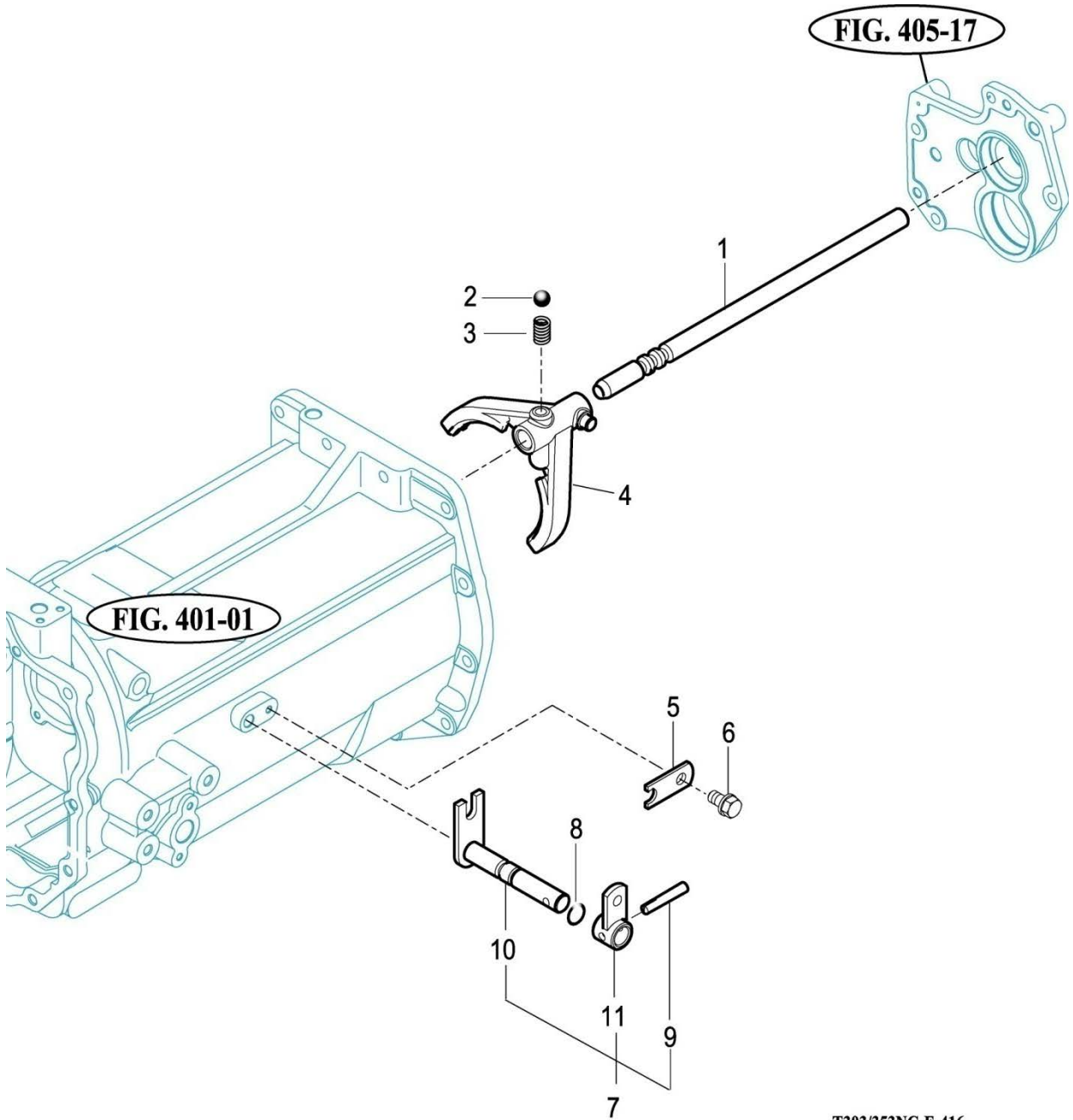
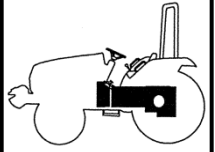
RK37S

REVERSE LINK

P1

Year

2017



T303/353NC-E-416

NOTE

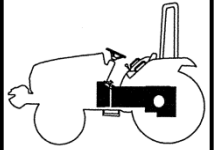
FIG 417

REVERSE CHANGE LEVER

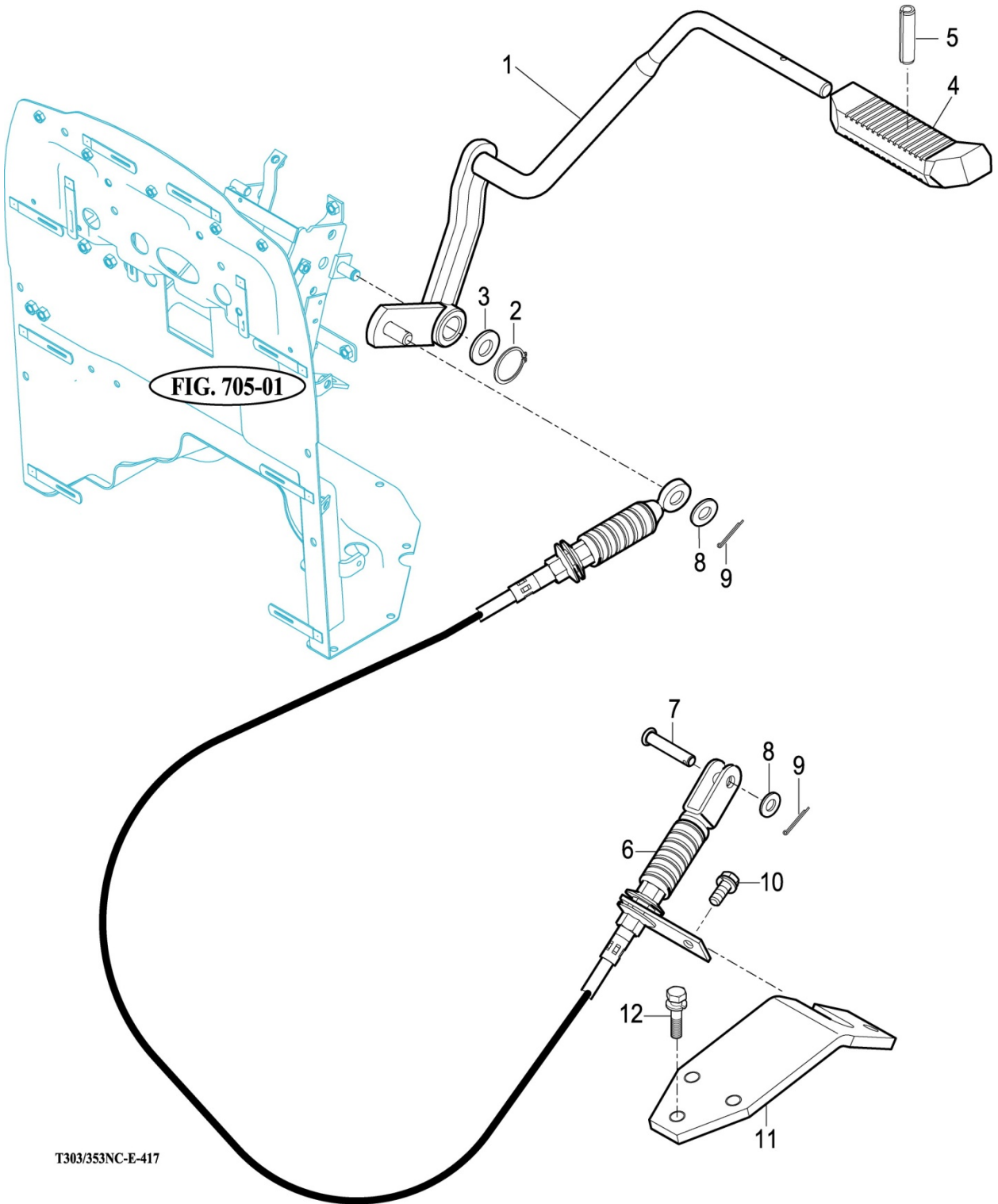
P1

Year

2017



RK37S



NOTE

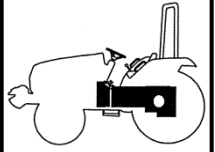
FIG 418

4WD CHANGE LEVER

P1

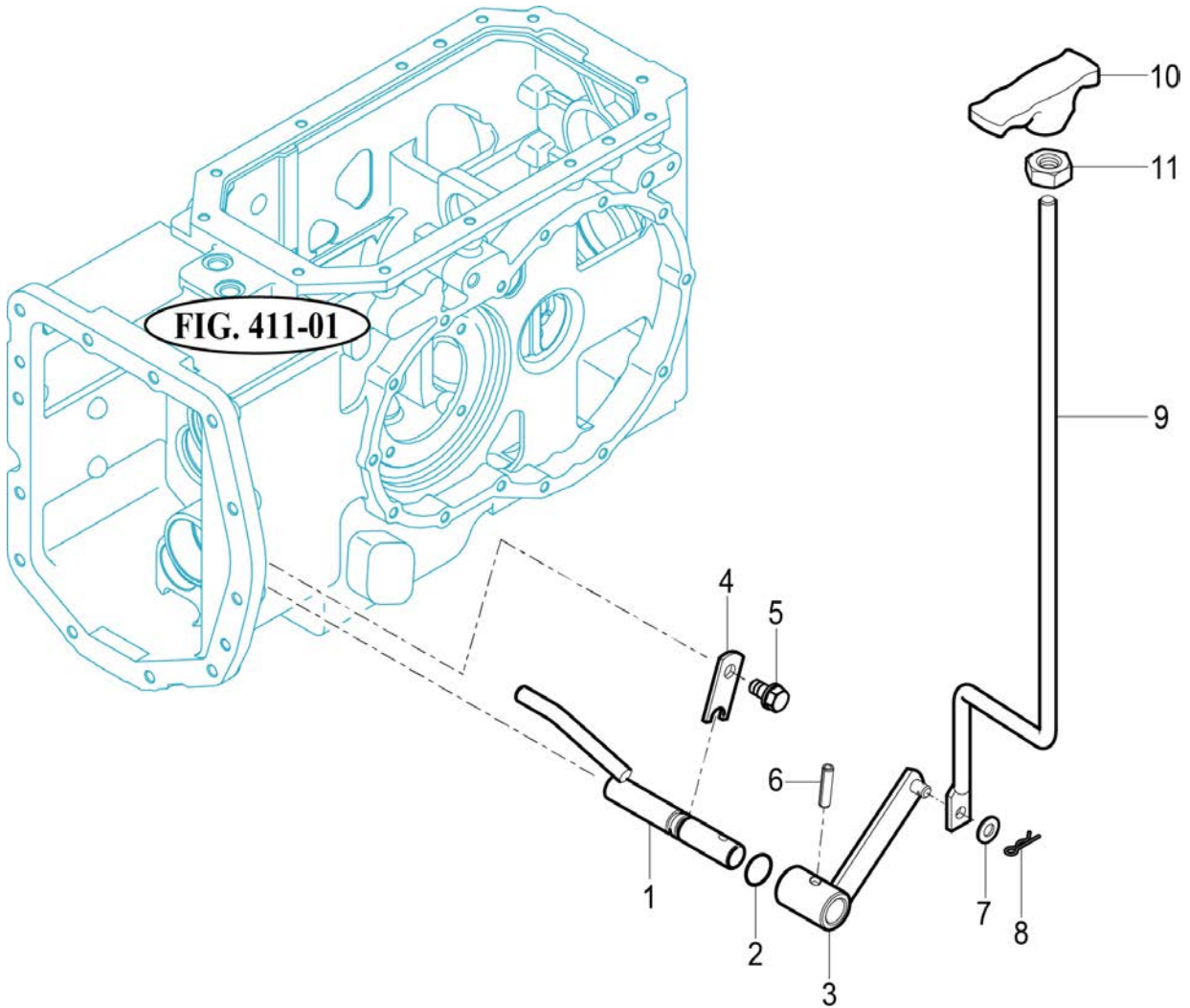
Year

2017



RK37S

FIG. 411-01



T303/353NC-E-418

NOTE

FIG 501

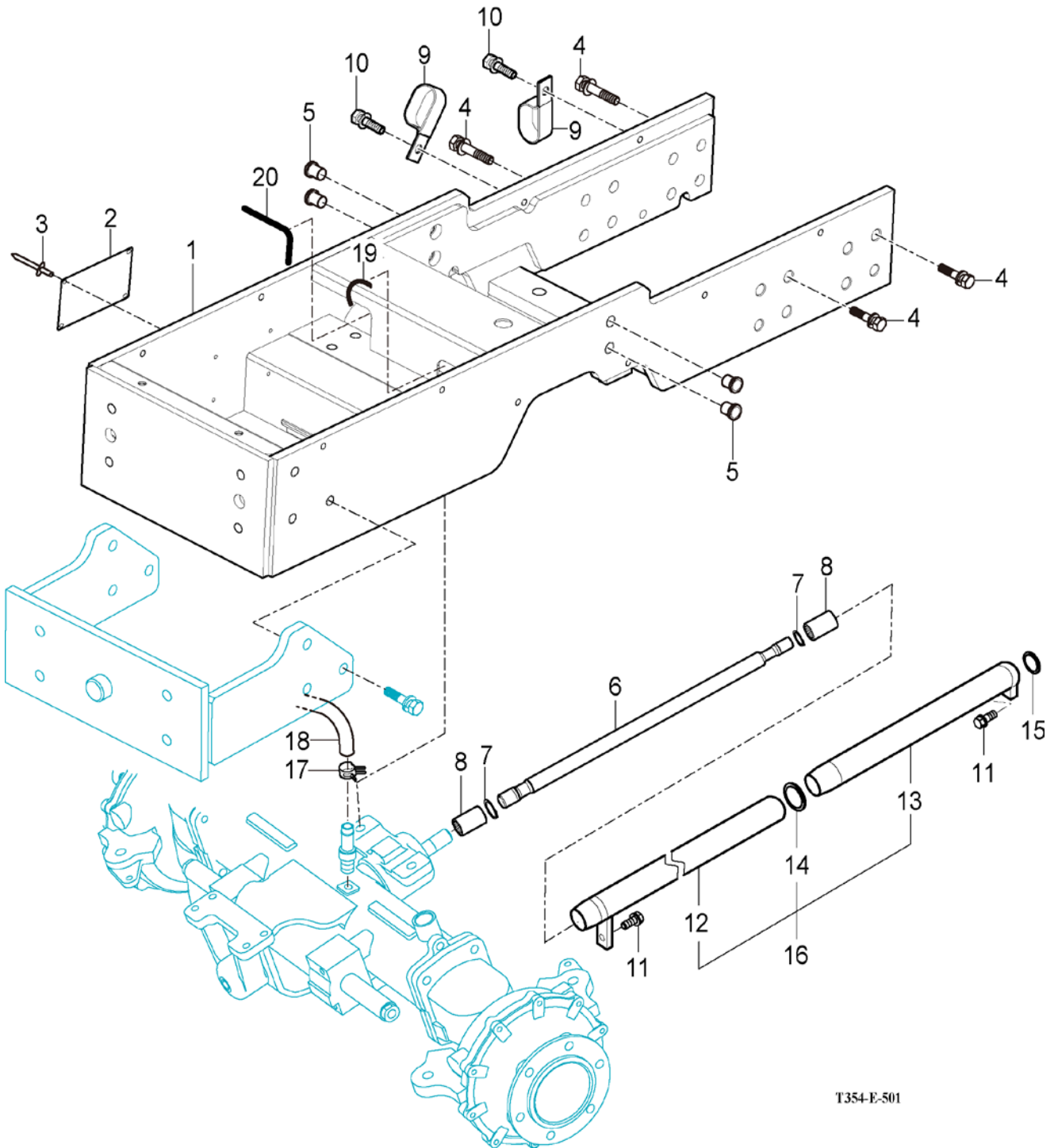
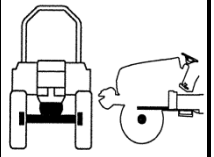
RK37S

FRONT AXLE BRACKET

P1

Year

2017



T354-E-501

NOTE

FIG 502

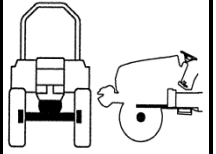
RK37S

FRONT DIFF. GEARS & SHAFT

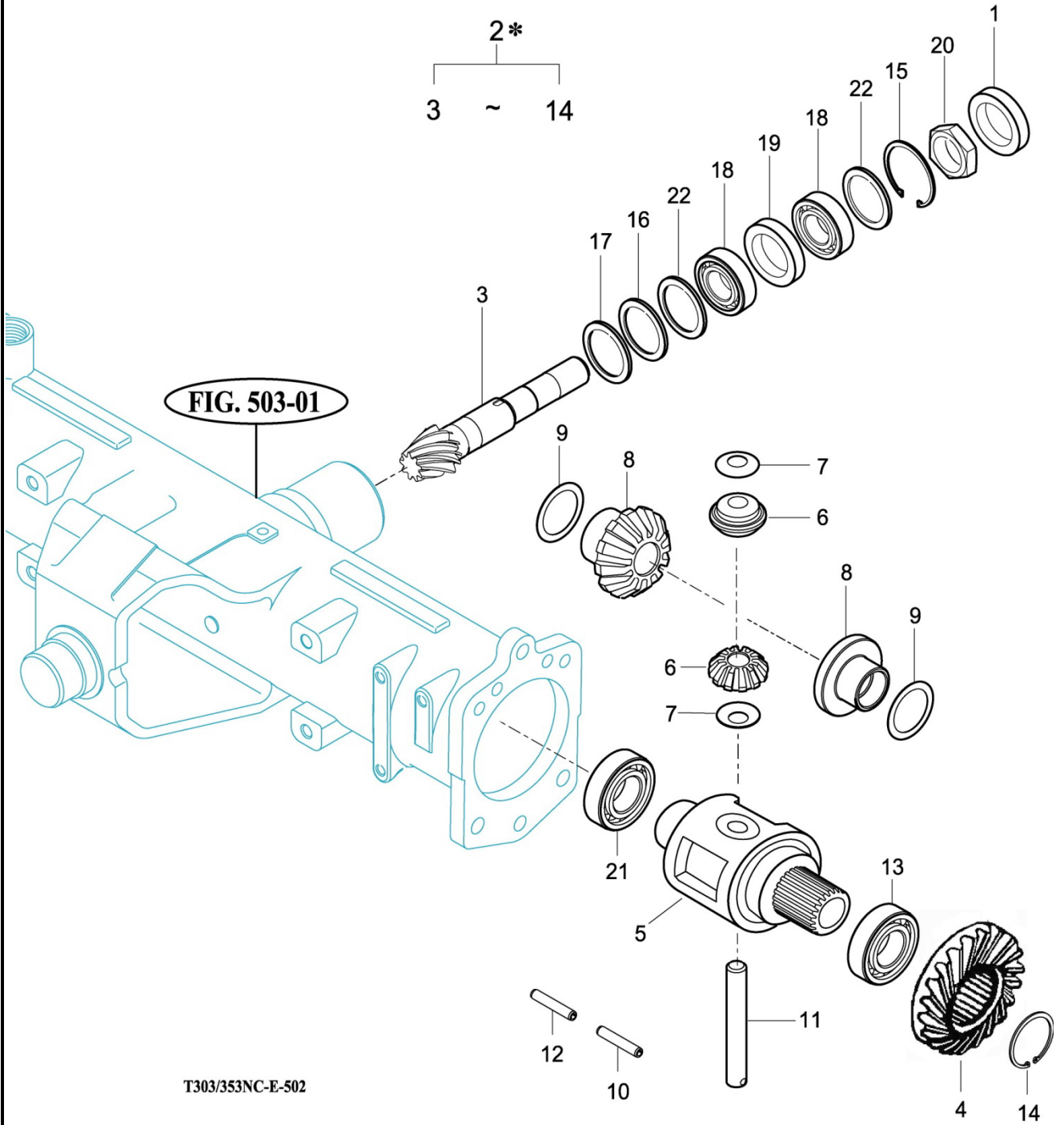
P1

Year

2017



* NOT SERVICED SEPARATELY



NOTE

FIG 503

RK37S

FRONT AXLE HOUSING

P1

Year

2017

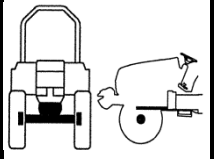
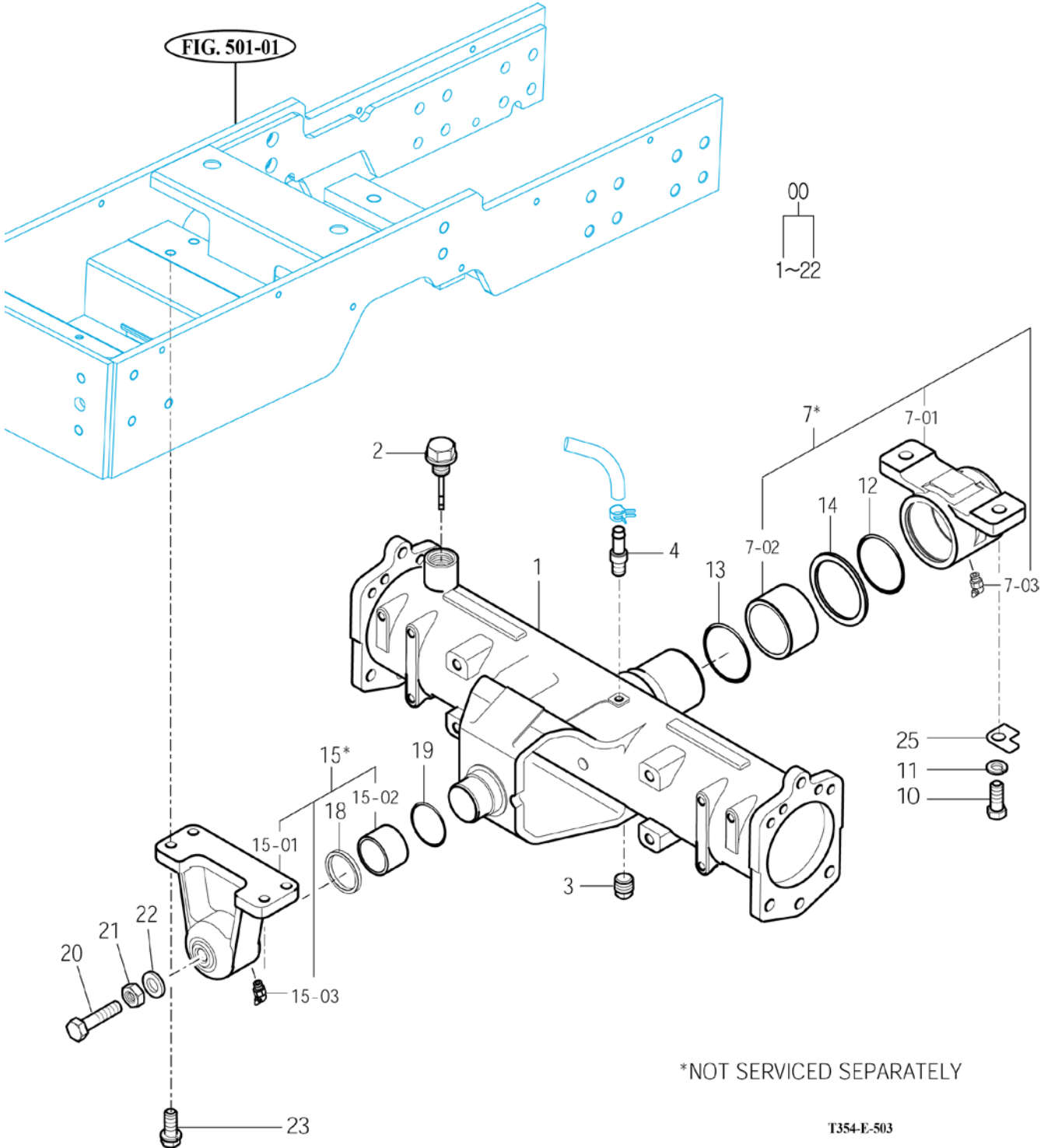


FIG. 501-01



NOTE

FIG 504

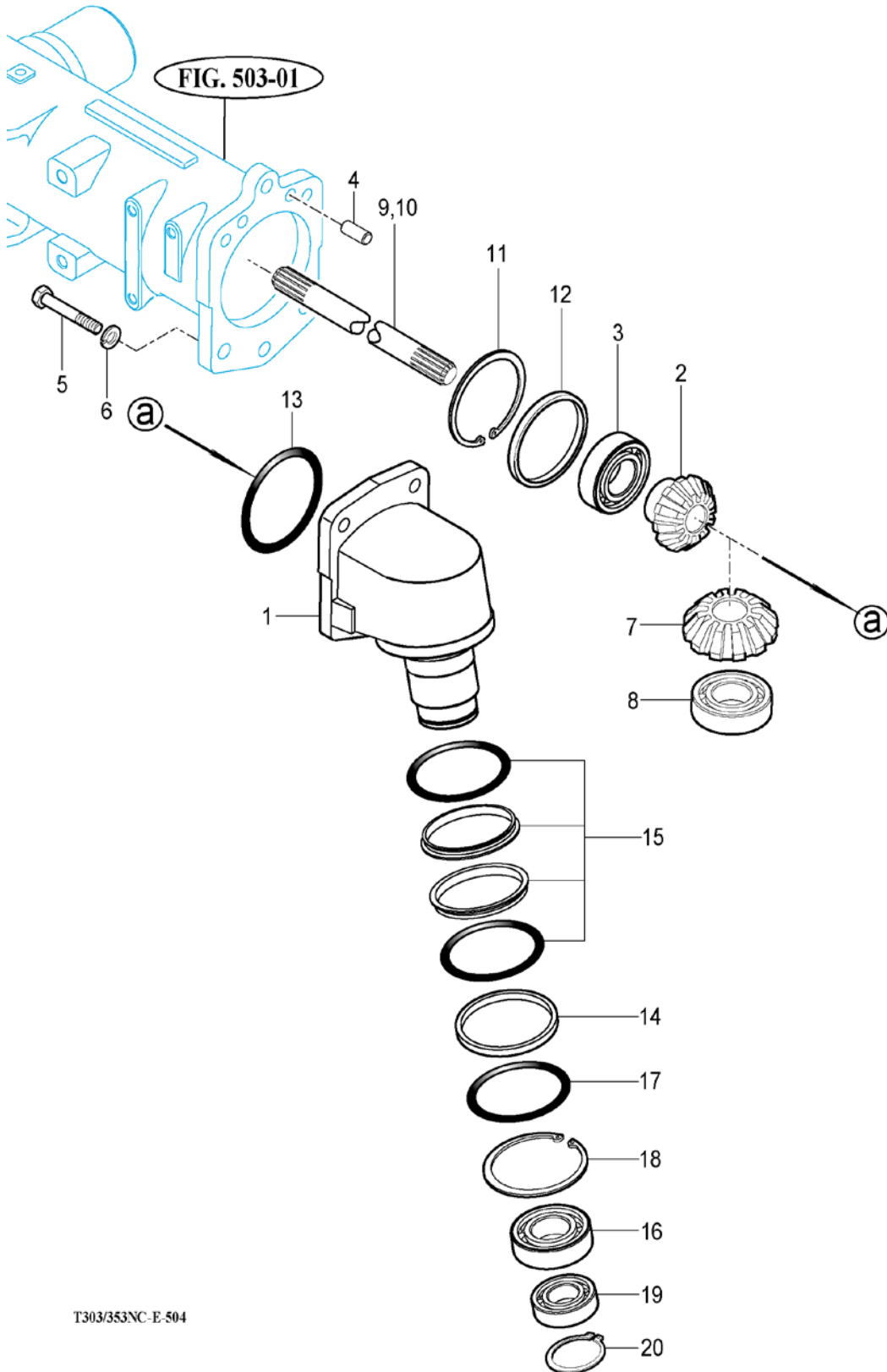
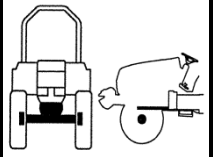
RK37S

FRONT GEAR CASE (1)

P1

Year

2017



T303/353NC-E-504

NOTE

FIG 505

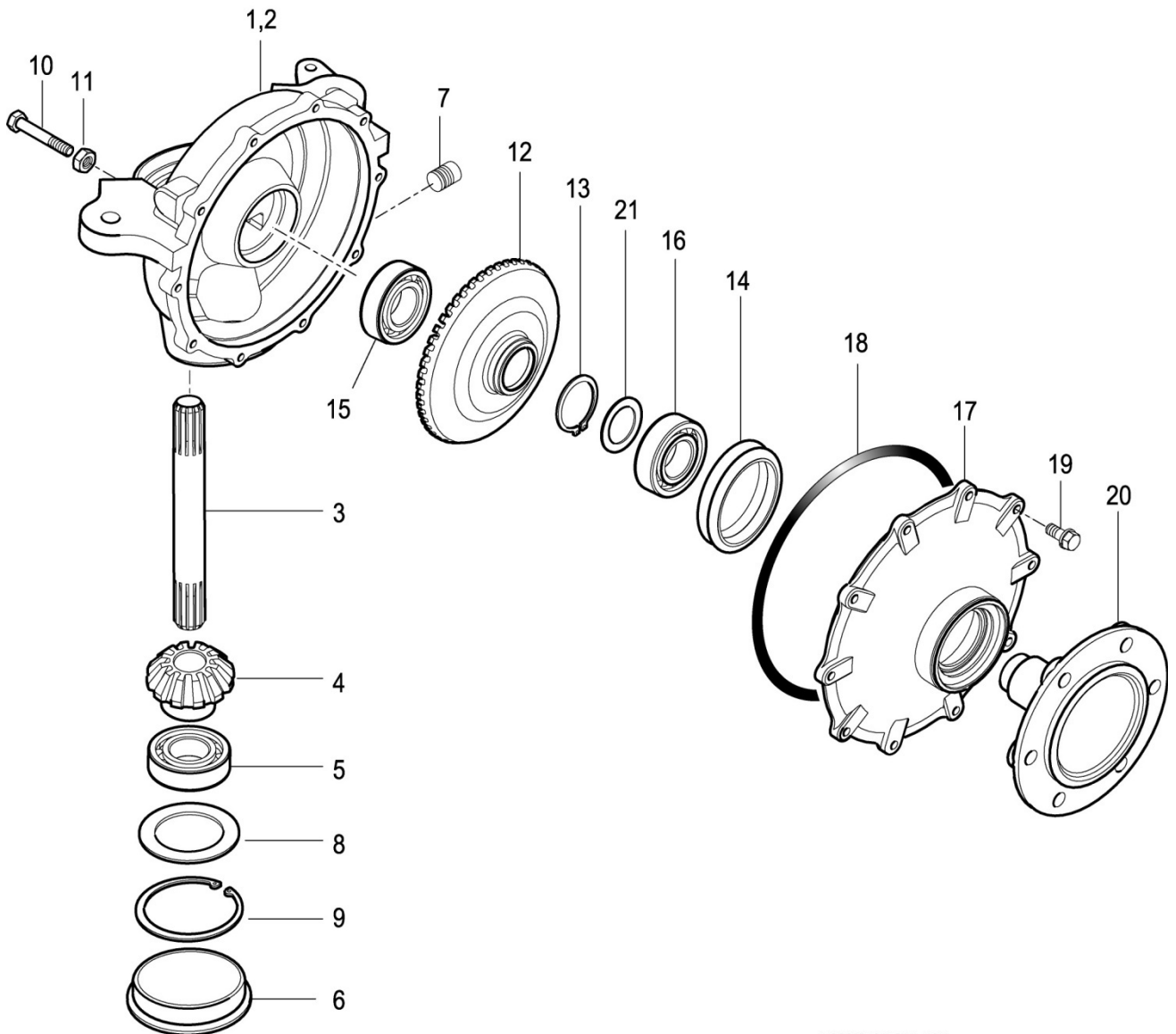
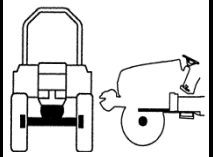
RK37S

FRONT GEAR CASE (2)

P1

Year

2017



T303/353NC-E-505

NOTE

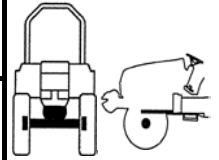
FIG 505

FRONT GEAR CASE (2)

P1

Year

2017



RK37S

KEY NO.	PART NO.	DESCRIPSTION	SPEC.	QTY.	REPAIR	EFFECTIVE DATE	REMARKS
505 001	14514342001M	CASE , LH FINAL DRIVE(B)		1			
505 002	14514342101M	CASE , RH FINAL DRIVE(B)		1			
505 003	16704130050	SHAFT		2			
505 004	16704130100	GEAR , BEVEL 11		2			
505 005	V6001106308	BEARING , BALL	6308	2			
505 006	16704330180	CAP , 90		2	C		
505 007	V7811600006	PLUG , SQUARE	R3/8	4			
505 008	16704130060	SHIM , 75X90X2		2			
505 009	V7051400900	C-RING , HOLE	90	2			
505 010	V2014612030	BOLT , HEX	M12X30	2			
505 011	V3042600120	NUT , HEX/2	M12	2			
505 012	16704340080	GEAR , BEVEL 41		2			
505 013	V7041400500	C-RING , SHAFT	50	2			
505 014	16004340040	SEAL		2	B		
505 015	V6041106208	BEARING , BALL/HL1	6208HL1	2			
505 016	V6001106210	BEARING , BALL	6210	2			
505 017	16704340130M	COVER , WHEEL SHAFT		2			
505 018	16704340150	O RING		2	B		
505 019	V2173608025	BOLT , HEX/S	M8X25	20			
505 020	16704340070	SHAFT , WHEEL		2			
505 021	16709510080	WASHER , 50X60X2		2			

NOTE

FIG 601

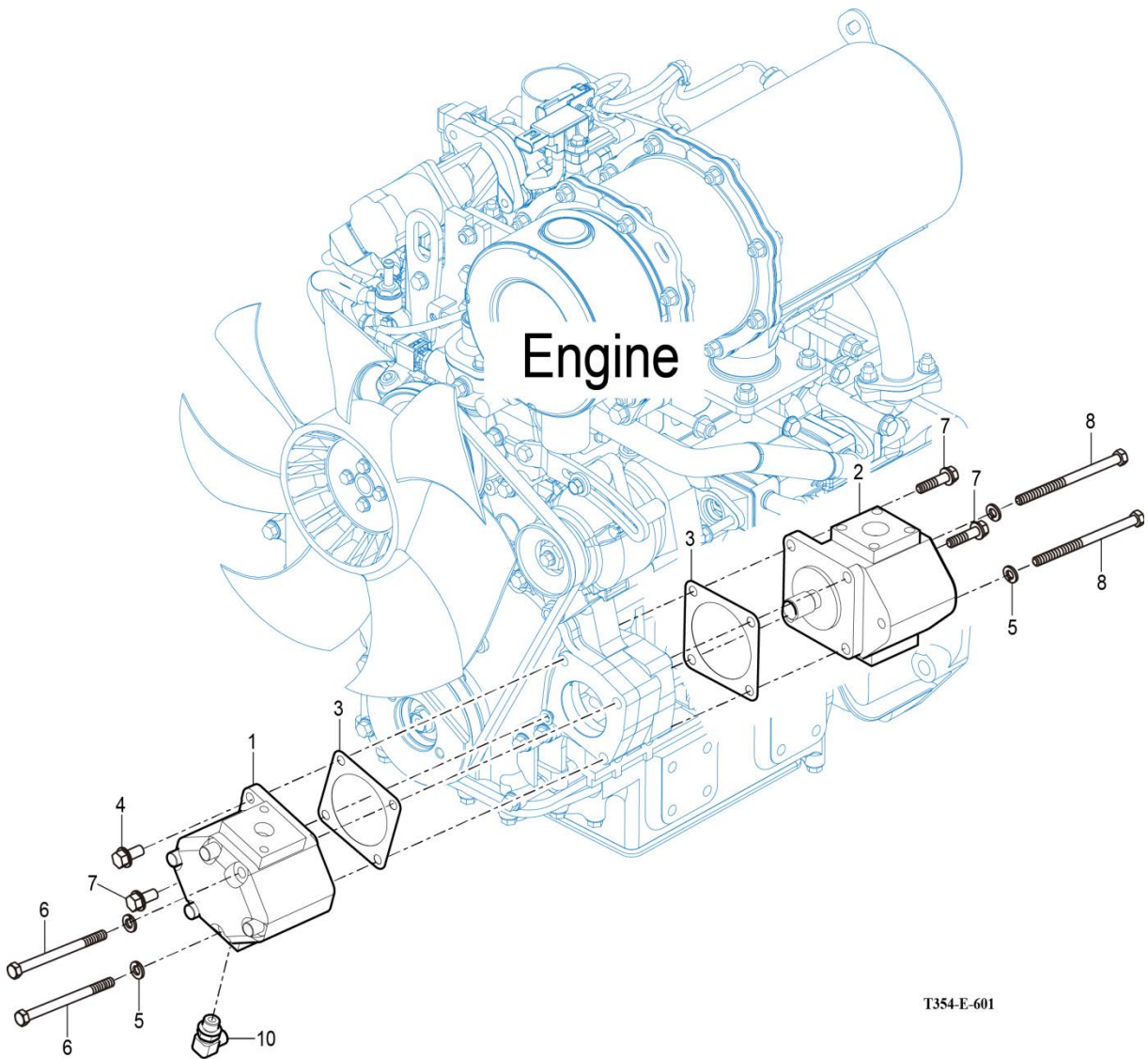
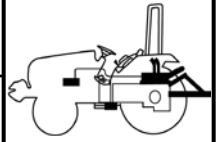
RK37S

GEAR PUMP

P1

Year

2017



T354-E-601

NOTE

FIG 602

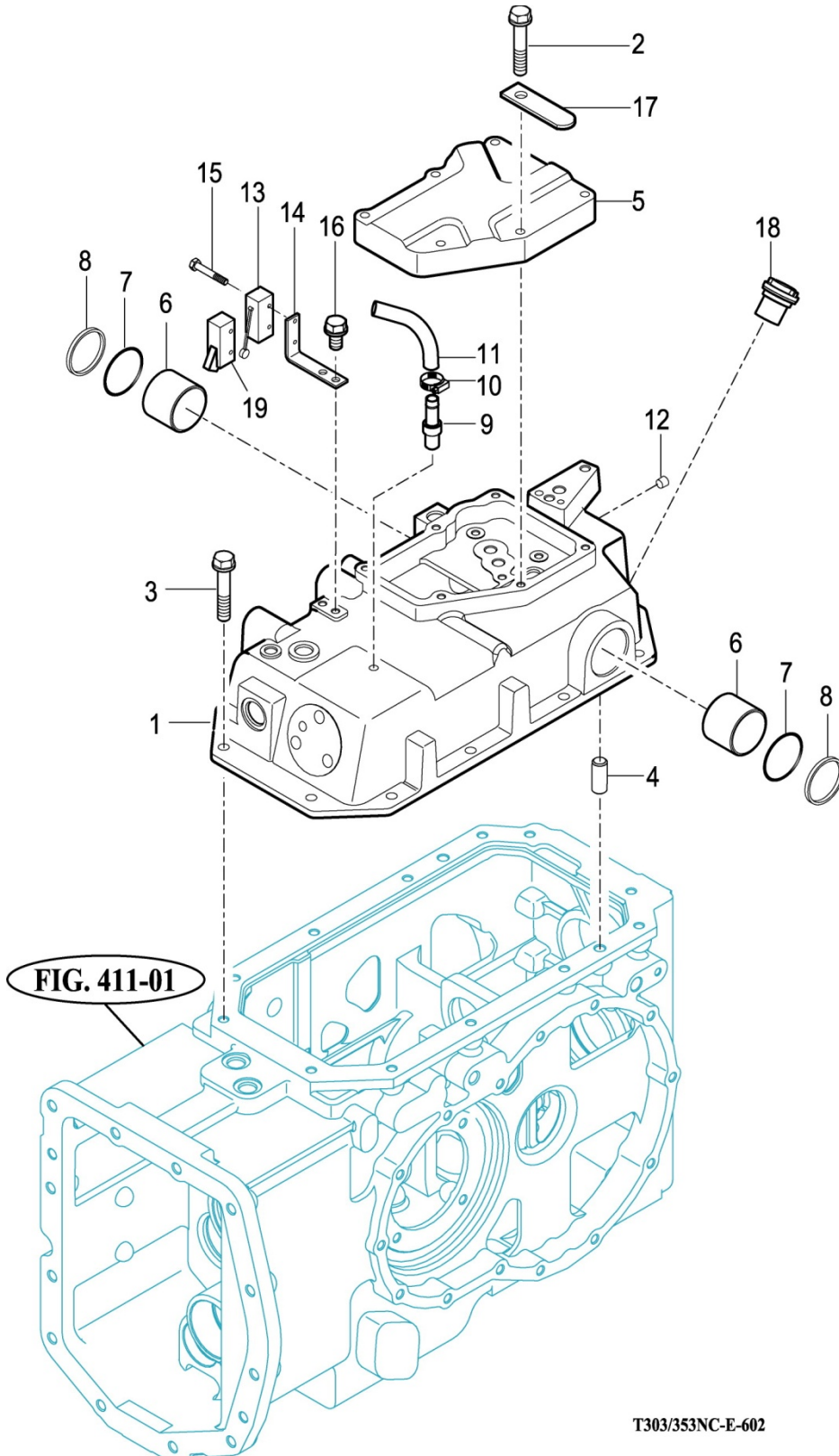
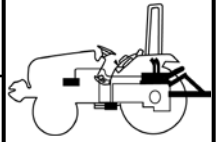
RK37S

CYLINDER CASE

P1

Year

2017



NOTE

FIG 603

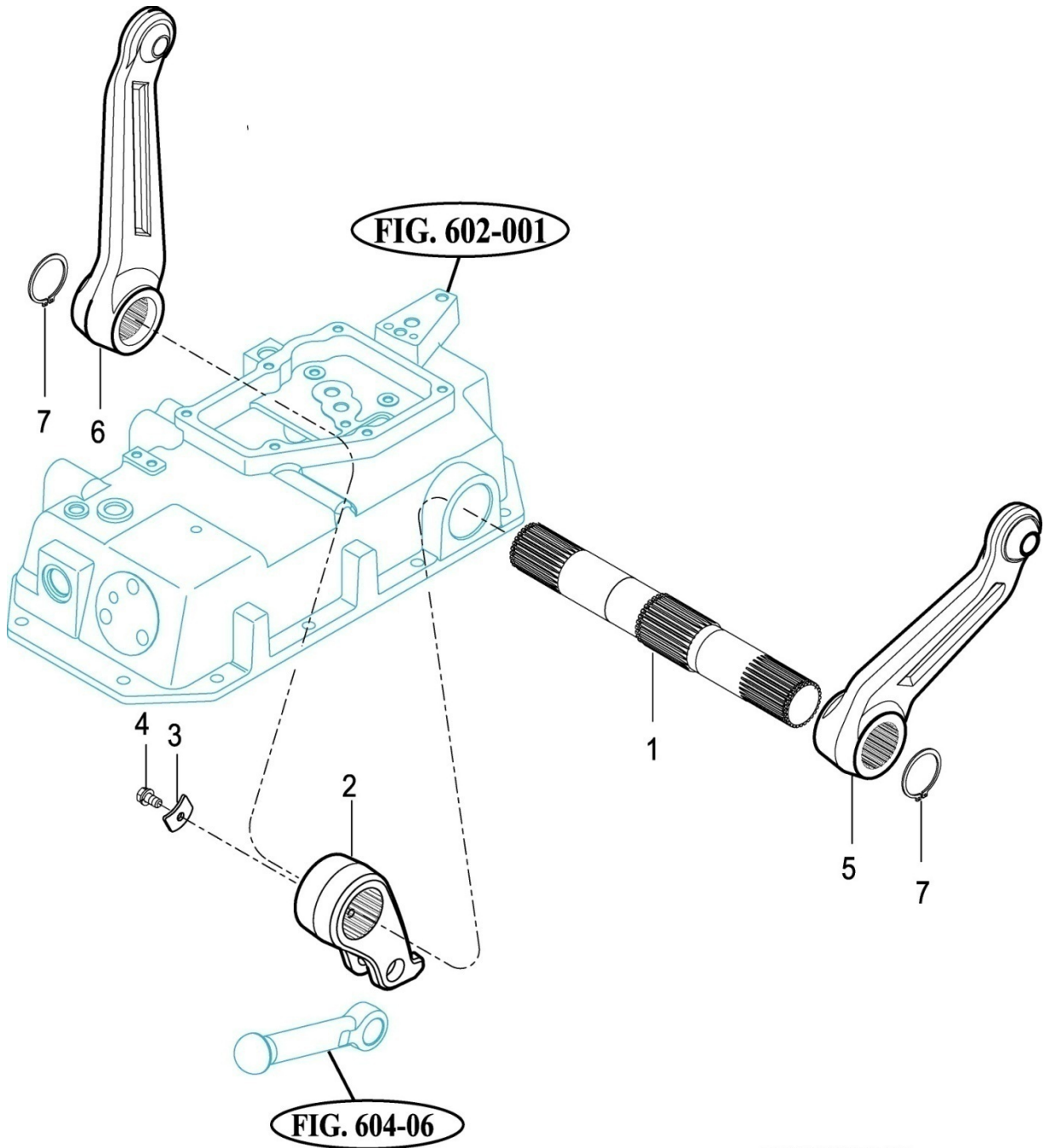
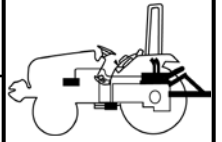
RK37S

LIFT ARM

P1

Year

2017



T303/353NC-E-603

NOTE

FIG 604

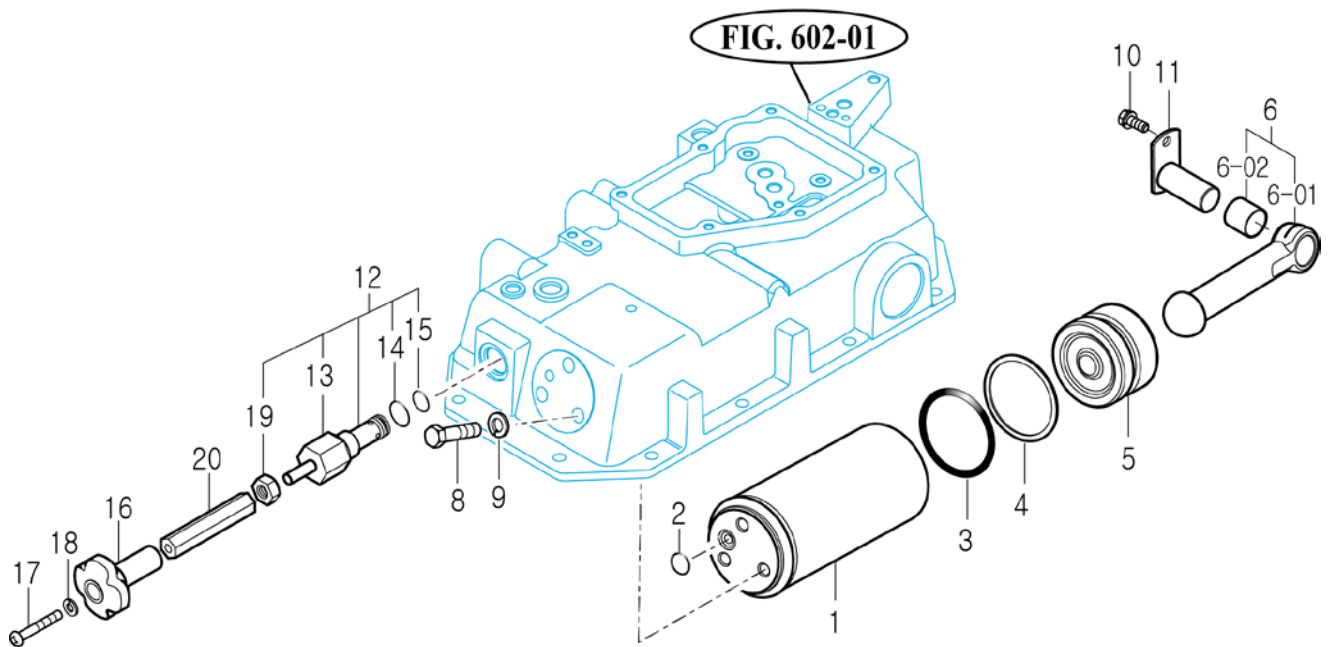
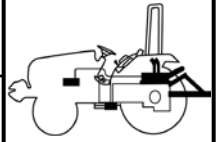
RK37S

CYLINDER

P1

Year

2017



T303/353NC-E-604

NOTE

FIG 605

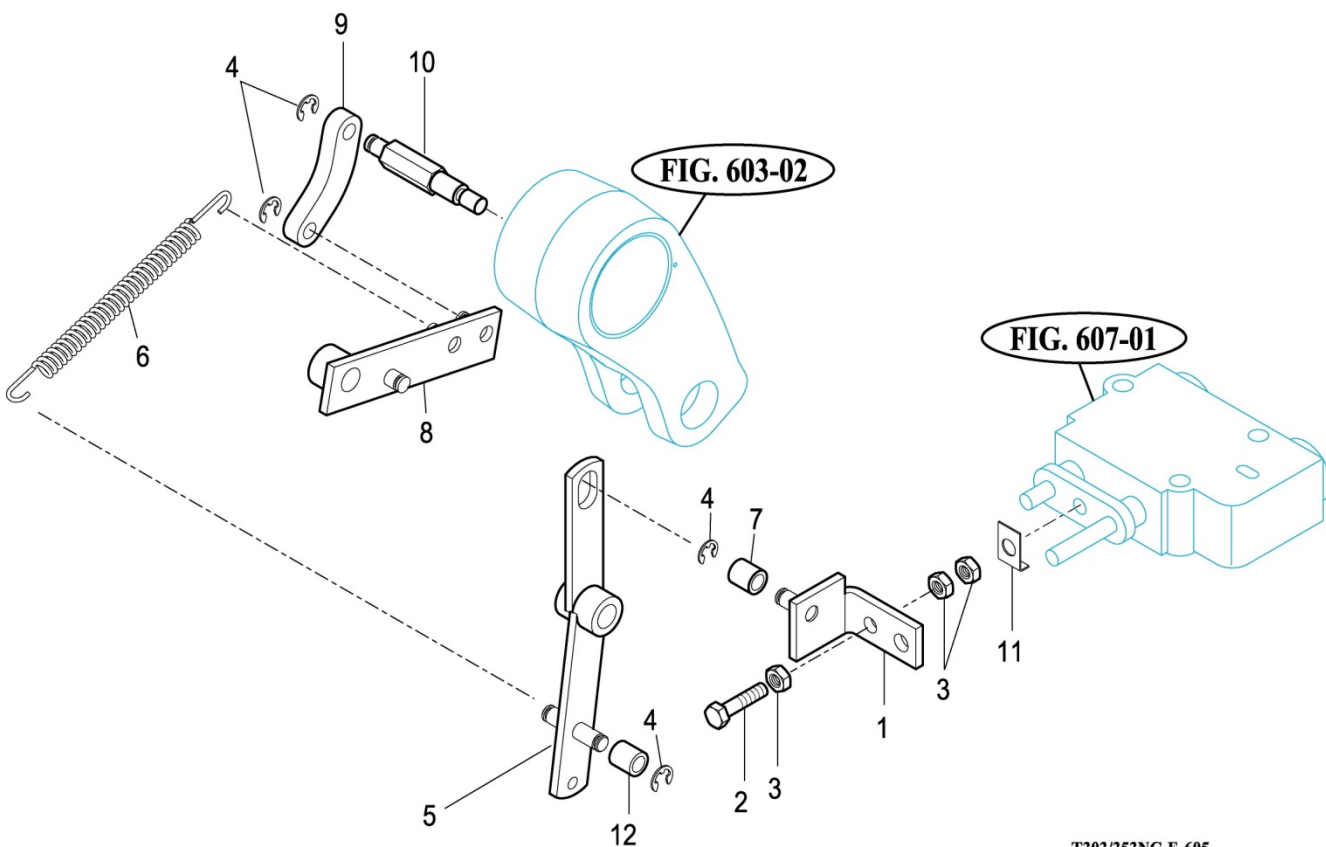
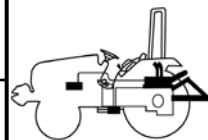
RK37S

POSITION LINK (1)

P1

Year

2017



T303/353NC-E-605

NOTE

FIG 606

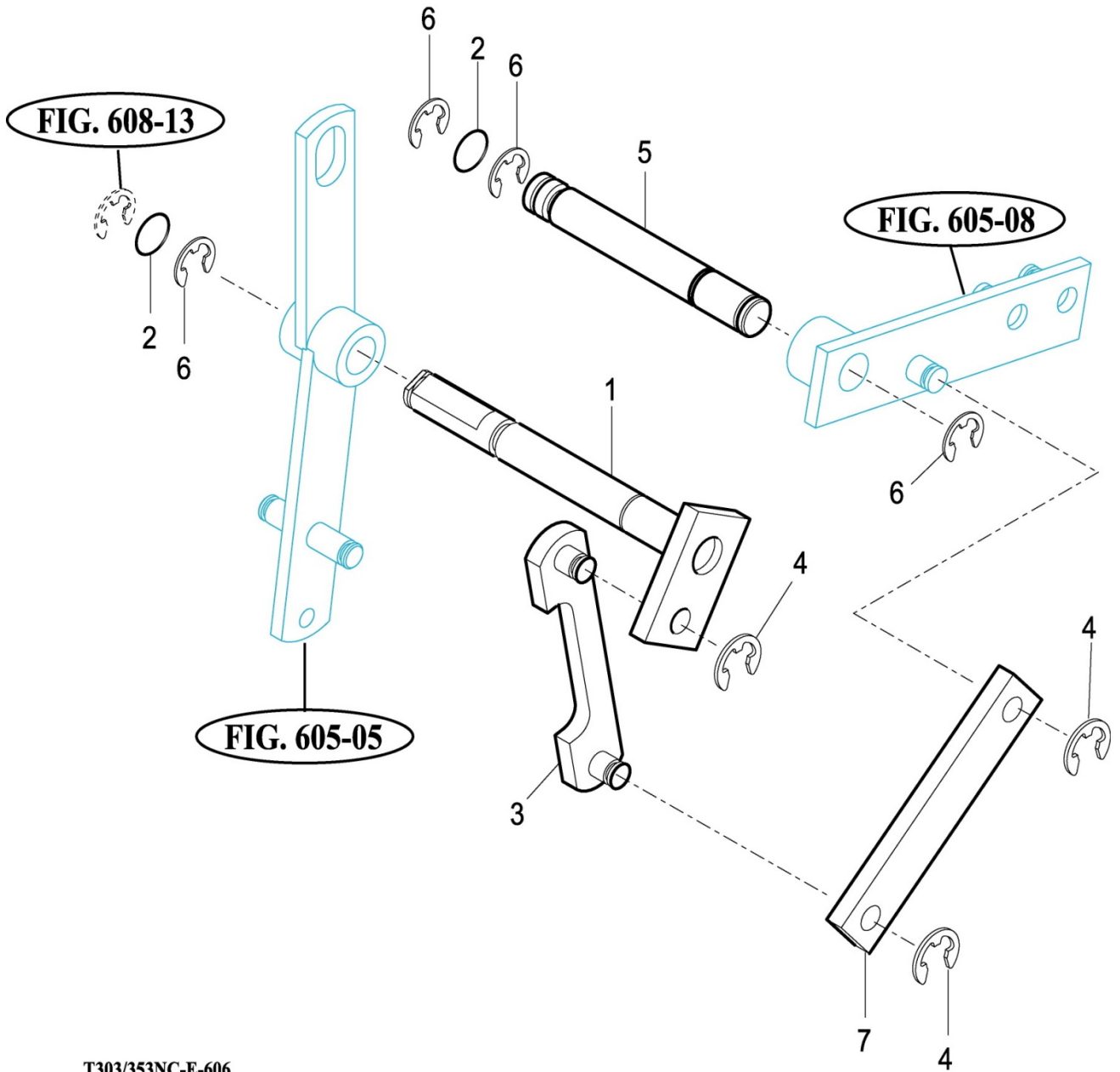
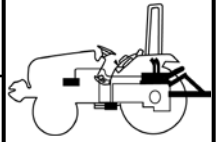
RK37S

POSITION LINK (2)

P1

Year

2017



T303/353NC-E-606

NOTE

FIG 607

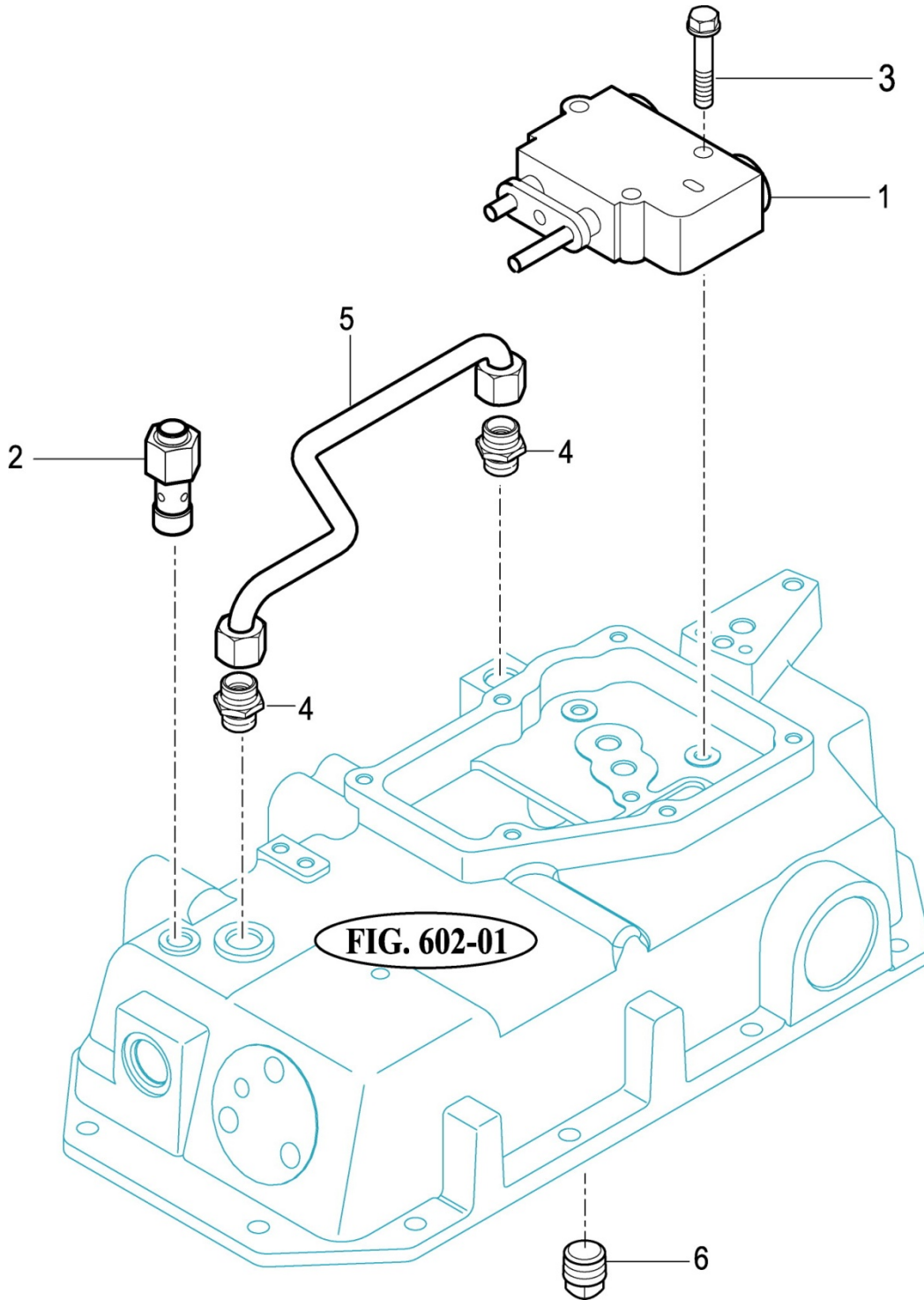
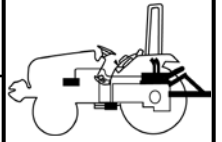
RK37S

CONTROL VALVE

P1

Year

2017



T303/353NC-E-607

NOTE

FIG 608

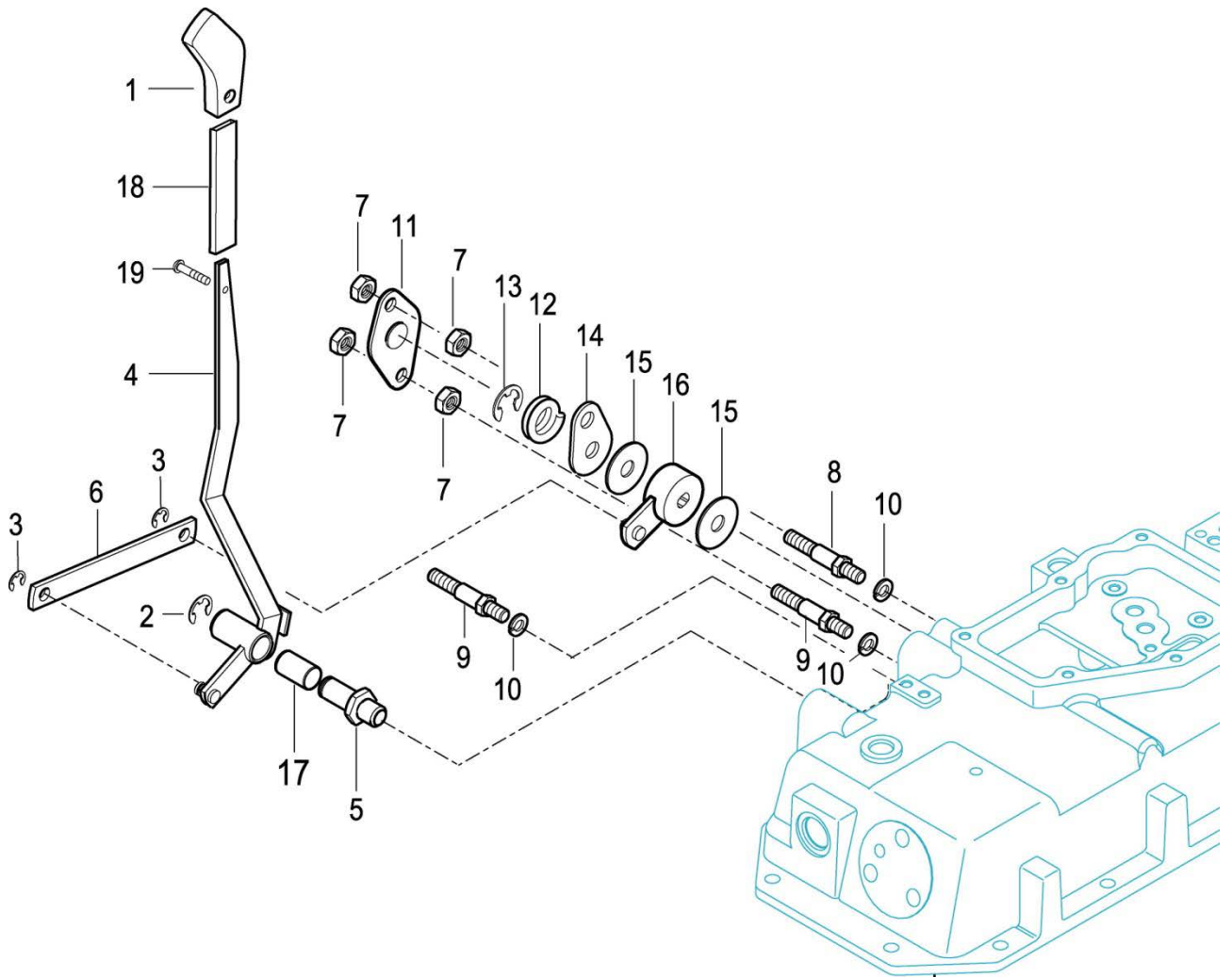
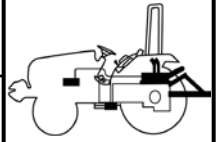
RK37S

POSITION LEVER

P1

Year

2017



T303/353NC-E-608

FIG. 602-01

NOTE

FIG 609

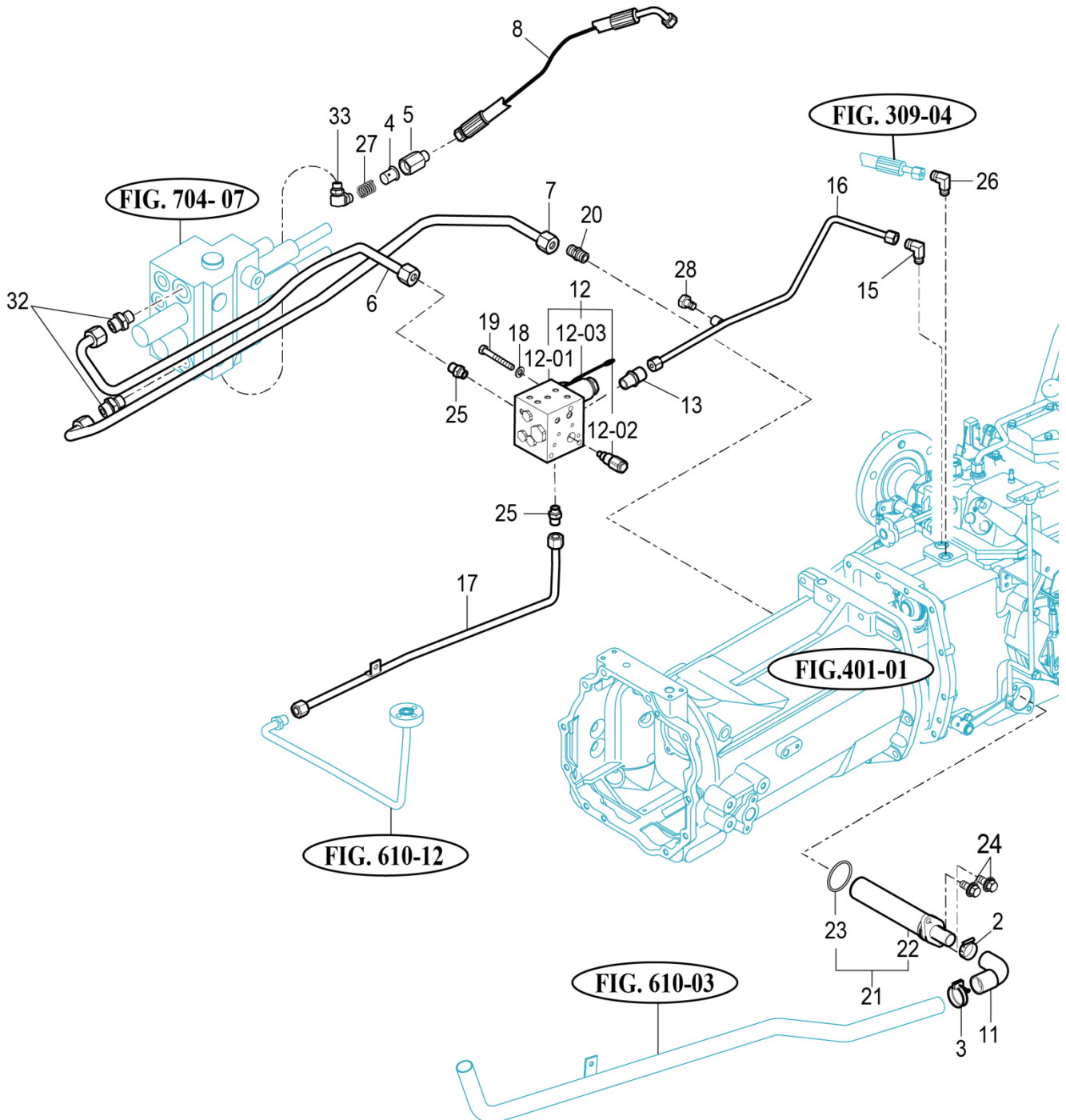
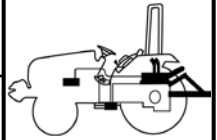
RK37S

HYDRAULIC PIPE

P1

Year

2017



NOTE

FIG 610

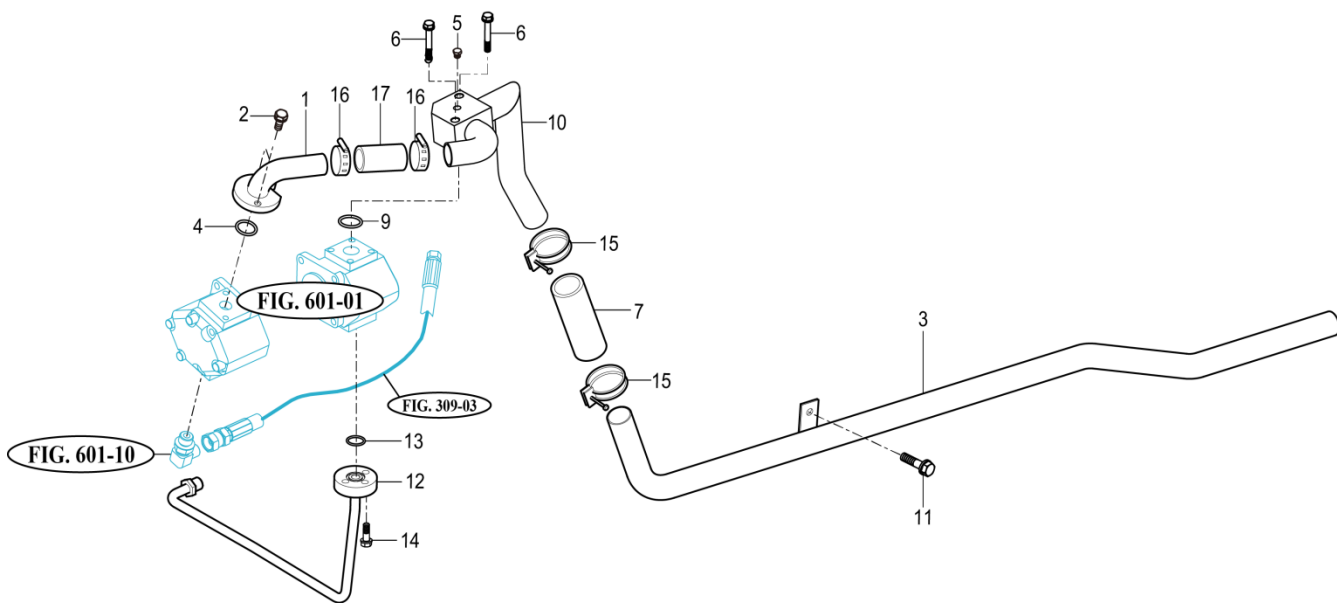
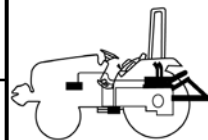
RK37S

HYDRAULIC PIPE (2)

P1

Year

2017



T394NC-E-610

NOTE

FIG 611

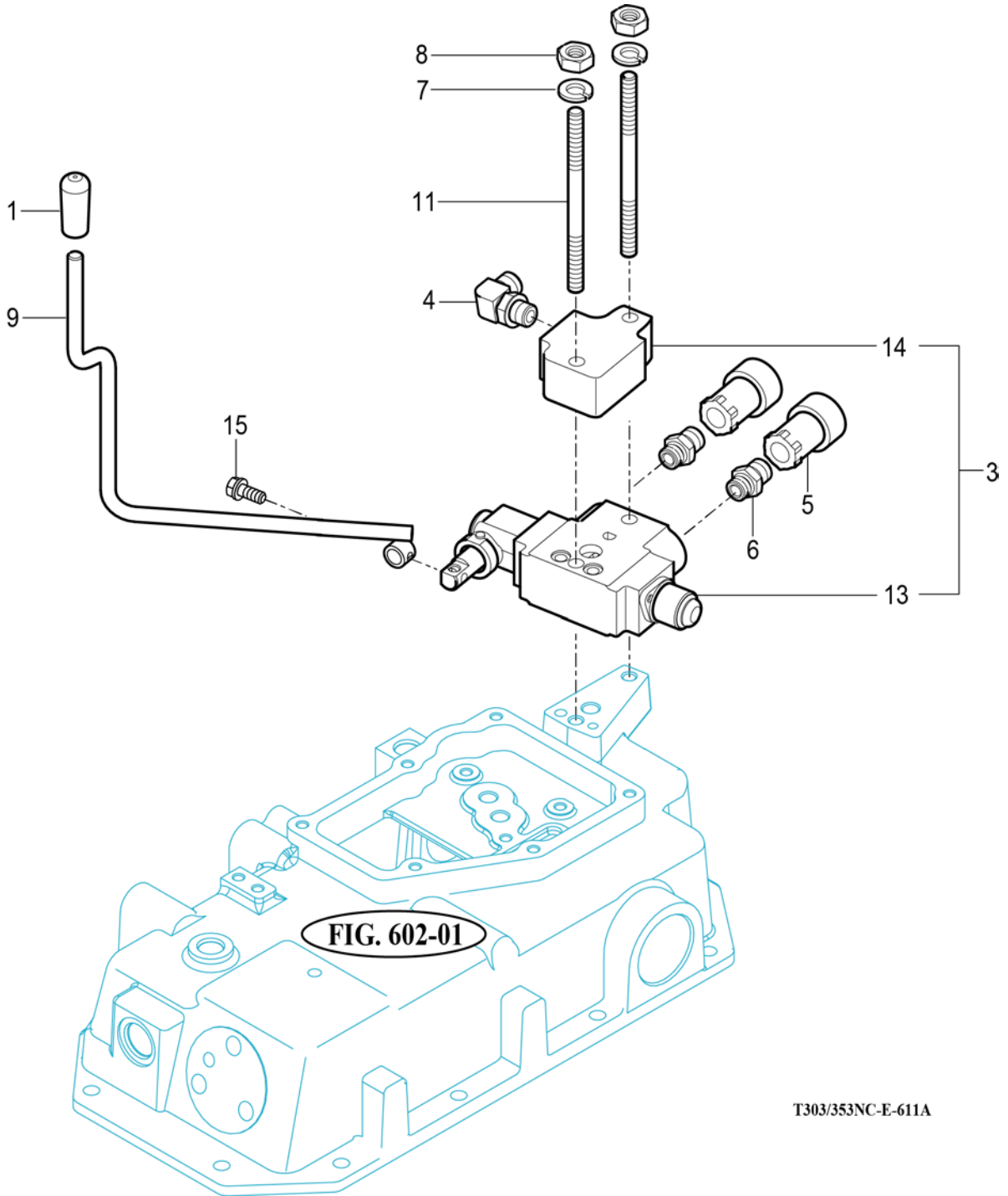
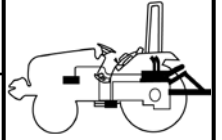
RK37S

EXTERIOR HYD. VALVE

P1

Year

2017



NOTE

FIG 612

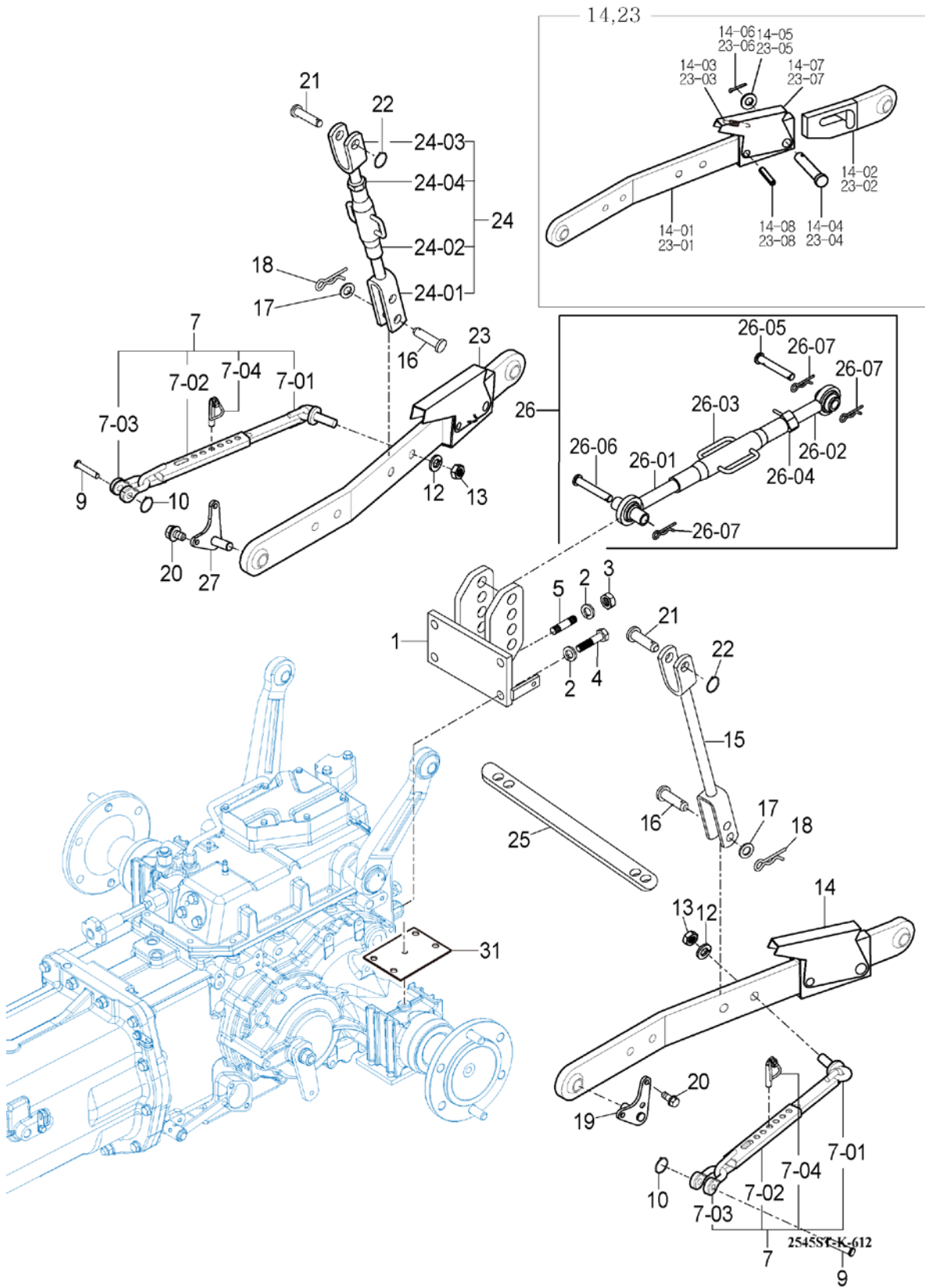
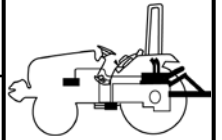
RK37S

3-POINT LINK

P1

Year

2017



NOTE

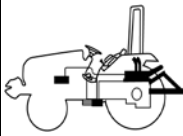
FIG 612		3-POINT LINK			P1	Year	
RK37S						2017	
KEY NO.	PART NO.	DESCRIPTION	SPEC.	QTY.	REPAIR	EFFECTIVE DATE	REMARKS
612 001	16703172002GB	BRACKET COMP , TOP LINK		1			
612 002	V4011600140	WASHER , SPRING	M14	4			
612 003	V3043600140	NUT , HEX/2	M14	2			
612 004	V2014614035	BOLT , HEX/S		2			
612 005	V2514414028	BOLT , STUD/2	M14X28	2		~2017.02.06	
612 005	V2514414030	BOLT , STUD/2	M14X30	2		2017.02.07~	
612 007	10525142500	CHAIN ASSY , CHECK		2			
612 00701	10525142520	BAR COMP , CHECK		2			
612 00702	10525142510	SOCKET COMP , CHECK		2			
612 00703	16705142520	SHACKLE , CHECK CHAIN		2			
612 00704	17705254200	PIN	M14	2			
612 009	79636110030	PIN , 12X48		2			
612 010	16735240060	Spring		2			
612 012	V4011600160	WASHER , SPRING	M16	2			
612 013	V3013600160	NUT , HEX/2	M16	2			
612 014	10525262300GB	LINK ASSY , LH LOWER		1			
612 01401	10525262310	LINK SUB , LOWER LH/FR		1			
612 01402	10525262320	LINK SUB , LOWER LH/RR		1			
612 01403	15155262330	SPRING , EXTENSION		1			
612 01404	15155262340	PIN , 22X56		1			
612 01405	V4111600220	WASHER , PLAIN	M22	1			
612 01406	V5001940035	PIN , SPLIT	4X35	1			
612 01407	15155262350	GRIP		1			
612 01408	15155262360	PIN , SPRING		1			
612 015	10525243000GB	ROD COMP , LH LIFT		1			
612 016	15605260014	PIN , 16X51		2			
612 017	V4111600160	WASHER , PLAIN	M16	2			
612 018	V5601600160	PIN , SNAP		2			
612 019	12385142200	PIN COMP , LH		2			
612 020	V2173612030	BOLT , HEX/S	M12X30	4			
612 021	16735243500	PIN , 19X69		2			
612 022	16735240060	SPRING		2			
612 023	10525262200GB	LINK ASSY , RH LOWER		1			
612 02301	10525262210	LINK SUB , LOWER RH/FR		1			
612 02302	10525262220	LINK SUB , LOWER RH/RR		1			
612 02303	15155262330	SPRING , EXTENSION		1			
612 02304	15155262340	PIN , 22X56		1			
612 02305	V4111600220	WASHER , PLAIN	M22	1			
612 02306	V5001940035	PIN , SPLIT	4X35	1			
612 02307	15155262350	GRIP		1			
612 02308	15155262360	PIN , SPRING		1			
612 024	10525244000GB	ROD ASSY , RH LIFT		1			
612 02401	10525145200	FORK COMP , LOW		1			
612 02402	16705145100	SLIP COMP		1			
612 02403	10525145300	FORK COMP , UPR		1			
612 02404	V3023600220	NUT , HEX/3		1			
612 025	15605250030	BAND , 470		1			
612 026	16505245501GB	LINK ASSY , TOP		1			
612 02601	16505245510	LINK COMP , RH TOP LINK		1			
612 02602	16505245520	LINK COMP , LH TOP LINK		1			
612 02603	14555140251	TURNBUCKLE COMP		1			
612 02604	16505245530	NUT , HEX/3		1			
612 02605	15645220020	PIN , TOP LINK		1			
612 02606	15645220011	PIN , 19X86		1			
612 02607	14445140051	PIN , 19		3			
612 027	12385142300	PIN COMP , RH		1			
612 031	13017020040GB	PLATE , W/O ROPS		2			
NOTE							

FIG 613

RK37S

HITCH & COVER

P1

Year

2017

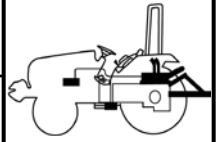
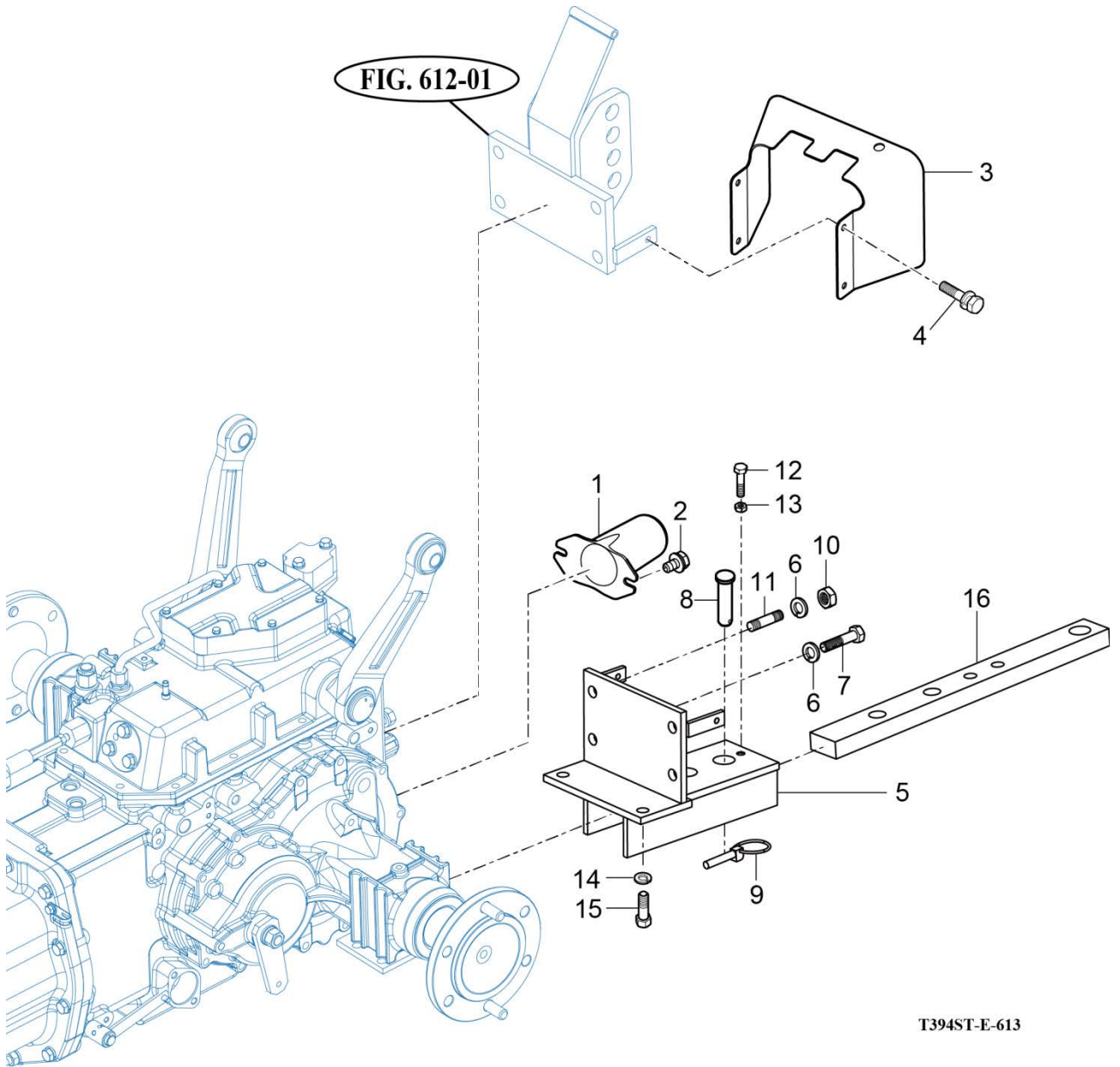


FIG. 612-01



T394ST-E-613

NOTE

FIG 701

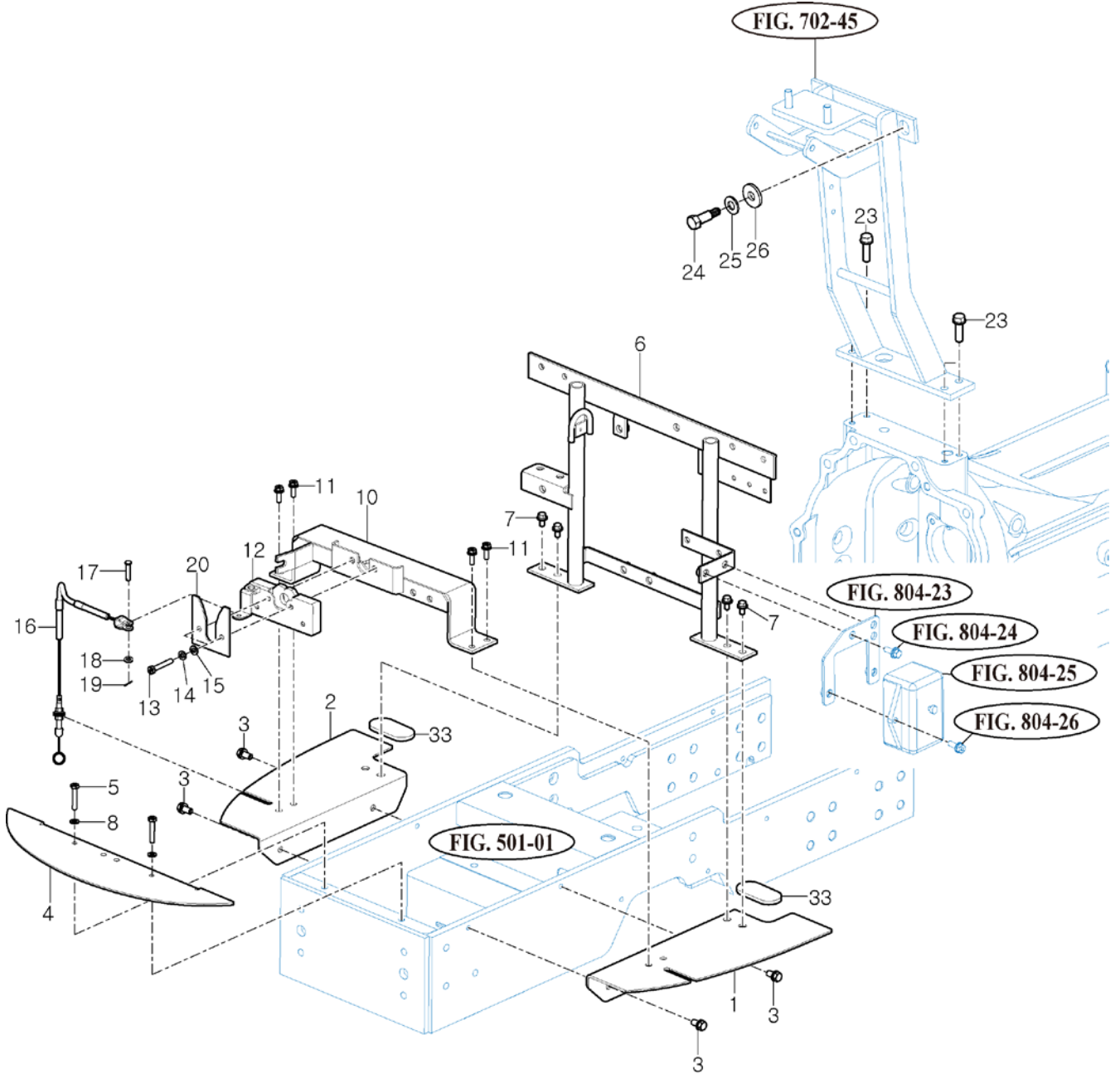
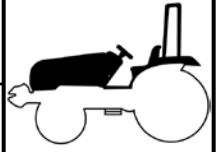
RK37S

HOOD (1)

P1

Year

2017



NOTE

FIG 702

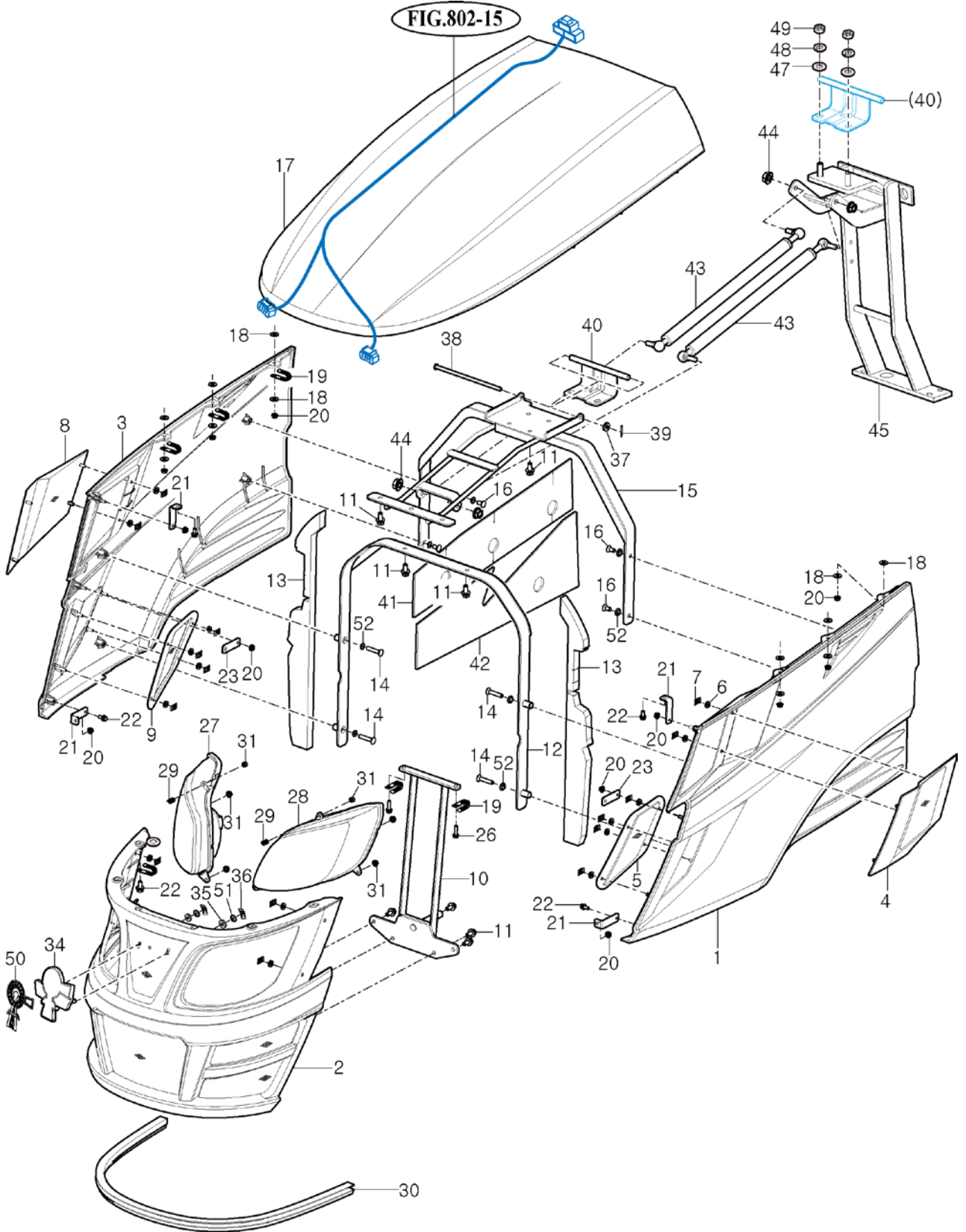
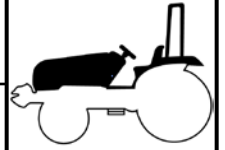
RK37S

HOOD (2)

P1

Year

2017



NOTE

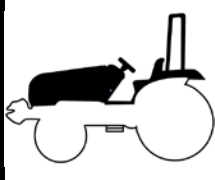
FIG 702		BONNET			P1	Year	
RK37S						2017	
KEY NO.	PART NO.	DESCRIPTION	SPEC.	QTY.	REPAIR	EFFECTIVE DATE	REMARKS
702 001	17406203300KR	COVER COMP , SIDE/LH		1			
702 002	17406203200GB	GRILLE COMP		1			
702 003	17406203400KR	COVER COMP , SIDE/RH		1			
702 004	17406203500GB	NET , UPR/LH		1			
702 005	17406203600GB	NET , LOW/LH		1			
702 006	14446010150	WASHER , NET		16			
702 007	V3501600060	NUT, PUSH-ON SPRING		16			
702 008	17406203700GB	NET , UPR/RH		1			
702 009	17406203800GB	NET , LOW/RH		1			
702 010	17406202500GB	Pln COMP , HOODLOCK		1			
702 011	V2183608020	BOLT , HEX/SP		13			
702 012	17406202300GB	FRAME COMP , HOOD/FR		1			
702 013	17406202430	INSULATOR , SIDE FR		2			
702 014	V1122608040	SCREW , C/R FLAT		4			
702 015	17406202700GB	FRAME COMP , HOOD/RR		1			
702 016	V1122608016	SCREW , C/R FLAT		4			
702 017	17406203100KR	HOOD COMP		1		~2018.06.30	
702 017	17406203101KR	HOOD COMP		1		2018.07.01-	
702 018	35605033020	WASHER , WIRE WITHDRAWAL		12			
702 019	37371720090	CLAMP , W/HARNESS		6			
702 020	V3802600060	NUT , HEX FLANGE	M6	14			
702 021	17406203010GB	PLATE , UPR/SIDE		4			
702 022	V2123606016	BOLT , HEX /SP	M6X16	8			
702 023	17406203020GB	PLATE , MID/SIDE		2			
702 026	V2123606025	BOLT , HEX /SP		2			
702 027	17406525001	HEAD LAMP ASSY , RH		1			
702 028	17406524001	HEAD LAMP ASSY , LH		1			
702 029	36108010080	SPRING , ENTRANCE FOR SEED(HC0		2			
702 030	17406203900	INSULATOR , HOOD		1			
702 031	19027210060	NUT , NYLON , M6		6			
702 034	10529010110	EMBLEM , BASE/RK37		1			
702 035	14446010150	WASHER , NET(6X14X3)		2			
702 036	V3501600060	NUT, PUSH-ON SPRING		2			
702 037	V4111600080	WASHER , PLAIN	M8	1			
702 038	13016202060	HOOD PIN		1			
702 039	V5001925020	PIN D2.5x20		1			
702 040	13016202803GB	PLATE COMP , HOOD HINGE		1		~2018.06.30	
702 040	13016202804GB	PLATE COMP , HOOD HINGE		1		2018.07.01-	
702 041	17406202420	INSULATOR , SIDE RR/LH		1			
702 042	17406202411	INSULATOR , HOOD		1			
702 043	17406202900	GAS SPRING , HOOD		2			
702 044	V3802600080	NUT , HEX FLANGE	M8	4			
702 045	17406022100GB	FRAME COMP , HOOD		1			
702 047	V4111600100	WASHER , PLAIN	M10	2			
702 048	V4011600100	WASHER , SPRING	M10	2			
702 049	V3043600100	NUT , HEX/2	M10	2			
702 050	10519010010	EMBLEM WINDMILL		1			
702 051	V4111600060	WASHER , PLAIN		2			
702 052	13836202450	TOOTHED LOCK WASHER		8		2018.12.11-	
NOTE							

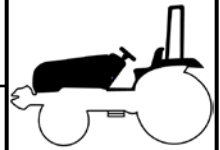
FIG 704

FENDER & REAR FRAME

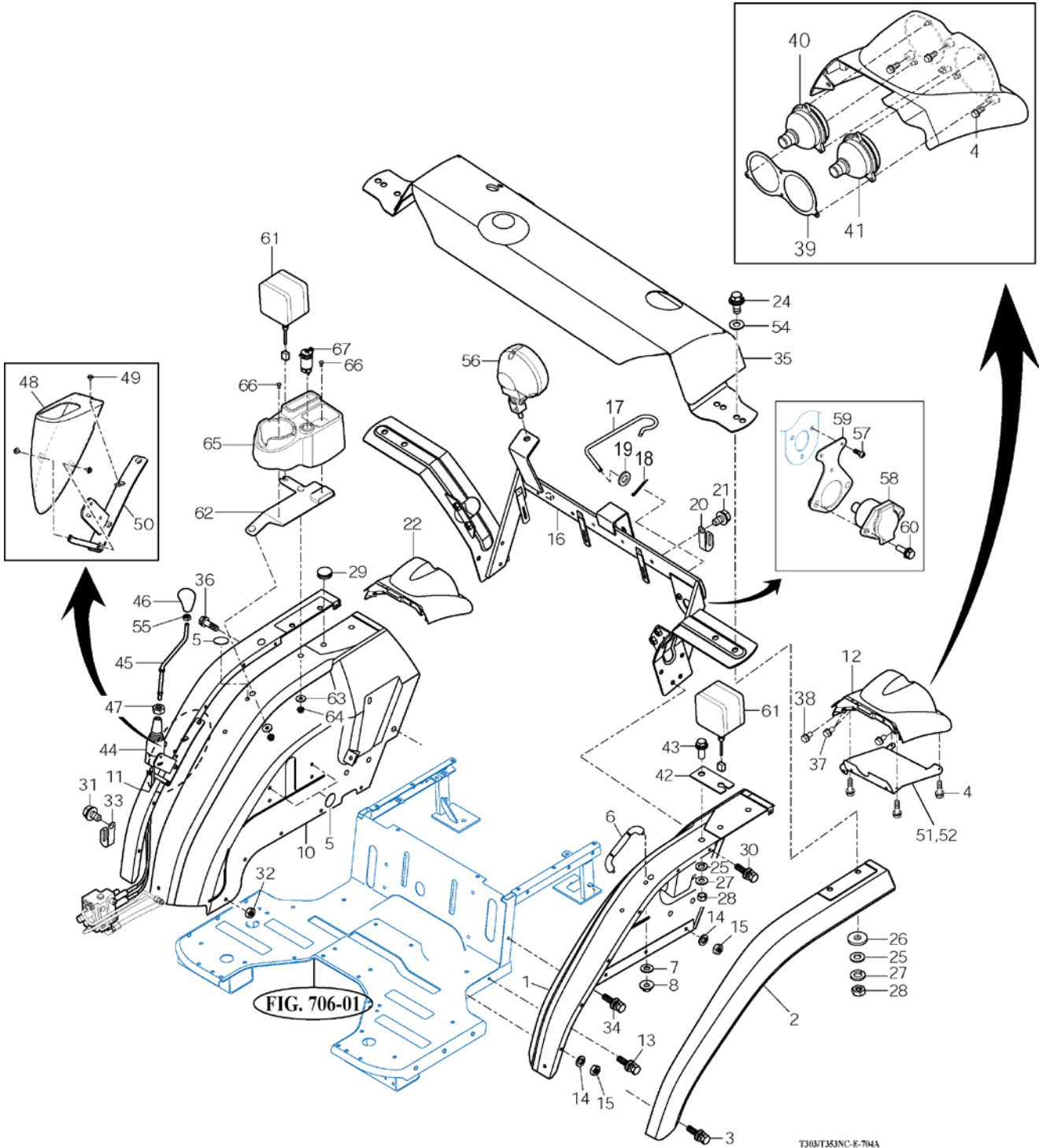
P1

Year

2017



RK37S



NOTE

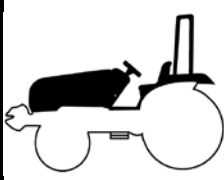
FIG 704		FENDER & REAR FRAME			P1	Year	
RK37S						2017	
KEY NO.	PART NO.	DESCRIPSTION	SPEC.	QTY.	REPAIR	EFFECTIVE DATE	REMARKS
704 001	14726063502KR	FENDER COMP , LH		1			
704 002	12656060040KR	FENDER , LH		1			
704 003	V2193606016	BOLT , HEX/SPL	M6X16	12			
704 004	V2123606012	BOLT , HEX /SP	M6X12	14			
704 005	16606070031	CAP , 9		10			
704 006	14726071100	GRIP COMP		1			
704 007	35602010150	WASHER , BIND SHAFT	T=2.3	4			
704 008	V3802600080	NUT , HEX FLANGE		4			
704 010	14726063602KR	FENDER COMP , RH		1			
704 011	10526060020KR	FENDER , RH MUD GUIDE		1			
704 012	13016060020	COVER ,LH RR LAMP		1			
704 013	V2183608020	BOLT , HEX/SP	M8X20	8			
704 014	V4011600080	WASHER , SPRING	M8	4			
704 015	V3042600080	NUT , HEX/2	M8	4			
704 016	14977035400KR	FRAME COMP , RR FUEL TANK		1			
704 017	14885251100	HOOK , TOPLINK		1			
704 018	V5001920015	PIN , SPLIT	2X15	1			
704 019	V4111600060	WASHER , PLAIN	M6	1			
704 020	14256210040	CLAMP , HARNESS		1			
704 021	V2123606012	BOLT , HEX /SP	M6X12	1			
704 022	13016060030	COVER , RH RR LAMP		1			
704 024	V2173612035	BOLT , HEX/S	M12X35	4			
704 025	V4111600120	WASHER , PLAIN	M12	5			
704 026	36217020030	WASHER , PULLEY		4			
704 027	V4011600120	WASHER , SPRING	M12	5			
704 028	V3043600120	NUT , HEX/2	M12	5			
704 029	14326510210	CAP , RUBBER 20		2			
704 030	V2183608020	BOLT , HEX/S	M8X20	4			
704 031	V2183608020	BOLT , HEX/SP	M8X20	1			
704 032	V3042600080	NUT , HEX/2	M8	1			
704 033	14256210040	CLAMP , HARNESS		1	C		
704 034	V2183608035	BOLT , HEX/SP	M8X35	2			
704 035	14777036302KR	COVER COMP , TANK		1			
704 036	V2183610020	BOLT , HEX/SP	M10X20	2			
704 037	V2323606016	BOLT , C/R HEX/SP		6			
704 038	V2193606020	BOLT , HEX/SPL		2			
704 039	13016061300	FIX PLATE , RR LAMP		2			
704 040	17687023401	LAMP ASSY . STOP		2			
704 041	14527023300	LAMP ASSY , RR COMBINATION		2			
704 042	13016640010GB	PLATE , LAMP		2		~2017.08.31	
704 042	13016640010GB	PLATE , LAMP		1		2017.09.01~	
704 043	V2173612030	BOLT , HEX/S	M12X30	2		~2017.08.31	
704 043	V2173612030	BOLT , HEX/S	M12X30	1		2017.09.01~	
704 044	13015504005	JOYSTICK ASSY		1			
704 045	12396013900GB	LEVER COMP , JOYSTICK		1			
704 046	19027750021	GRIP , JOYSTICK		1			
704 047	V3302600140	NUT , HEX FINE/1	M14	1			

FIG 704

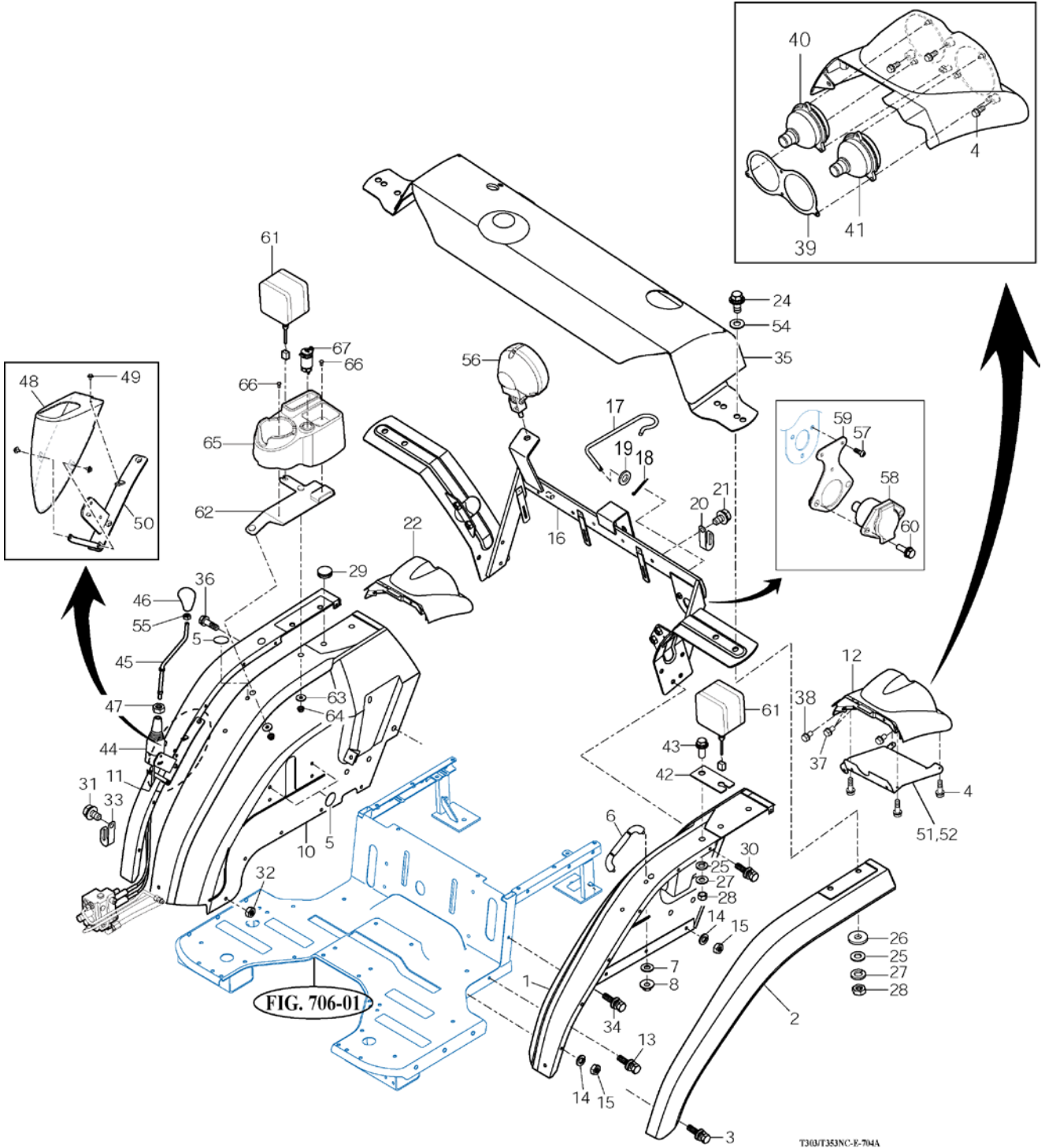
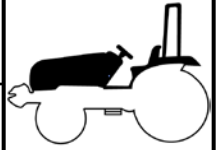
RK37S

FENDER & REAR FRAME

P2

Year

2017



NOTE

FIG 705

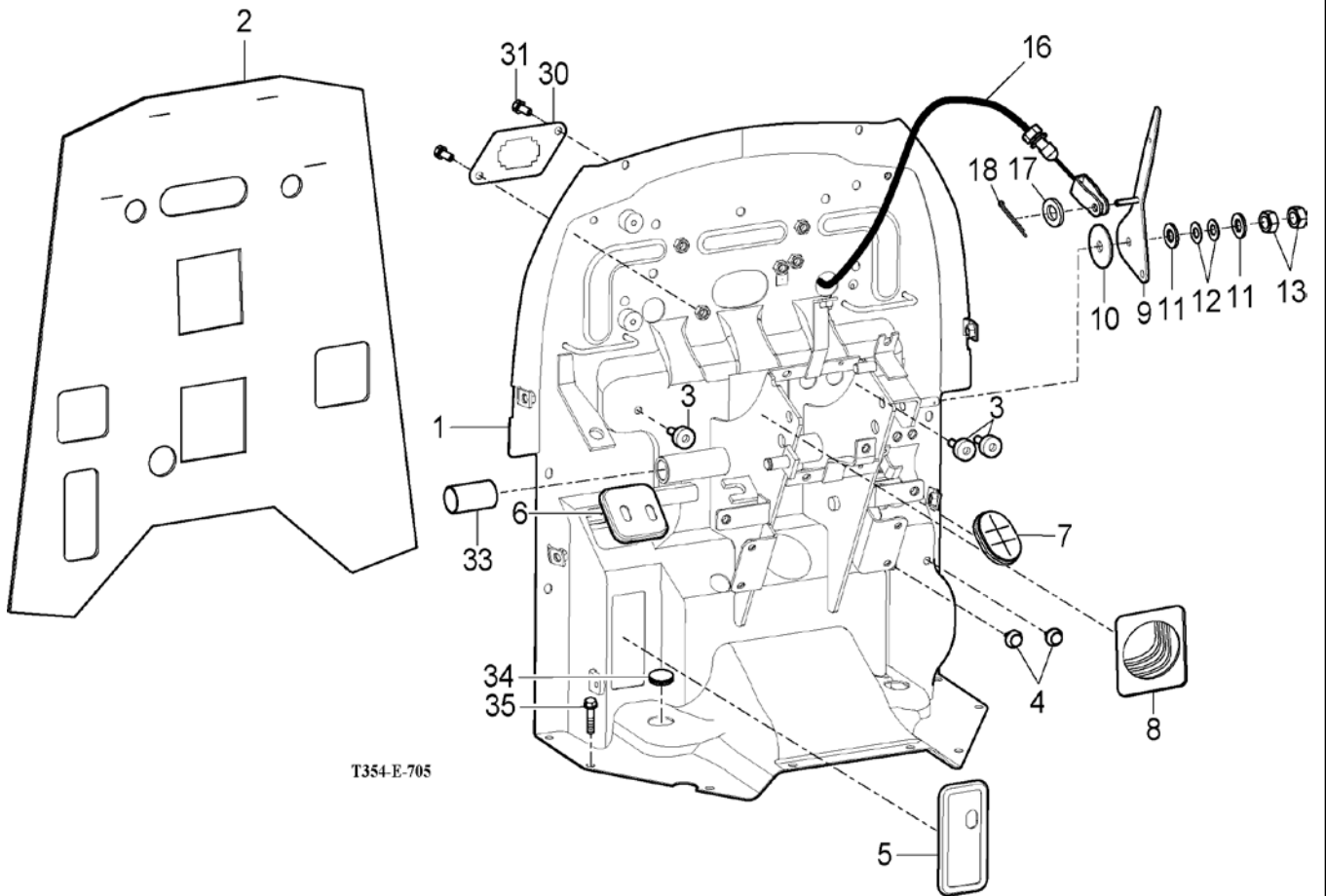
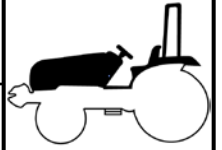
RK37S

DASHBOARD

P1

Year

2017



T354-E-705

NOTE

FIG 706

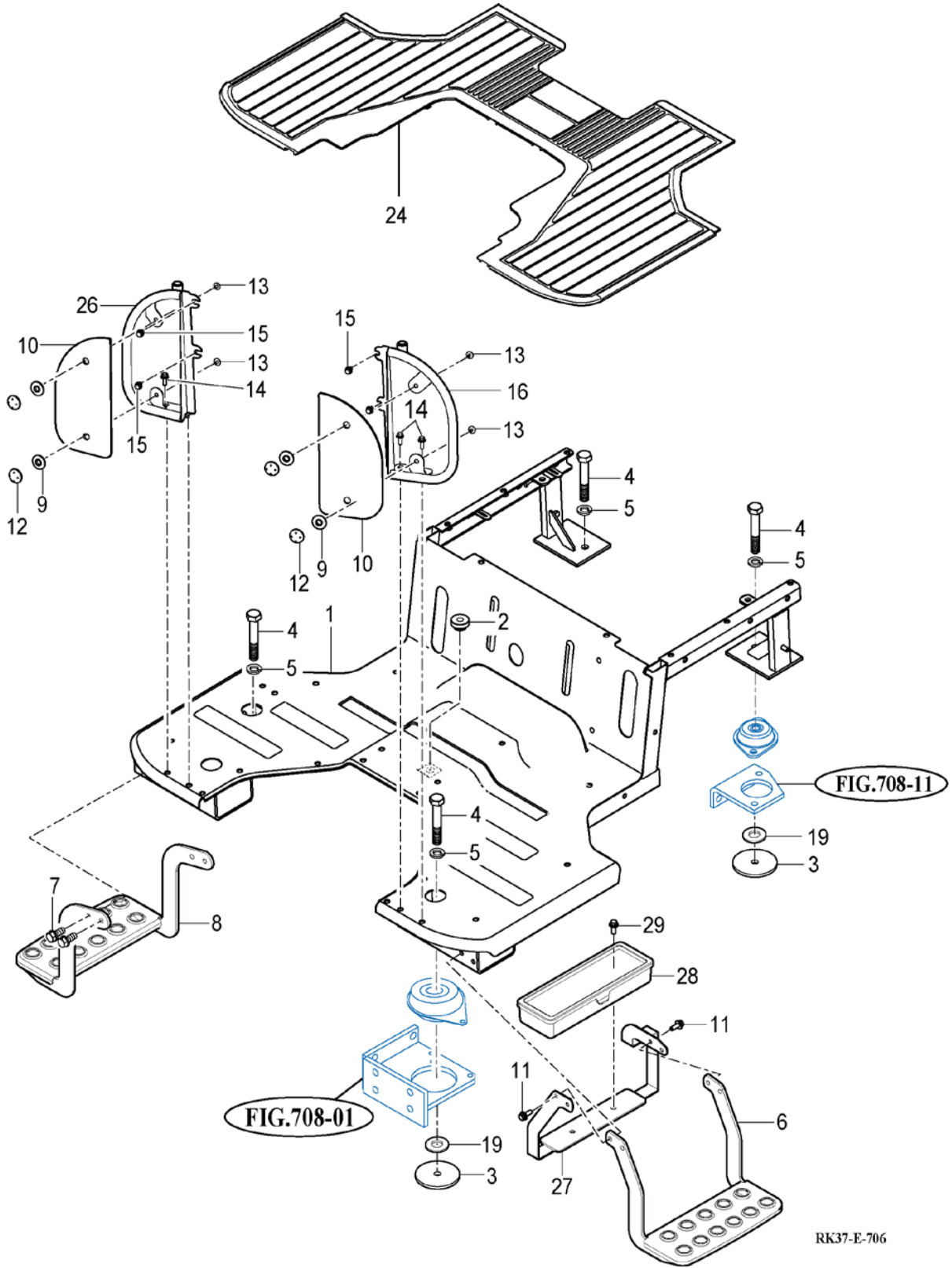
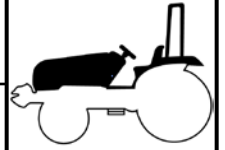
RK37S

FLOOR PANEL

P1

Year

2017



RK37-E-706

NOTE

FIG 707

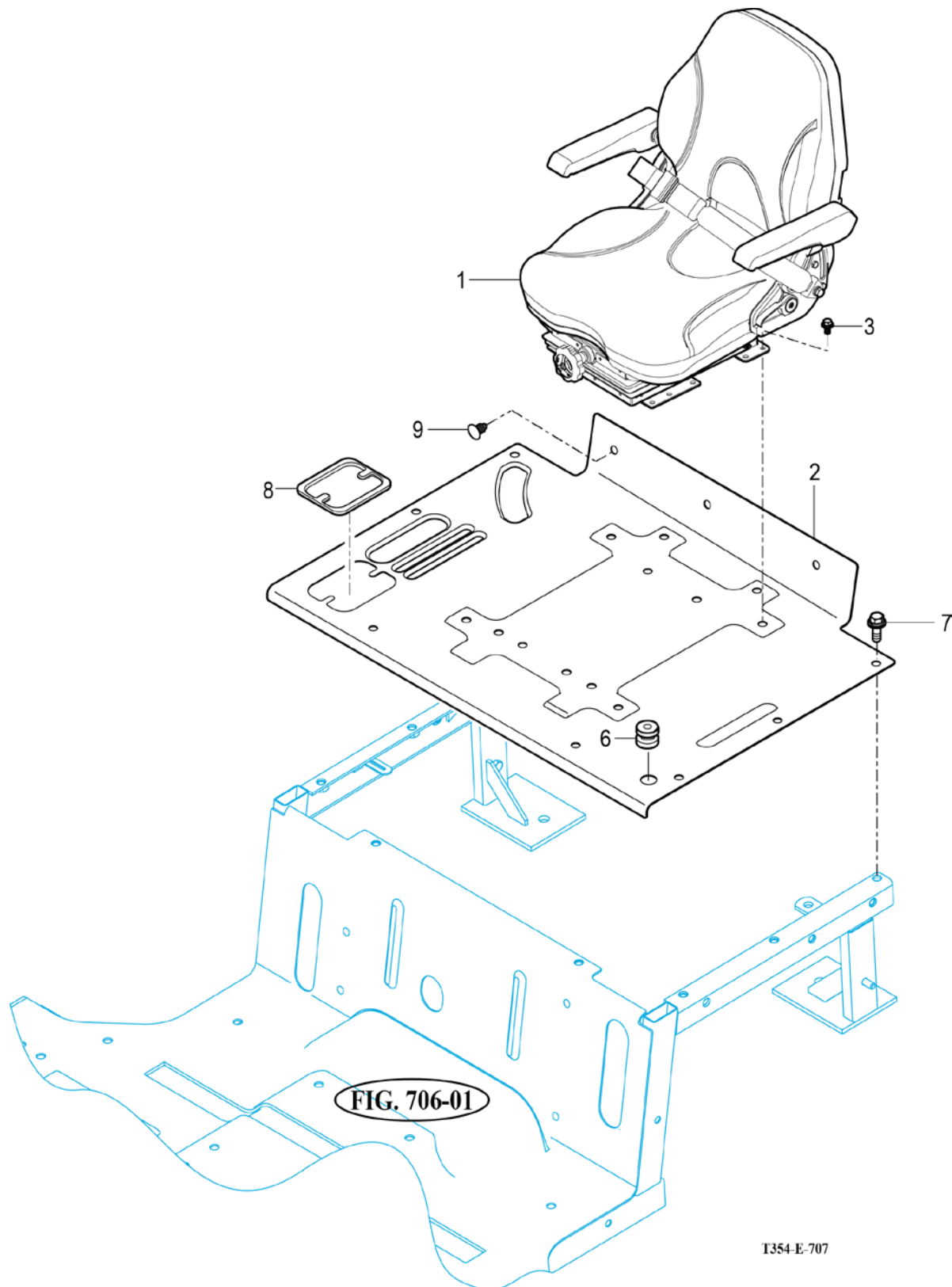
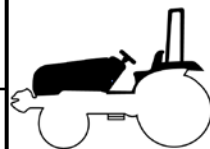
RK37S

SEAT

P1

Year

2017



NOTE

FIG 708

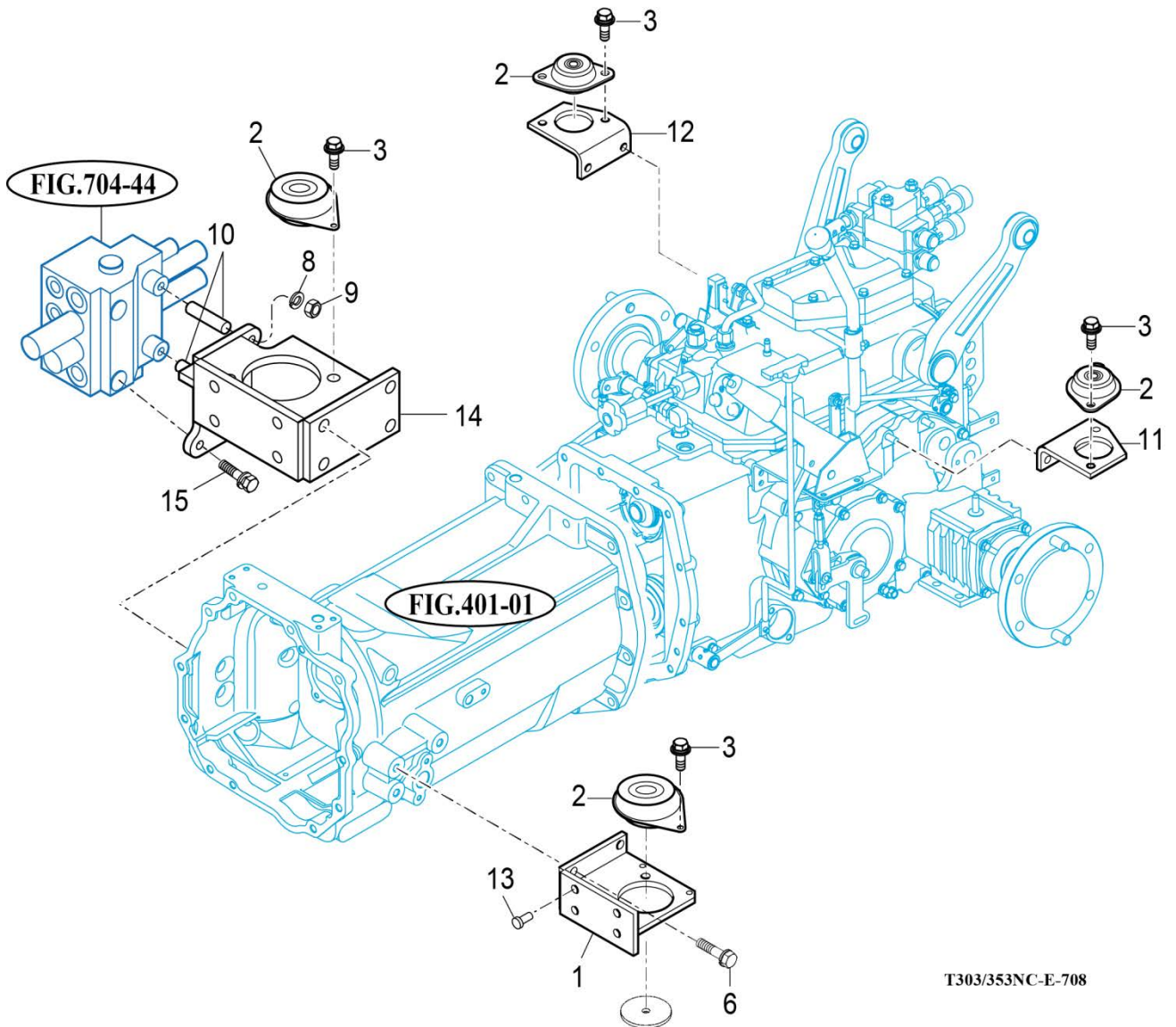
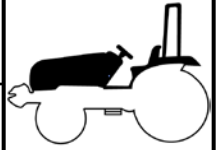
RK37S

FRONT & REAR MOUNTING

P1

Year

2017



T303/353NC-E-708

NOTE

FIG 709

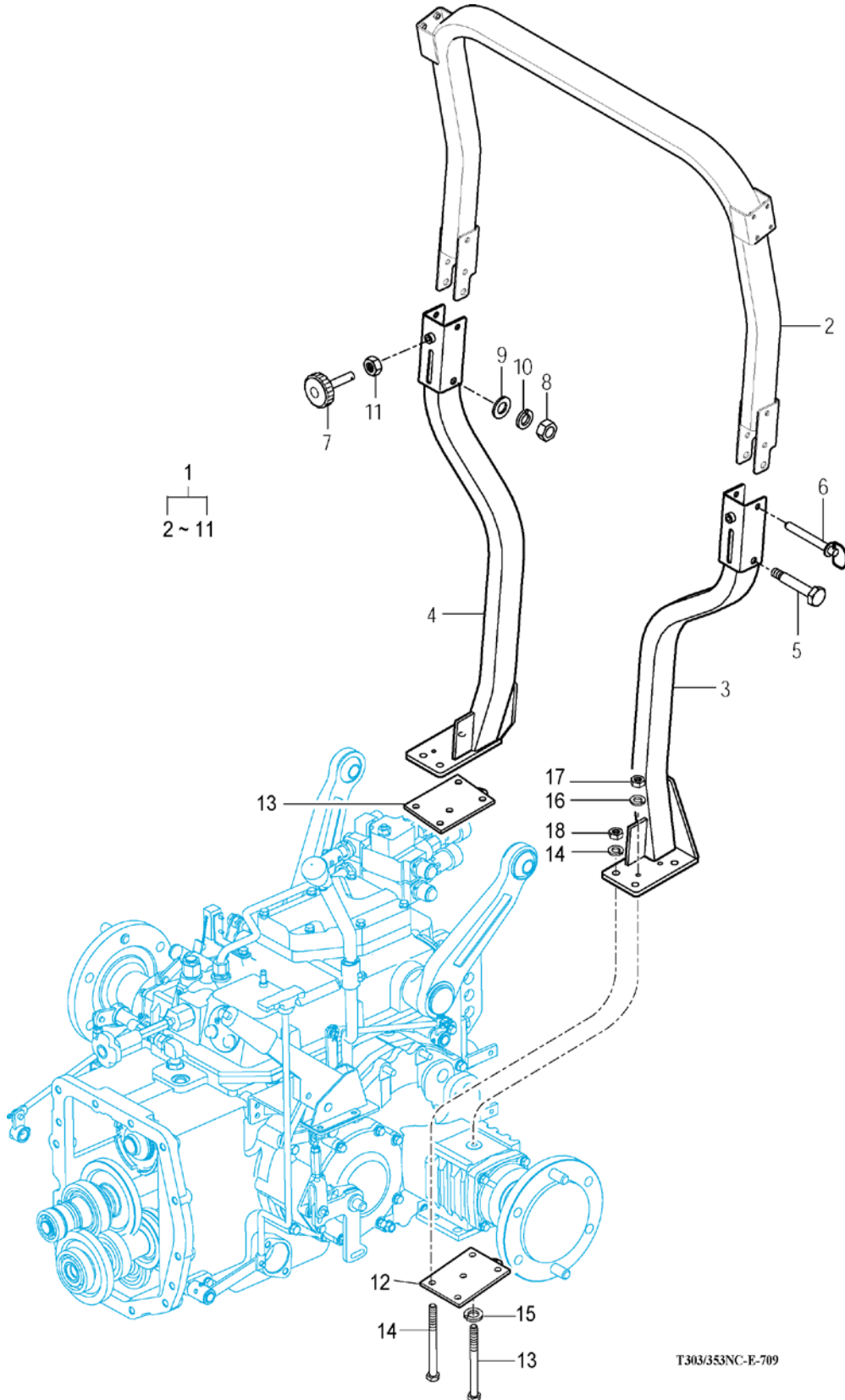
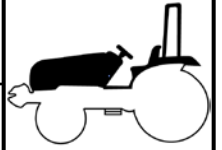
RK37S

ROPS

P2

Year

2017



T303/353NC-E-709

NOTE

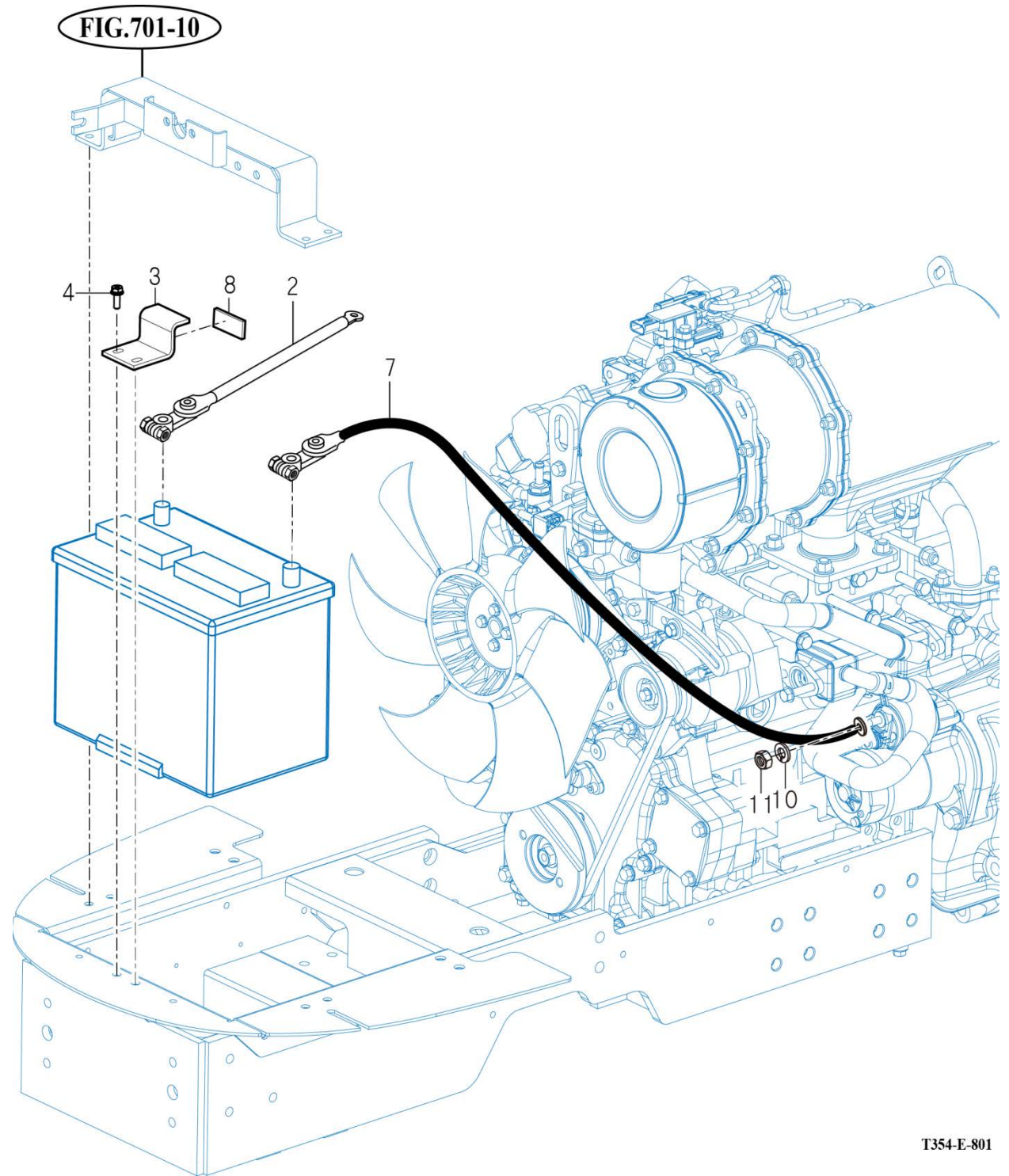
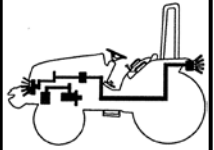
FIG 801

BATTERY & MOUNTING

P1

Year

2017



T354-E-801

NOTE

FIG 802

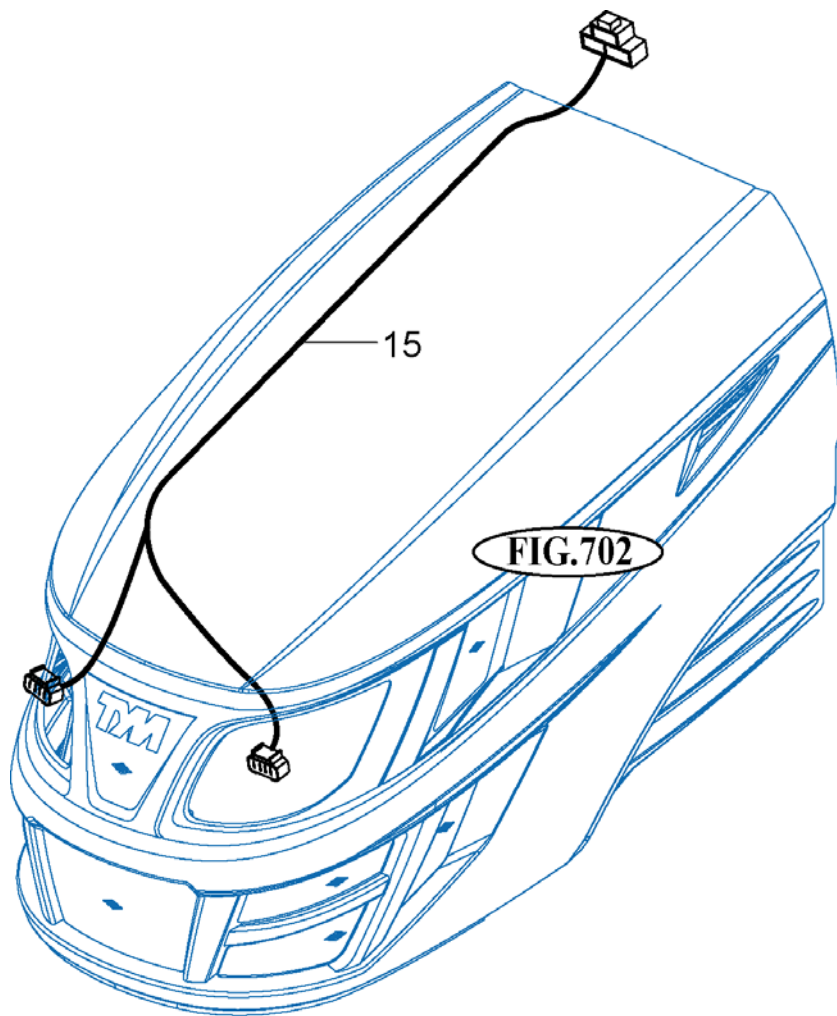
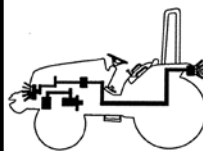
RK37S

LAMP

P1

Year

2017



NOTE

FIG 803

RK37S

INSTRUMENT PANEL

P1

Year

2017

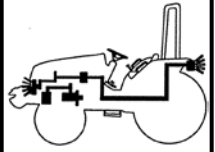
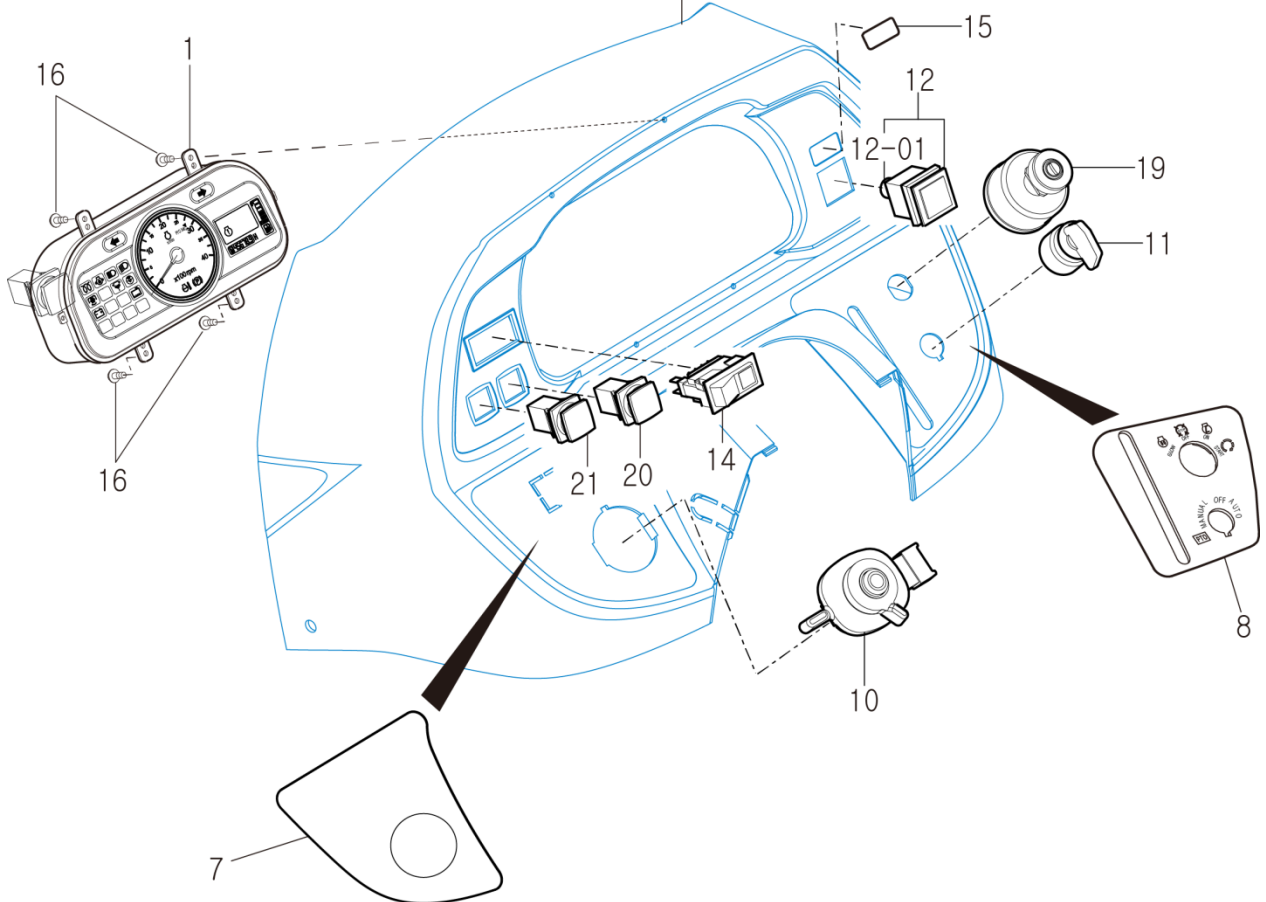
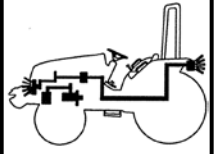


FIG. 308-09

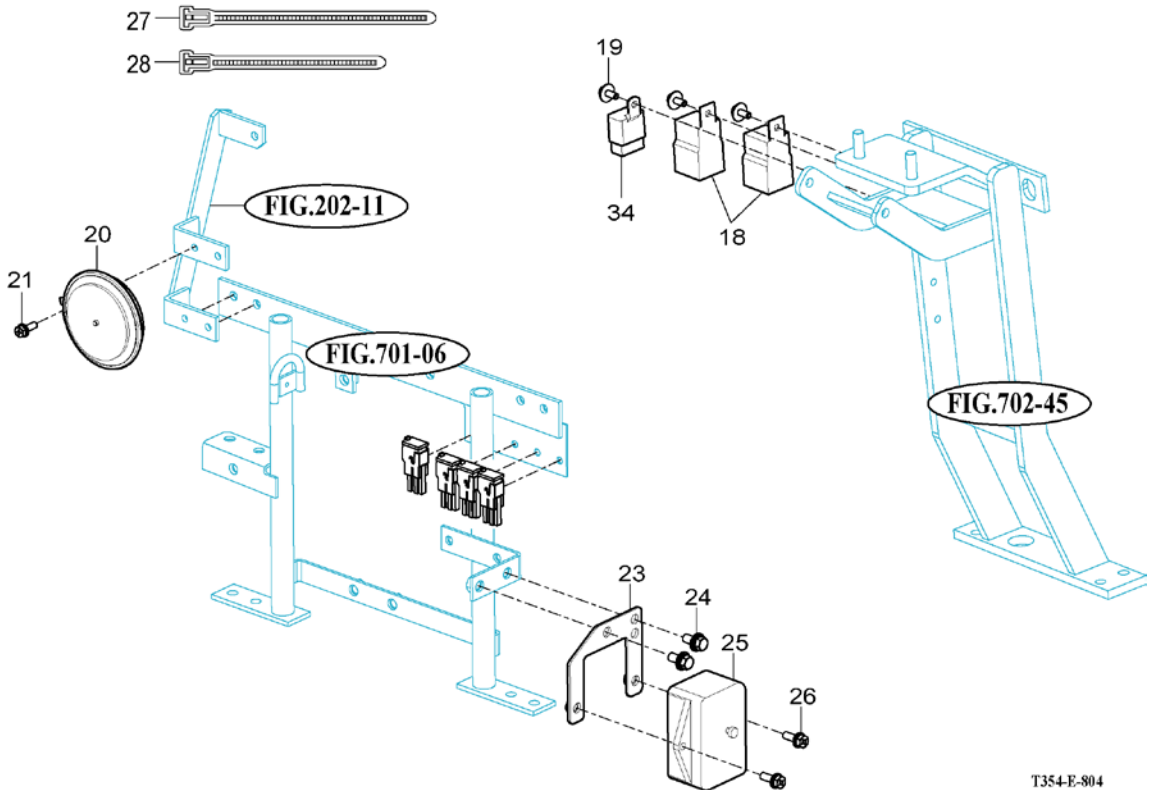
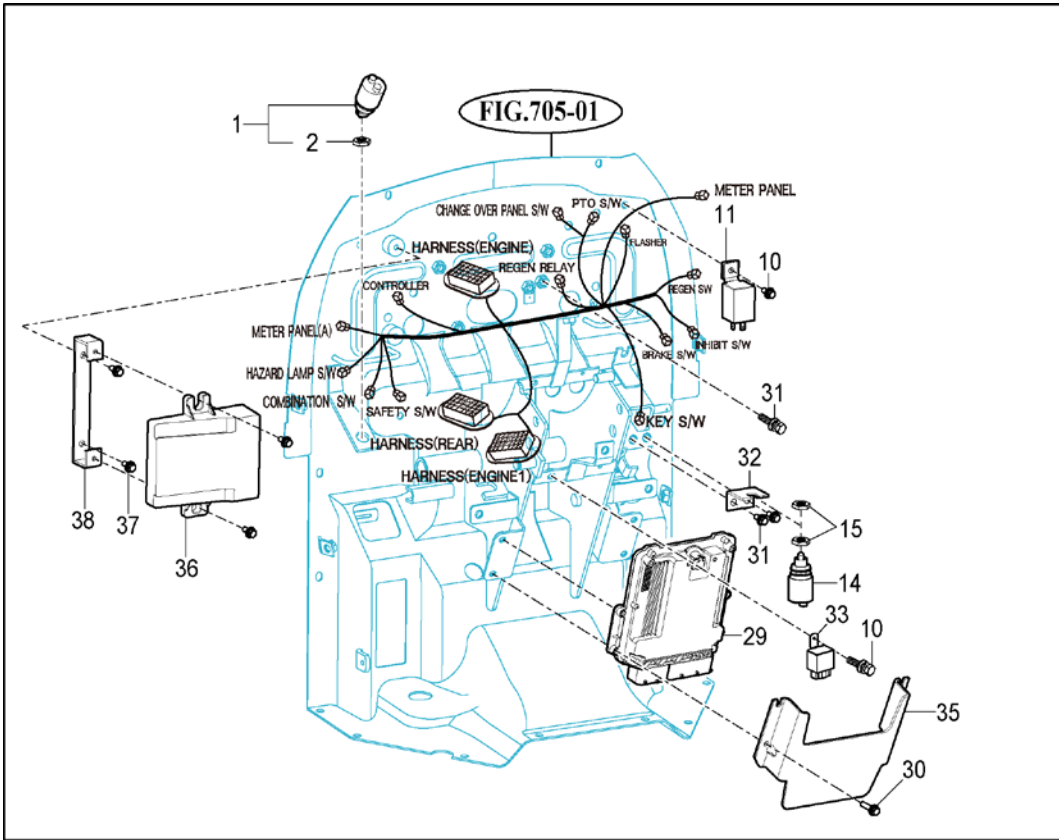


T354-E-803

NOTE



RK37S



T354-E-804

NOTE

FIG 805

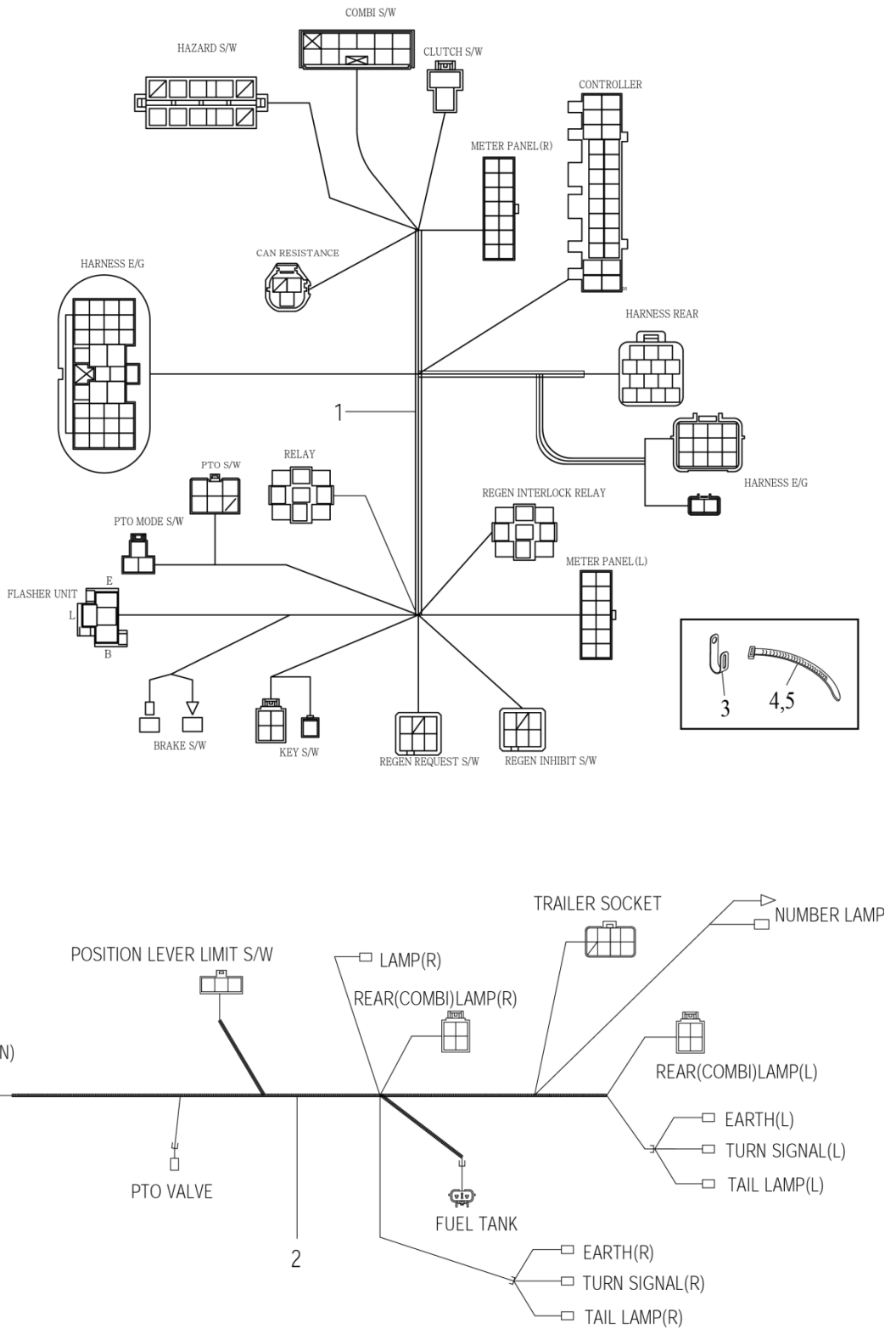
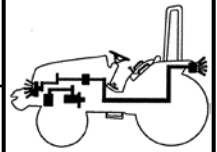
RK37S

HARNESS (1)

P1

Year

2017



T354NC-E-805

NOTE

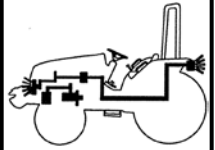
FIG 806

HARNESS (2)

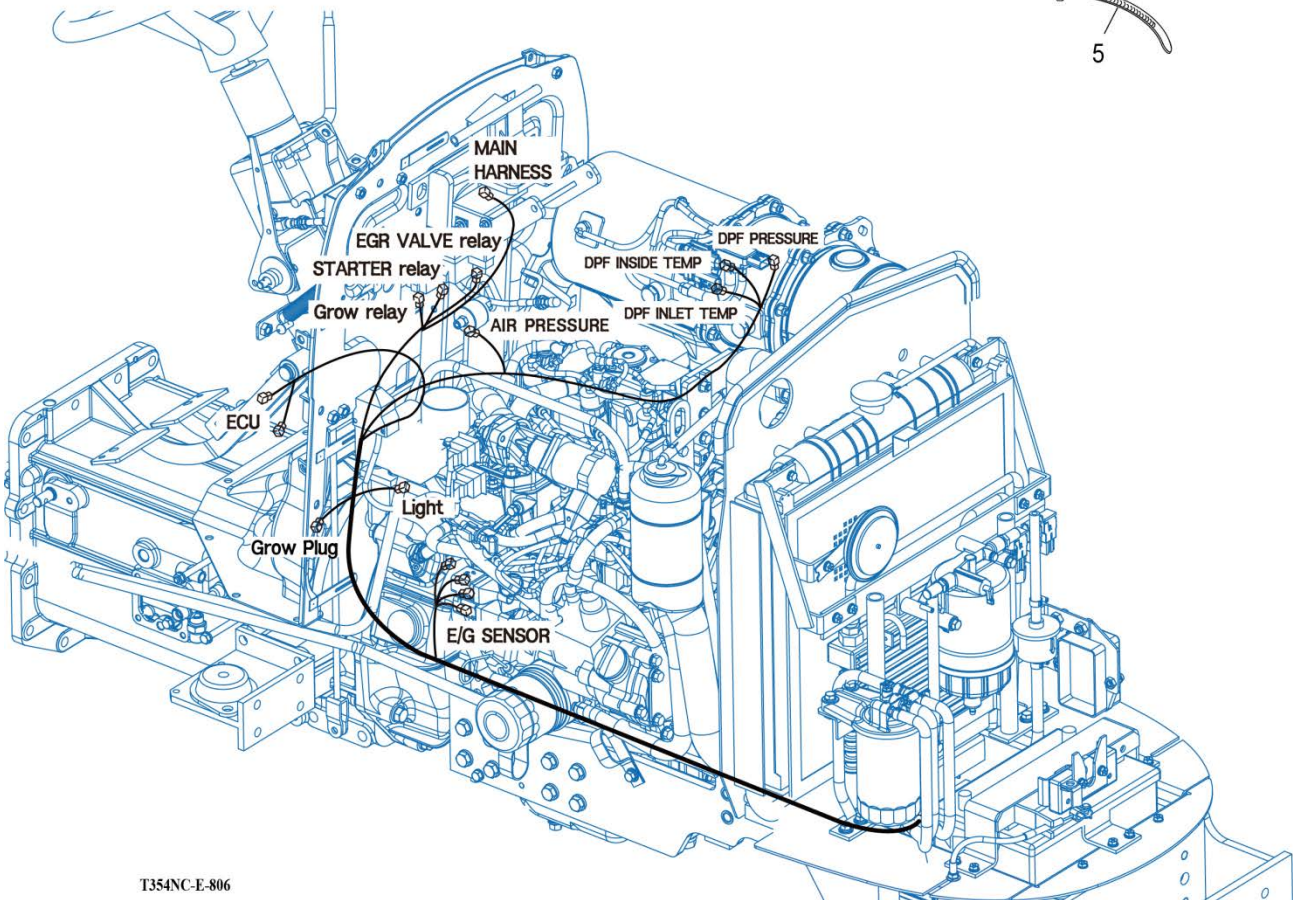
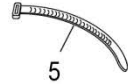
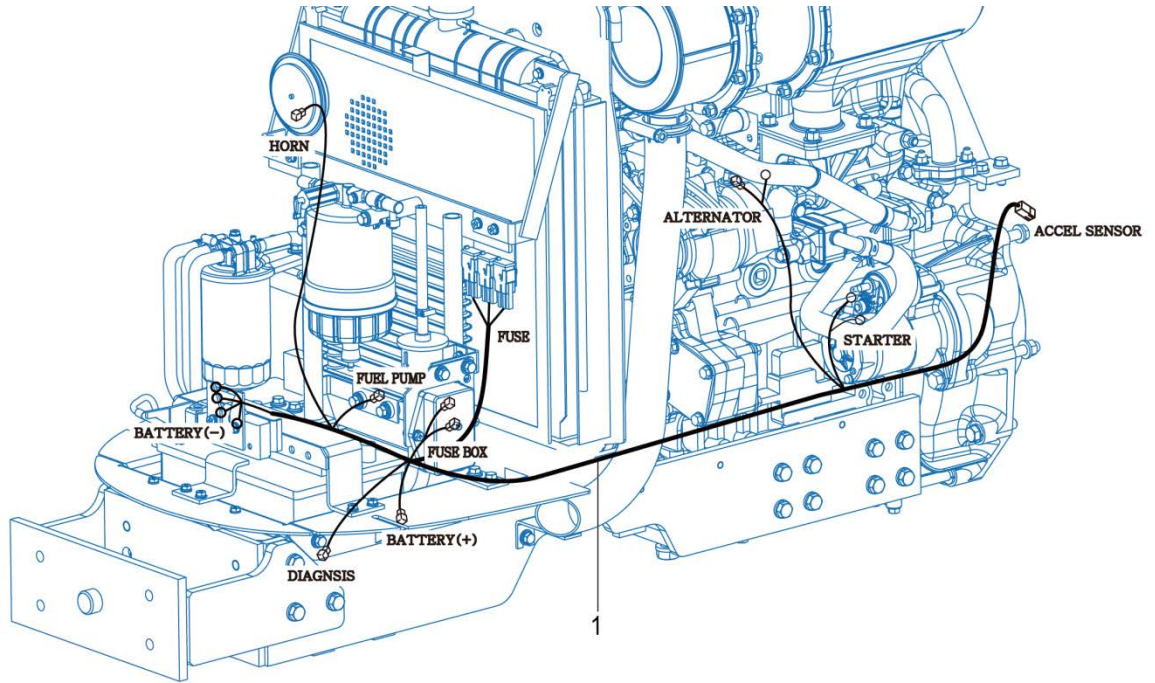
P1

Year

2017



RK37S



T354NC-E-806

NOTE

FIG 901

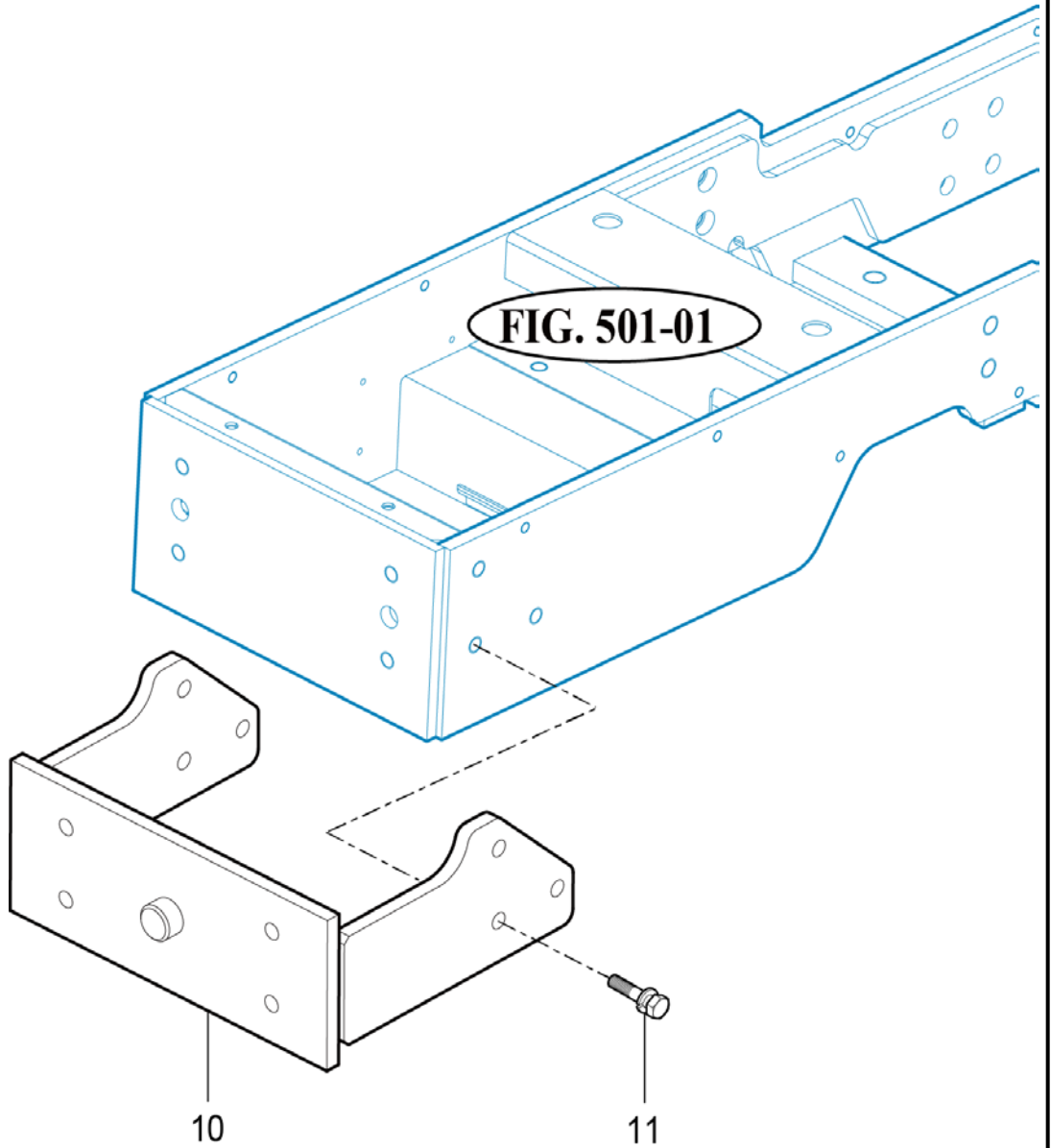
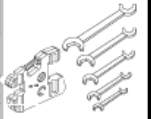
RK37S

WEIGHT(OPTION)

P1

Year

2017



T354-E-901

NOTE

FIG 902

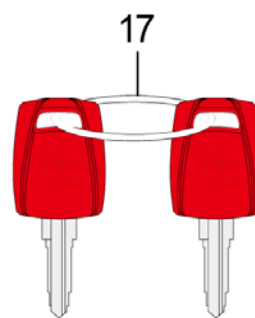
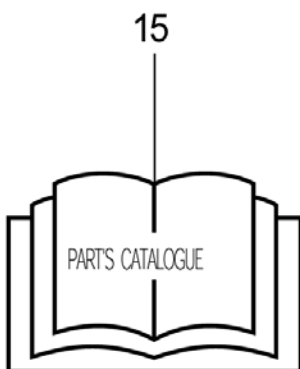
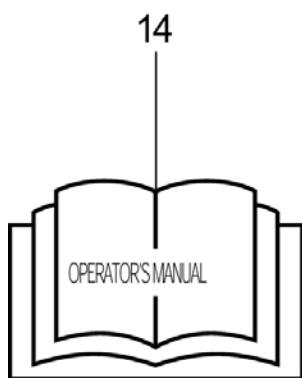
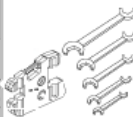
RK37S

TOOL & ACCESSORY

P1

Year

2017



RK34-E-902

NOTE

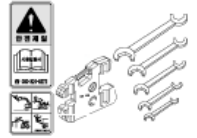
FIG 903

LABEL

P1

Year

2017



RK37S

WARNING

Death or injury may result if this tractor over turns with the ROPS in the folded down position. Operate this tractor with the ROPS folded down only when necessary. Do not wear seat belt if operated with ROPS folded down

1220-904-922-0

35

DANGER

This Tractor may tip over unexpectedly and quicker than an operator is able to jump free

1. Never operate a tractor without a proper Roll over Protection Structure (ROPS)
2. Always wear your seat belt when operating this tractor equipped with roll over protection.
3. Never pull from above or from the rear axle.
4. Do not operate the tractor on steep slopes or near drop offs
5. Avoid sharp high speed turns

Serious injury or death may result from tractor upsets.

1220-904-901-0

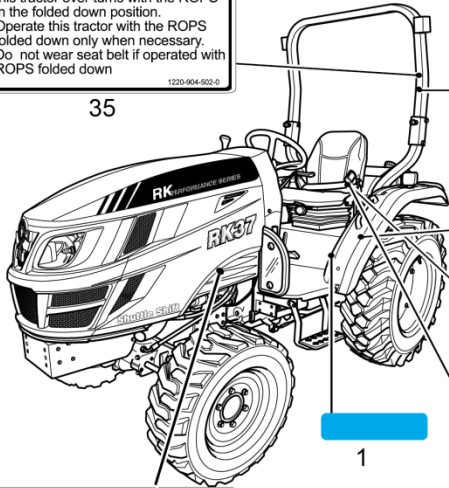
36

SPEED TABLES

APPLICATION	TRENCHER PLANTER	W/A W/A/D	PLUG /W/DR	W/DR /W/DR	W/DR /W/DR	W/DR /W/DR	DRIVE
SPEED (km/h)	0	1	2	3	4	5	10 20 30
E/G:3000rpm							
MAIN SHIFT	1	2	3	4	1	2	3
SUB SHIFT	L	M	H				

• The proper driving speed and PTO RPM depend on the type of appls, tires and ground condition.
For your safety, operate the tractor at the suitable speed.

2



WARNING

Do not use the sub shift lever at "H" position when driving backward.

1220-910-001-0

11

DANGER

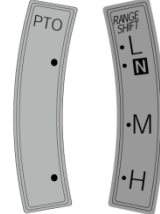
Do not ride except operator.

1220-910-016-0

13



18



21

27

CAUTION

Do not touch while the system is hot. It cause serious burns

1220-910-024-0

11

RK37

29

WARNING

Work in ventilated Area.

1220-910-003-0

12

Shuttle Shift

49

WARNING

Additions, alterations, cracking, damage or corrosion to this structure may adversely affect the performance of the ROPS.

46



03

Rural King

MODEL _____

TYPE _____

ENGINE _____

SERIAL NO. _____

MANUFACTURER: TONG YANG MOOLSAN CO., LTD

THIS PRODUCT IS MADE IN KOREA

41



24



42



43

WARNING

Always fasten Your seat belt.

1220-910-019-0

15

WARNING

Never use the diff-lock at high speed or on the road as this can cause rollover and injury.

1220-910-006-0

19

WARNING

Do not remove radiator cap while engine is hot. Hot steam will injure you.

1220-910-015-0

8

WARNING

- Start engine only from operators seat. If safety start switch is by passed engine can start with transmission in gear.
- Do not connect or short across terminal on starter solenoid.
- Attach booster cables as shown on battery decal and operators manual.

Starting in gear causing runaway can result in serious injury.

44

WARNING

LOCK ↔ UNLOCK

LOCK BUTTEN

Push the butten to lock position with joystick lever is neutral whenever the implement is not operation.

1220-910-008-0

37

EPA REGULATION

USE ULTRA LOW SULFUR FUEL ONLY

48

WARNING

Stay clear of raised Boom and bucket.

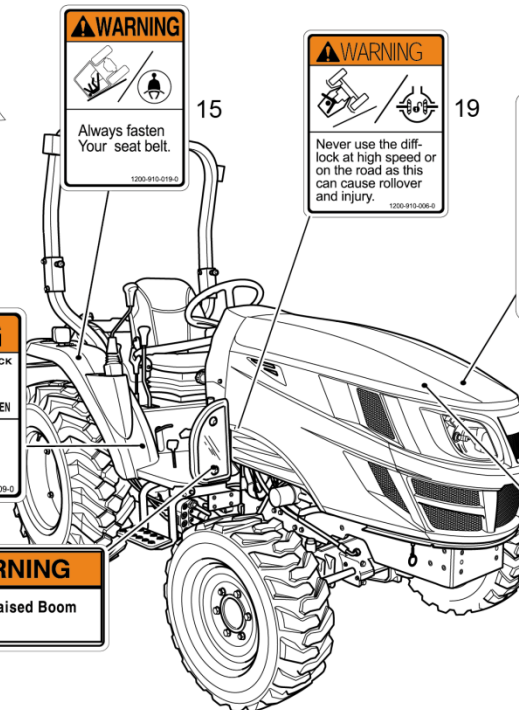
38

CAUTION

Keep hands and clothing away from rotating fan and belts to prevent serious injury.

1220-910-012-0

7



NOTE

FIG 903

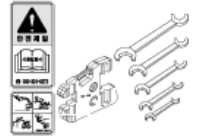
RK37S

LABEL

P1

Year

2017



50



9



6



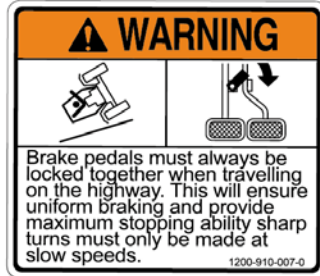
16



14



4



26



40

This ROPS frame was tested in accordance with OECD Standard (Code 7) for use on Rural King tractor models RK37 with a reference mass of 1490KG. Manufactured by TYM KOREA

47



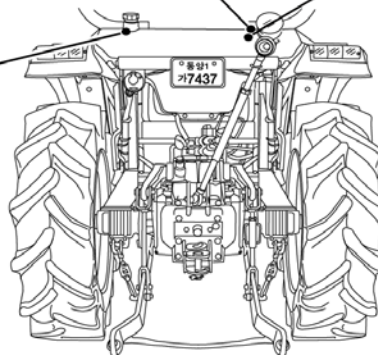
10



20



17



39

NOTE

